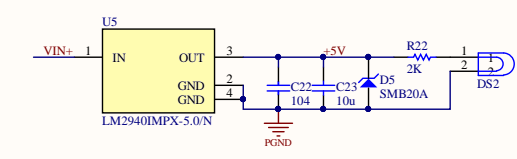
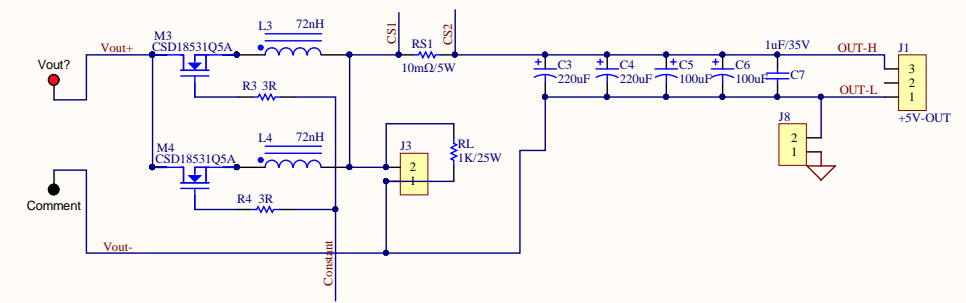
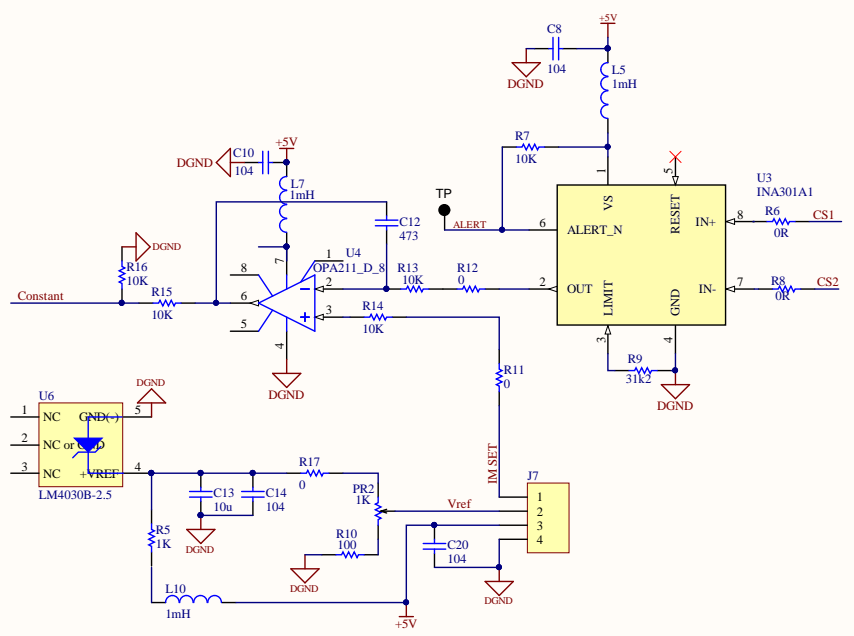


5Vout @ 12A



Title		
Size	Number	Revision
A3		
Date:	2018/1/9	Sheet of
File:	PCB下板电路5V 12A 恒流板	Drawn By SchDoe