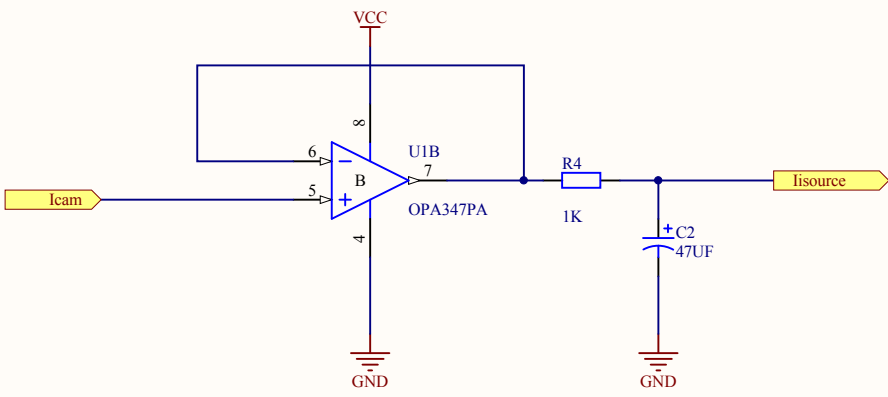
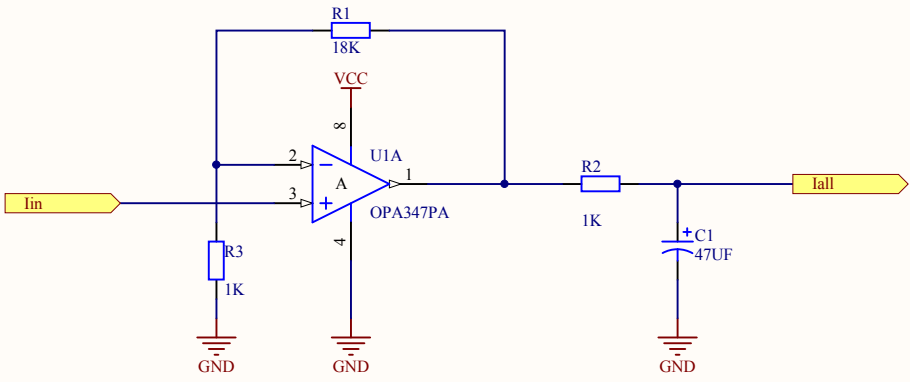
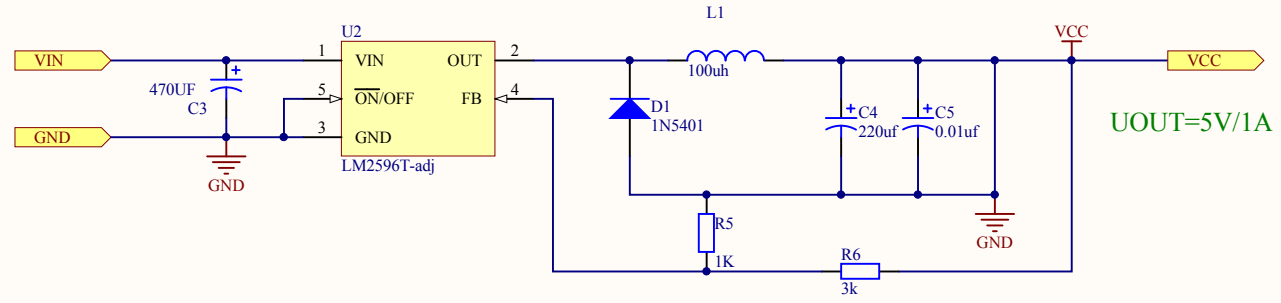


Title		
Size	Number	Revision
A4		
Date:	2012/7/8	Sheet of
File:	D:\AltiumDesignerSummer9\Build9.4.0.2015\Drawings\SchDoc	



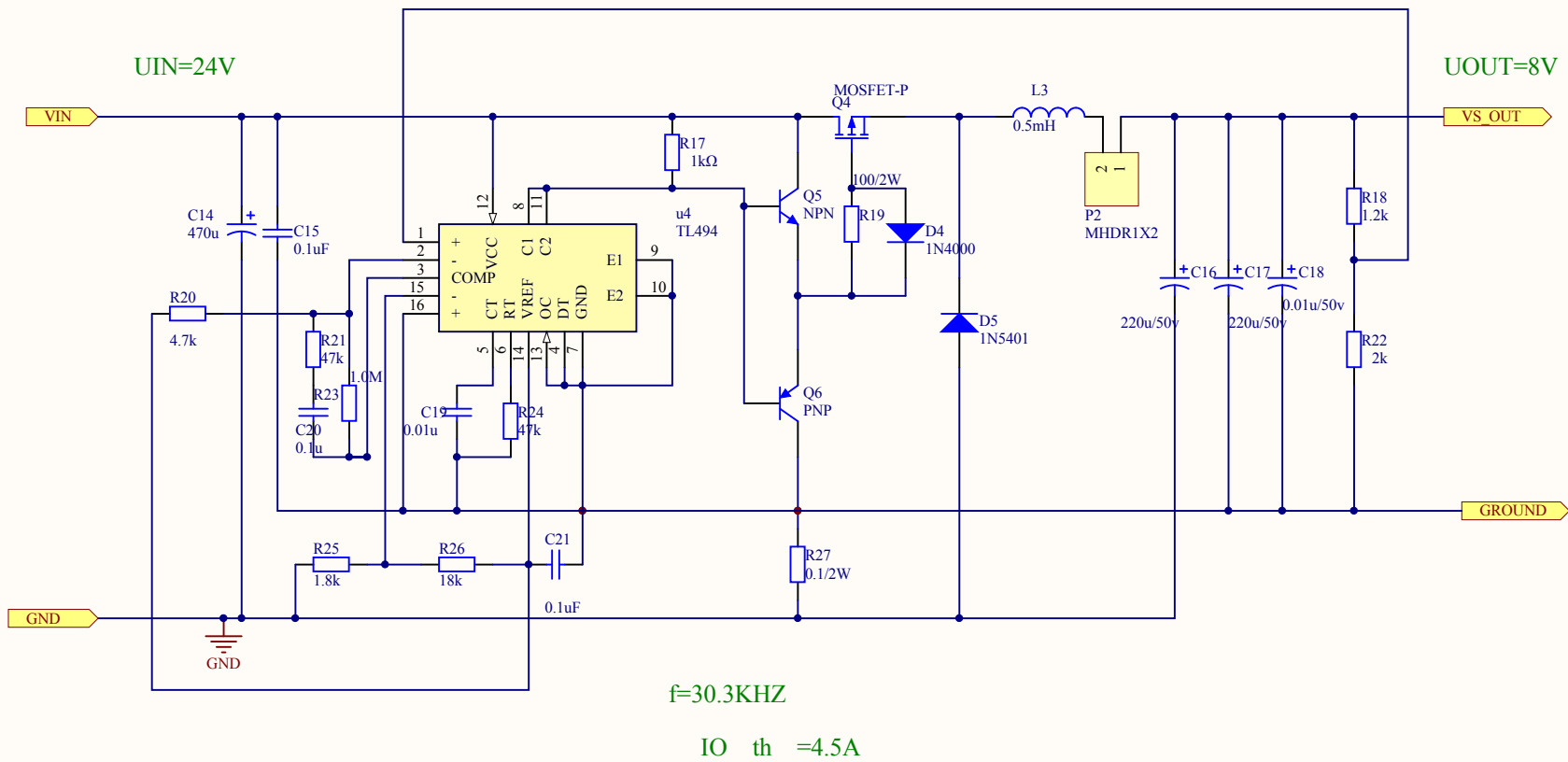
Title		
Size A4	Number	Revision
Date: 2012/7/8	Sheet of	
File: D:\AltiumDesignerSummer9Build9.4.0.2015	Drawn By: .SchDoc	

UIN=24V

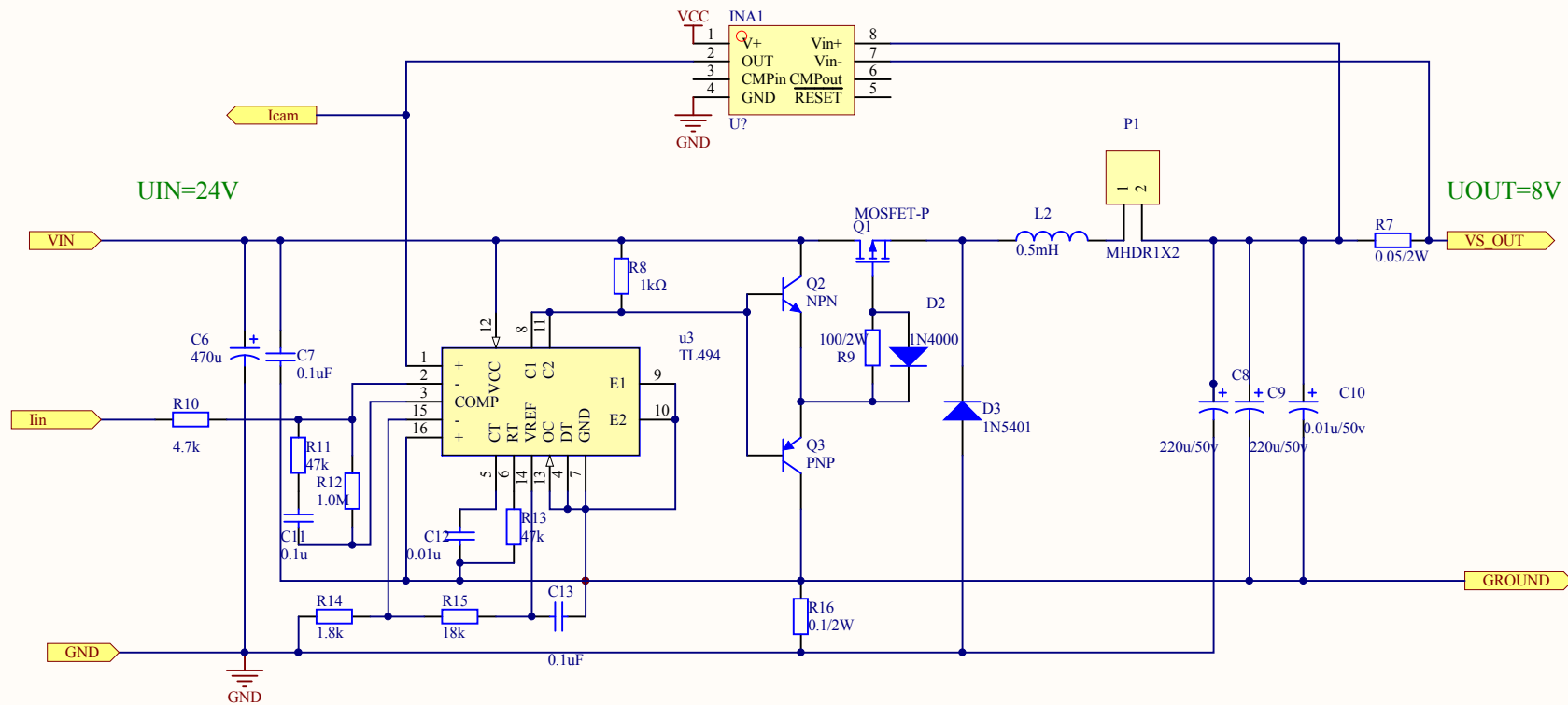


UOUT=5V/1A

Title		
Size A4	Number	Revision
Date: 2012/7/8	Sheet of	
File: D:\AltiumDesignerSummer9Build9.4.0.2015	Drawn By: .SchDoc	



Title		
Size A4	Number	Revision
Date: 2012/7/8	Sheet of	
File: D:\AltiumDesignerSummer9\Build9.4.0.2015\Drawn B8chDoc		



UIN=24V

UOUT=8V

f=30.3KHZ

IO th =4.5A

Title		
Size A4	Number	Revision
Date: 2012/7/8	Sheet of	
File: D:\AltiumDesignerSummer9Build9.4.0.2015	Drawn B8chDoc	