

**LM2841,LM2842,LM3401,LM3402,LM3402HV,
LM3404,LM3404HV,LM3405,LM3405A,LM3406,
LM3406HV,LM3407,LM3409,LM3409HV,LM3421,
LM3423,LM3424,LM3429**

*Application Note 1982 Small, Wide Input Voltage Range LM2842 Keeps LEDs
Cool*



Literature Number: SNVA402

Small, Wide Input Voltage Range LM2842 Keeps LEDs Cool

National Semiconductor
Application Note 1982
Clinton Jensen
July 15, 2009



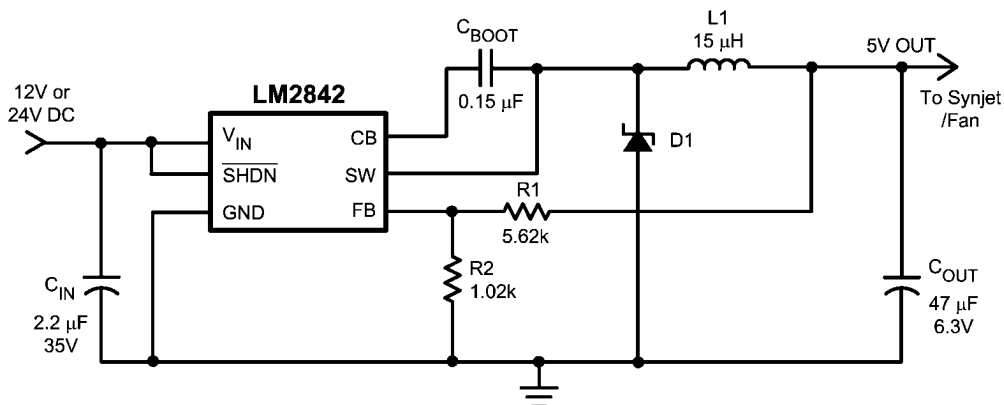
Introduction

The world seems to be poised to make the leap to LED lighting. Incandescent has been deemed too inefficient, which it is, and fluorescent lighting often does not achieve the lifetime it claims. Fluorescent also has another set of baggage, dangerous chemicals. So the logical choice that most people believe can take the crown is HB (high brightness) LEDs. HBLEDs are becoming more attractive as the manufacturers of such devices are making great strides in increasing the lumens per watt that they can produce which improves the efficiency. It will not be long before LEDs produce significantly more lumens per watt than current fluorescent lamps.

Two of the main initial areas of focus for replacement with LED lighting are low voltage down lighting and track lighting. These would include replacements for standard sizes such as MR16, PAR20, PAR25, PAR30, and PAR38. National already offers a variety of solutions for driving multiple LEDs beautifully for such applications including the LM342x and LM340x series of LED drivers. But regardless of how the LEDs are driven they have one issue: They produce heat. In these small enclosures a heatsink with free flowing air is often not enough. This forces the designer of the fixture into a situation where some forced air is required. The most practical solutions for a fixture of such size are either a DC fan or a more elegant and rugged solution provided by the Nuventix, Inc. Synjet®. A fan is generally a more cost effective solution and can run off either 5VDC or 12VDC rail but it can be difficult to fit into these enclosures and has a lifetime measuring in the tens of thousands of hours at best. On the other hand the Synjet is designed specifically to fit into each of these enclosures, runs off of 5VDC, and has a lifespan on the order of 100k hours.

The standard inputs for these systems can be either a DC system or an AC system. 12VAC and 24VAC systems have been common for some time for low voltage lighting, but 12VDC and 24VDC systems are making a push and are becoming more common. Since there are many 12V systems it makes for an easier design to drive a 5V cooling mechanism. But since there are multiple systems that could provide a very wide input voltage range, particularly in the case of the AC inputs, it would be nice to have one solution that could take the wide input range and provide the 5V rail while taking up very little space and could easily fit into such enclosures. Fortunately the LM2842 does this quite nicely as does the LM2841 for the smaller fixtures.

The DC input systems offer the easiest and most simple solution as a regulator with a wide input voltage range can take this voltage directly and convert it to a 5V rail. Typical solutions including both the fan and the Synjet require between 100 mA and 600 mA to power them. The LM2841 can supply up to 300 mA for the smaller cooling systems while the LM2842 can supply up to 600 mA for the larger, more powerful cooling systems. Figure 1 shows the LM2842 designed to take either a 12VDC or 24VDC input and provide the 5V rail necessary. The entire solution for driving up to 600 mA only takes about 1/4 square inch of PCB real estate making it easy to fit into any of the retrofit fixtures. The LM2841 would be an identical design for the lower current applications but would allow for a physically smaller inductor and would take up less space.



30100201

FIGURE 1. DC Input 5VDC Output

However, as mentioned, many 12VAC and 24VAC systems are still in place throughout the world and it is most often desirable to be able to retrofit and use these systems rather than replacing them with a more modern DC system. This means that a design with a wide input voltage range must be used. This can be done rather simply by using a bridge rectifier and a larger amount of input capacitance to form a crude AC-DC

converter. Given line tolerances, a 24VAC system could provide peaks nearing 40V. But you would also like to be able to minimize the input capacitance which would allow the input to fall as low as 10V to 12V. The LM2841 and LM2842 can accommodate such a wide input voltage range with sufficient power supply rejection to keep the output perfectly steady at

Small, Wide Input Voltage Range LM2842 Keeps LEDs Cool

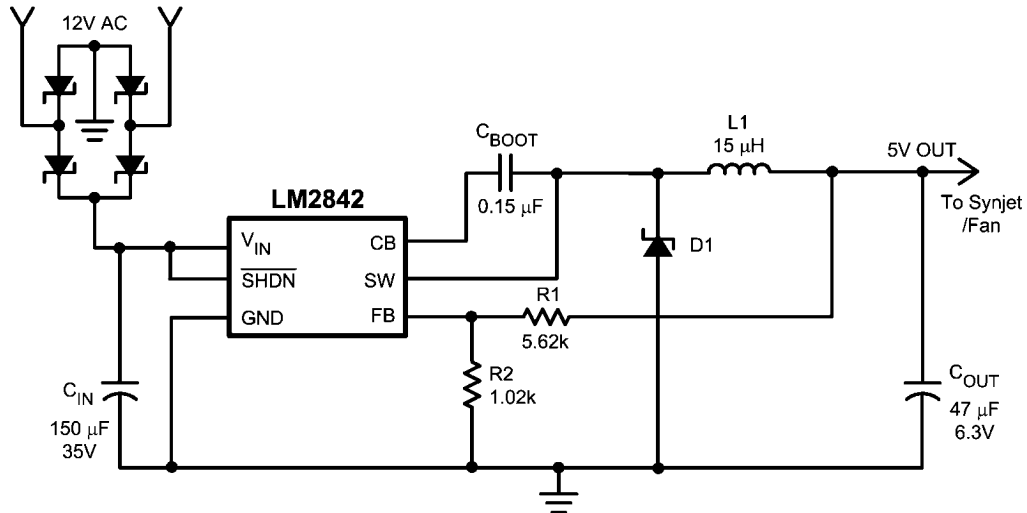
AN-1982

5V. Figure 2 and Figure 3 show the circuits for a 12VAC system and a 24VAC system respectively.

It is important to note, the 24VAC input has a higher RMS voltage and therefore the LM2842 draws less current. It also has a higher peak. Due to these facts a lower value input capacitor can be used to maintain an acceptable operating input voltage to the LM2842. Also important to note is that the circuits in Figure 2 and Figure 3 are designed for the full output current of 600 mA. It becomes apparent that if the cooling system uses less current, then less input capacitance could

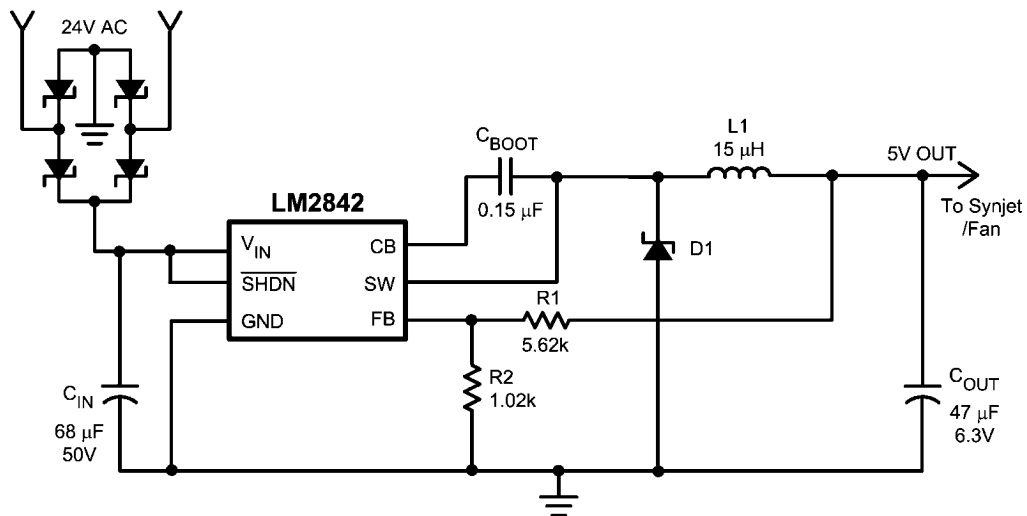
be used further reducing the circuit size. For example, if the LM2842 were to be substituted with the LM2841 running a maximum of 300 mA of output current then the input capacitance could be cut in half.

This article does not focus on the LED drive circuitry itself since that is a subject for another article. But it does show that thermal management of the LEDs does not have to be a difficult issue if you have the right drive tools available. Visit national.com/LED for more information on National's LED drivers and to use WEBENCH® LED Designer.



30100202

FIGURE 2. 12VAC Input to 5VDC Output



30100203

FIGURE 3. 24VAC Input to 5VDC Output

Notes

For more National Semiconductor product information and proven design tools, visit the following Web sites at:

Products		Design Support	
Amplifiers	www.national.com/amplifiers	WEBENCH® Tools	www.national.com/webench
Audio	www.national.com/audio	App Notes	www.national.com/appnotes
Clock and Timing	www.national.com/timing	Reference Designs	www.national.com/refdesigns
Data Converters	www.national.com/adc	Samples	www.national.com/samples
Interface	www.national.com/interface	Eval Boards	www.national.com/evalboards
LVDS	www.national.com/lvds	Packaging	www.national.com/packaging
Power Management	www.national.com/power	Green Compliance	www.national.com/quality/green
Switching Regulators	www.national.com/switchers	Distributors	www.national.com/contacts
LDOs	www.national.com/ldo	Quality and Reliability	www.national.com/quality
LED Lighting	www.national.com/led	Feedback/Support	www.national.com/feedback
Voltage Reference	www.national.com/vref	Design Made Easy	www.national.com/easy
PowerWise® Solutions	www.national.com/powerwise	Solutions	www.national.com/solutions
Serial Digital Interface (SDI)	www.national.com/sdi	Mil/Aero	www.national.com/milaero
Temperature Sensors	www.national.com/tempensors	SolarMagic™	www.national.com/solarmagic
Wireless (PLL/VCO)	www.national.com/wireless	PowerWise® Design University	www.national.com/training

THE CONTENTS OF THIS DOCUMENT ARE PROVIDED IN CONNECTION WITH NATIONAL SEMICONDUCTOR CORPORATION ("NATIONAL") PRODUCTS. NATIONAL MAKES NO REPRESENTATIONS OR WARRANTIES WITH RESPECT TO THE ACCURACY OR COMPLETENESS OF THE CONTENTS OF THIS PUBLICATION AND RESERVES THE RIGHT TO MAKE CHANGES TO SPECIFICATIONS AND PRODUCT DESCRIPTIONS AT ANY TIME WITHOUT NOTICE. NO LICENSE, WHETHER EXPRESS, IMPLIED, ARISING BY ESTOPPEL OR OTHERWISE, TO ANY INTELLECTUAL PROPERTY RIGHTS IS GRANTED BY THIS DOCUMENT.

TESTING AND OTHER QUALITY CONTROLS ARE USED TO THE EXTENT NATIONAL DEEMS NECESSARY TO SUPPORT NATIONAL'S PRODUCT WARRANTY. EXCEPT WHERE MANDATED BY GOVERNMENT REQUIREMENTS, TESTING OF ALL PARAMETERS OF EACH PRODUCT IS NOT NECESSARILY PERFORMED. NATIONAL ASSUMES NO LIABILITY FOR APPLICATIONS ASSISTANCE OR BUYER PRODUCT DESIGN. BUYERS ARE RESPONSIBLE FOR THEIR PRODUCTS AND APPLICATIONS USING NATIONAL COMPONENTS. PRIOR TO USING OR DISTRIBUTING ANY PRODUCTS THAT INCLUDE NATIONAL COMPONENTS, BUYERS SHOULD PROVIDE ADEQUATE DESIGN, TESTING AND OPERATING SAFEGUARDS.

EXCEPT AS PROVIDED IN NATIONAL'S TERMS AND CONDITIONS OF SALE FOR SUCH PRODUCTS, NATIONAL ASSUMES NO LIABILITY WHATSOEVER, AND NATIONAL DISCLAIMS ANY EXPRESS OR IMPLIED WARRANTY RELATING TO THE SALE AND/OR USE OF NATIONAL PRODUCTS INCLUDING LIABILITY OR WARRANTIES RELATING TO FITNESS FOR A PARTICULAR PURPOSE, MERCHANTABILITY, OR INFRINGEMENT OF ANY PATENT, COPYRIGHT OR OTHER INTELLECTUAL PROPERTY RIGHT.

LIFE SUPPORT POLICY

NATIONAL'S PRODUCTS ARE NOT AUTHORIZED FOR USE AS CRITICAL COMPONENTS IN LIFE SUPPORT DEVICES OR SYSTEMS WITHOUT THE EXPRESS PRIOR WRITTEN APPROVAL OF THE CHIEF EXECUTIVE OFFICER AND GENERAL COUNSEL OF NATIONAL SEMICONDUCTOR CORPORATION. As used herein:

Life support devices or systems are devices which (a) are intended for surgical implant into the body, or (b) support or sustain life and whose failure to perform when properly used in accordance with instructions for use provided in the labeling can be reasonably expected to result in a significant injury to the user. A critical component is any component in a life support device or system whose failure to perform can be reasonably expected to cause the failure of the life support device or system or to affect its safety or effectiveness.

National Semiconductor and the National Semiconductor logo are registered trademarks of National Semiconductor Corporation. All other brand or product names may be trademarks or registered trademarks of their respective holders.

Copyright© 2009 National Semiconductor Corporation

For the most current product information visit us at www.national.com



**National Semiconductor
Americas Technical
Support Center**
Email: support@nsc.com
Tel: 1-800-272-9959

**National Semiconductor Europe
Technical Support Center**
Email: europe.support@nsc.com

**National Semiconductor Asia
Pacific Technical Support Center**
Email: ap.support@nsc.com

**National Semiconductor Japan
Technical Support Center**
Email: jpn.feedback@nsc.com

IMPORTANT NOTICE

Texas Instruments Incorporated and its subsidiaries (TI) reserve the right to make corrections, modifications, enhancements, improvements, and other changes to its products and services at any time and to discontinue any product or service without notice. Customers should obtain the latest relevant information before placing orders and should verify that such information is current and complete. All products are sold subject to TI's terms and conditions of sale supplied at the time of order acknowledgment.

TI warrants performance of its hardware products to the specifications applicable at the time of sale in accordance with TI's standard warranty. Testing and other quality control techniques are used to the extent TI deems necessary to support this warranty. Except where mandated by government requirements, testing of all parameters of each product is not necessarily performed.

TI assumes no liability for applications assistance or customer product design. Customers are responsible for their products and applications using TI components. To minimize the risks associated with customer products and applications, customers should provide adequate design and operating safeguards.

TI does not warrant or represent that any license, either express or implied, is granted under any TI patent right, copyright, mask work right, or other TI intellectual property right relating to any combination, machine, or process in which TI products or services are used. Information published by TI regarding third-party products or services does not constitute a license from TI to use such products or services or a warranty or endorsement thereof. Use of such information may require a license from a third party under the patents or other intellectual property of the third party, or a license from TI under the patents or other intellectual property of TI.

Reproduction of TI information in TI data books or data sheets is permissible only if reproduction is without alteration and is accompanied by all associated warranties, conditions, limitations, and notices. Reproduction of this information with alteration is an unfair and deceptive business practice. TI is not responsible or liable for such altered documentation. Information of third parties may be subject to additional restrictions.

Resale of TI products or services with statements different from or beyond the parameters stated by TI for that product or service voids all express and any implied warranties for the associated TI product or service and is an unfair and deceptive business practice. TI is not responsible or liable for any such statements.

TI products are not authorized for use in safety-critical applications (such as life support) where a failure of the TI product would reasonably be expected to cause severe personal injury or death, unless officers of the parties have executed an agreement specifically governing such use. Buyers represent that they have all necessary expertise in the safety and regulatory ramifications of their applications, and acknowledge and agree that they are solely responsible for all legal, regulatory and safety-related requirements concerning their products and any use of TI products in such safety-critical applications, notwithstanding any applications-related information or support that may be provided by TI. Further, Buyers must fully indemnify TI and its representatives against any damages arising out of the use of TI products in such safety-critical applications.

TI products are neither designed nor intended for use in military/aerospace applications or environments unless the TI products are specifically designated by TI as military-grade or "enhanced plastic." Only products designated by TI as military-grade meet military specifications. Buyers acknowledge and agree that any such use of TI products which TI has not designated as military-grade is solely at the Buyer's risk, and that they are solely responsible for compliance with all legal and regulatory requirements in connection with such use.

TI products are neither designed nor intended for use in automotive applications or environments unless the specific TI products are designated by TI as compliant with ISO/TS 16949 requirements. Buyers acknowledge and agree that, if they use any non-designated products in automotive applications, TI will not be responsible for any failure to meet such requirements.

Following are URLs where you can obtain information on other Texas Instruments products and application solutions:

Products

Audio	www.ti.com/audio
Amplifiers	amplifier.ti.com
Data Converters	dataconverter.ti.com
DLP® Products	www.dlp.com
DSP	dsp.ti.com
Clocks and Timers	www.ti.com/clocks
Interface	interface.ti.com
Logic	logic.ti.com
Power Mgmt	power.ti.com
Microcontrollers	microcontroller.ti.com
RFID	www.ti-rfid.com
OMAP Mobile Processors	www.ti.com/omap
Wireless Connectivity	www.ti.com/wirelessconnectivity

Applications

Communications and Telecom	www.ti.com/communications
Computers and Peripherals	www.ti.com/computers
Consumer Electronics	www.ti.com/consumer-apps
Energy and Lighting	www.ti.com/energy
Industrial	www.ti.com/industrial
Medical	www.ti.com/medical
Security	www.ti.com/security
Space, Avionics and Defense	www.ti.com/space-avionics-defense
Transportation and Automotive	www.ti.com/automotive
Video and Imaging	www.ti.com/video

TI E2E Community Home Page

e2e.ti.com

Mailing Address: Texas Instruments, Post Office Box 655303, Dallas, Texas 75265
Copyright © 2011, Texas Instruments Incorporated