

LM3466

Application Note 2182 LM3466 Demonstration Board Reference Design



Literature Number: SNOA566

LM3466 Demonstration Board Reference Design

National Semiconductor
Application Note 2182
LK Wong
October 7, 2011



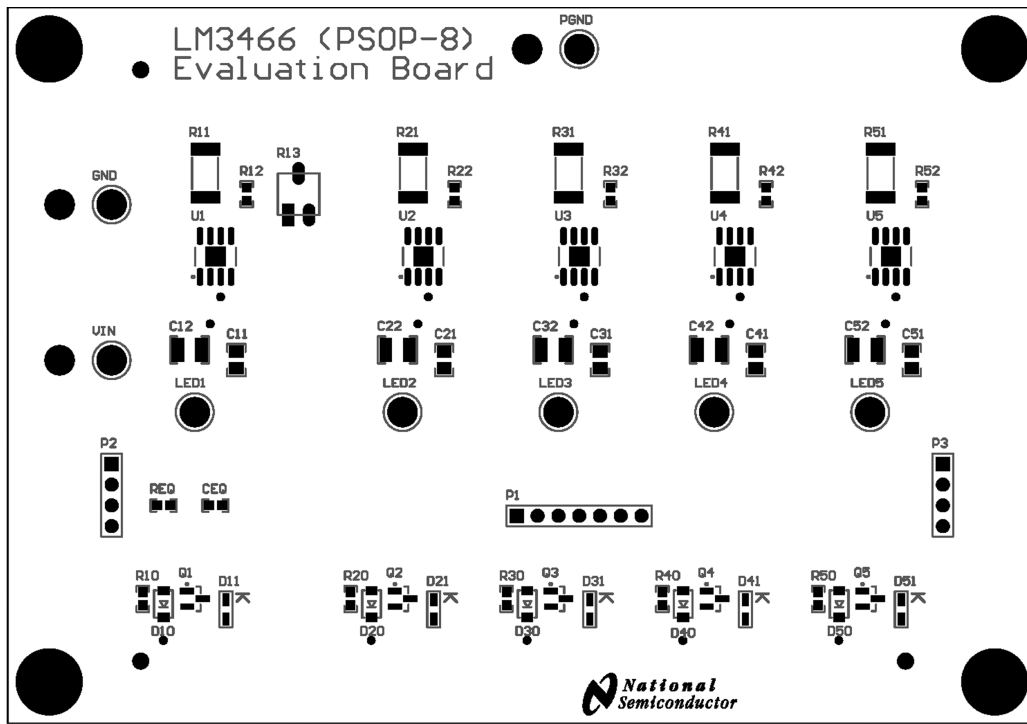
Introduction

The LM3466 integrates a linear LED driver for lighting systems which consist of multiple LED strings powered by a constant current power supply. The LM3466 equalizes the current provided by the supply in a pre-set ratio for each active LED string, where an active string is a fully turned on LED string, regardless of the number of strings connected to the supply or the forward voltage of each LED string. If any LED string opens during operation, the LM3466 automatically equalizes the supply current through all of the remaining active LED strings. As a result, the overall brightness of the

lighting system is maintained even if some LED strings open during operation. The LM3466 consists of only linear circuitry so that the EMI of the application circuit is not deteriorated.

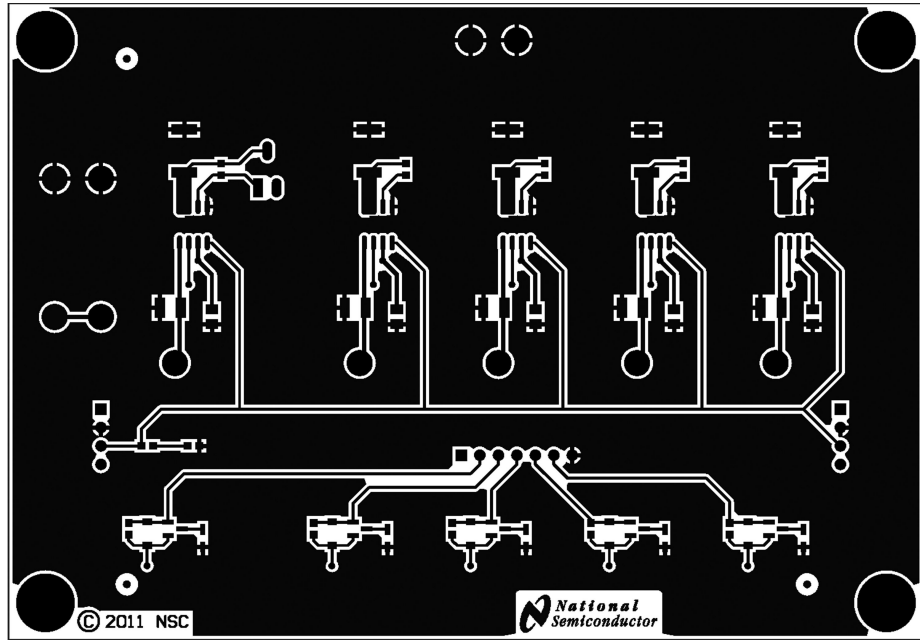
This application note details the design of an LM3466 evaluation board that drives 5 LED strings, each of which consists of 14 LEDs. The input current I_S (of the constant current power supply) is 1.75A such that the LED current is 0.35A per string. The evaluation board schematic, PCB layout, Bill of Materials, and circuit design procedures are shown. Typical performance and operating waveforms are also provided for reference.

Demonstration Board Schematic and PCB



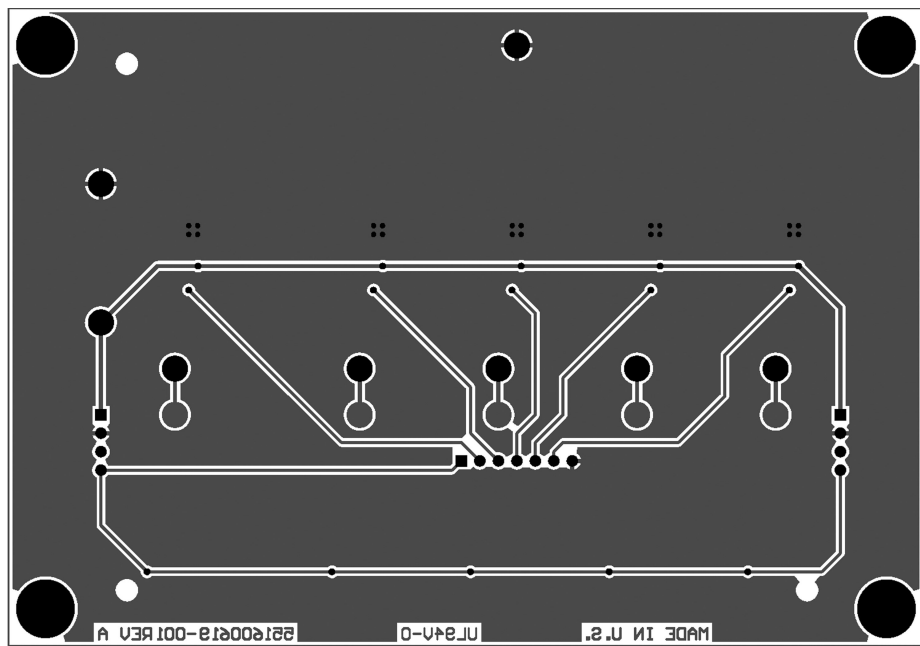
30171401

FIGURE 1. LM3466 Evaluation Board PCB Top Overlay



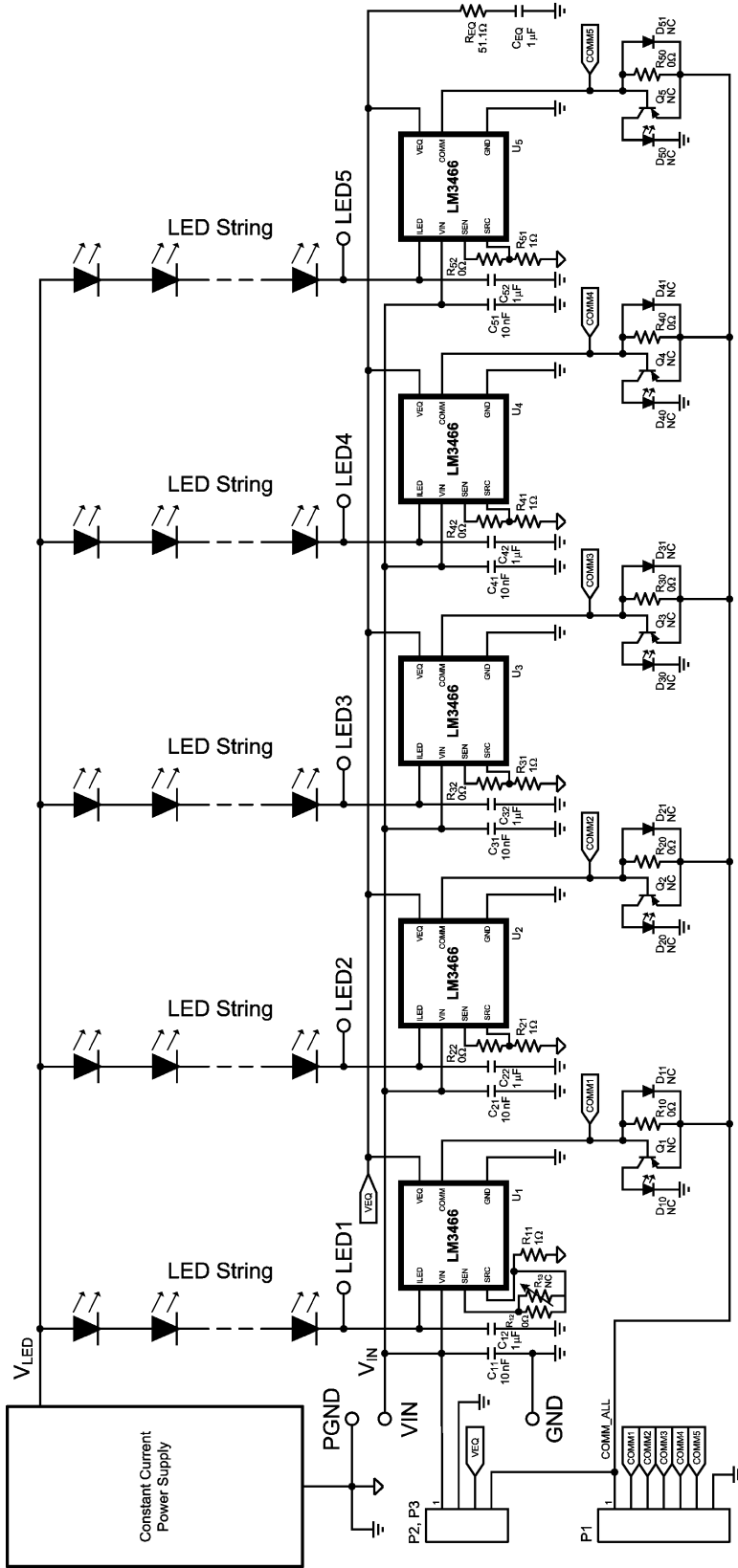
30171402

FIGURE 2. LM3466 Evaluation Board Top View



30171403

FIGURE 3. LM3466 Evaluation Board Bottom View

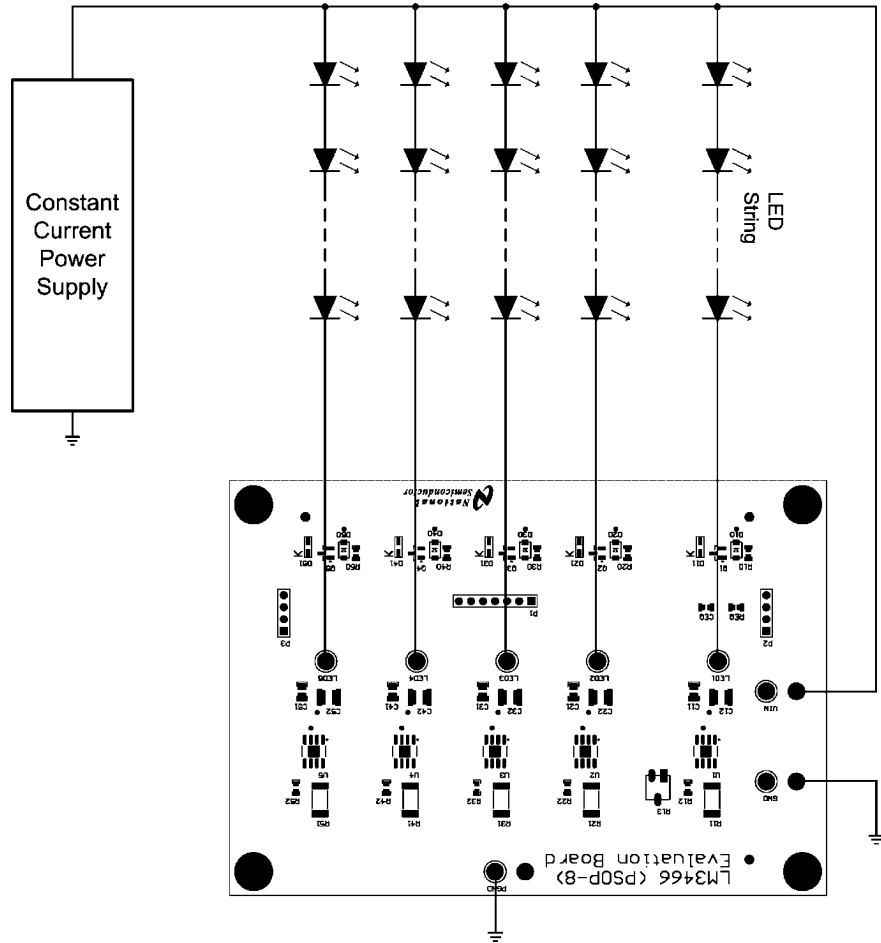


30171414

FIGURE 4. LM3466 Evaluation Board Schematic

Evaluation Board Quick Setup Procedures

Step	Description	Notes
1	Connect a constant current power supply to VLED and PGND. The VIN terminal can be connected to VLED, or another voltage source ranged from 6V to 70V.	The supply current I_S is set to 1.75A, with a maximum output voltage of 48V.
2	Connect 5 LED strings from VLED to LED1 to LED5 terminals.	Each LED string consists of 14 LEDs with a forward string voltage of lower than 48V at 0.35A.
3	Turn on the power supply. The 5 LED strings are turned on and the current is 0.35A each.	The voltage on R11-R51 is 0.35V.



30171405

FIGURE 5. LM3466 Evaluation Board Connection Diagram

Design Procedure

The LM3466 evaluation board has 5 channels driving 5 LED strings powered by a constant current power supply ($I_S = 1.75A$). It is expected that the current of every LED string is 0.35A. From the schematic (Figure 4), each channel consists of an LM3466 (U_i), a sense resistor (R_{i1}), and two capacitors (C_{i1} and C_{i2}), where $i = 1$ to 5. An RC circuit connecting the VEQ pin to ground is required for the whole circuit. The above components are determined as follows.

Step 1: Determine the sense resistor

The current provided by the constant current power supply is equalized through each channel in a pre-set ratio determined by the sense resistor R_{i1}. This LM3466 evaluation board is designed so that the current of each channel is the same, the sense resistor of each channel is designed to be the same. It is recommended that the nominal voltage of the SEN pin V_{SEN} should be around 0.3V. Therefore, R_{i1} is selected to be 1Ω. As a result, V_{SEN} should be 0.35V if the LED current is 0.35A.

Step 2: Determine the capacitors

C_{i1}: A high quality ceramic capacitor for decoupling should be connected from the VIN pin to ground. In this LM3466 evaluation board, a 100V, 0.01 μF ceramic capacitor is used.

C_{i2}: If the cable connecting the LED string and the evaluation board is long, the parasitic inductance of the cable may generate noise. If this happens, a high quality ceramic capacitor should be connected between the ILED pin and ground. In this LM3466 evaluation board, a 100V, 1 μF ceramic capacitor is used.

Step 3: Determine other components

R_{EQ} and C_{EQ}: The VEQ pins of all LM3466 are shorted together and then connected to ground through R_{EQ} and C_{EQ} for normal operation. Only one R_{EQ} and one C_{EQ} are required for one lighting system. It is recommended that R_{EQ} be 51.1Ω and C_{EQ} be 1 μF.

Step 4: Optional circuit for fault reporting

For simplicity, the COMM pins of all LM3466 can be shorted directly to a common bus COMM_ALL for normal operation (R_{i0} = 0Ω). If fault reporting upon LED string open of a corresponding channel is required, an optional circuit can be used to connect the COMM pin of each LM3466 to COMM_ALL. Since the COMM pin pulls low during LED string open, the small signal LED in the optional circuit shown in Figure 6 will light during a fault.

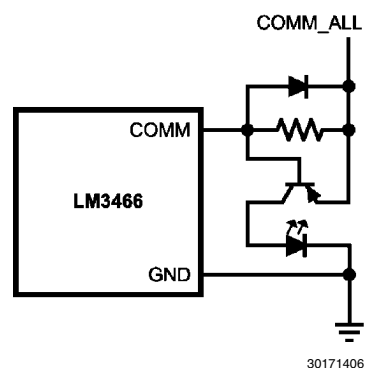


FIGURE 6. Optional COMM Circuit

PC Board Layout

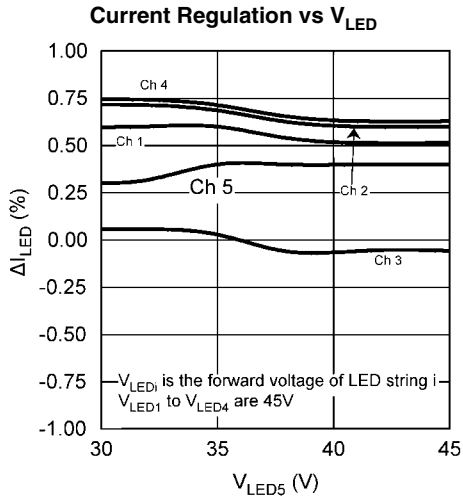
To minimize the effect of noise, the ground connections of the LM3466 and the sense resistor R_{i1} should be closed. Good heat dissipation helps optimize the performance of the LM3466. The ground plane should be used to connect the exposed pad of the LM3466, which is internally connected to the LM3466 die substrate. The area of the ground plane should be extended as much as possible on the same copper layer above and below the LM3466. Using numerous vias beneath the exposed pad to dissipate heat of the LM3466 to another copper layer is also a good practice.

Bill of Materials

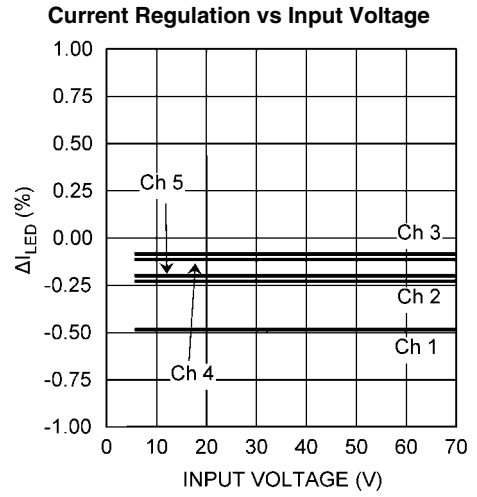
Item	Part Number	Mfg name	Part Description	Qty	Ref Designator(s)	Size
1	GRM21BR72A103KA01L	MuRata	CAP, CERM, 0.01 μF, 100V, ±10%, X7R, 0805	5	C11, C21, C31, C41, C51	0805
2	GRM32ER72A105KA01L	MuRata	CAP, CERM, 1 μF, 100V, ±10%, X7R, 1210	5	C12, C22, C32, C42, C52	1210
3	GRM188R71A105KA61D	MuRata	CAP, CERM, 1 μF, 10V, ±10%, X7R, 0603	1	CEQ	0603
4	1502-2	Keystone Electronics	Terminal, Turret, TH, Double	8	GND, LED1, LED2, LED3, LED4, LED5, PGND, VIN	
5	CRCW06030000Z0EA	Vishay-Dale	RES, 0Ω, 5%, 0.1W, 0603	10	R10, R12, R20, R22, R30, R32, R40, R42, R50, R52	0603
6	CRCW25121R00FKEG	Vishay	RES, 1.00Ω 1W 1% 2512	5	R11, R21, R31, R41, R51	2512
7	CRCW060351R1FKEA	Vishay-Dale	RES, 51.1Ω, 1%, 0.1W, 0603	1	REQ	0603
8	LM3466MR/NOPB	National Semiconductor	Simple Linear LED driver for Multi-Channel LED Systems	5	U1, U2, U3, U4, U5	ePSOP-8

Typical Performance and Waveforms

All curves and waveforms are taken at $I_S = 1.75A$ with the evaluation board and $T_A = 25^\circ C$ unless otherwise specified.

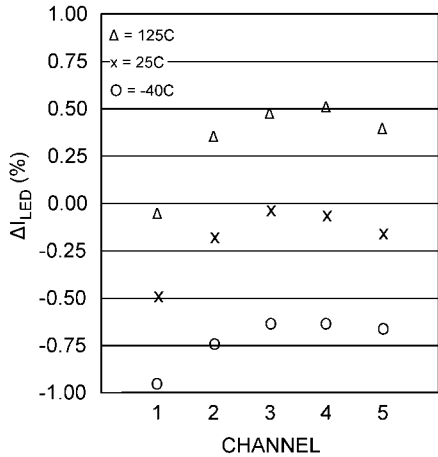


30171415



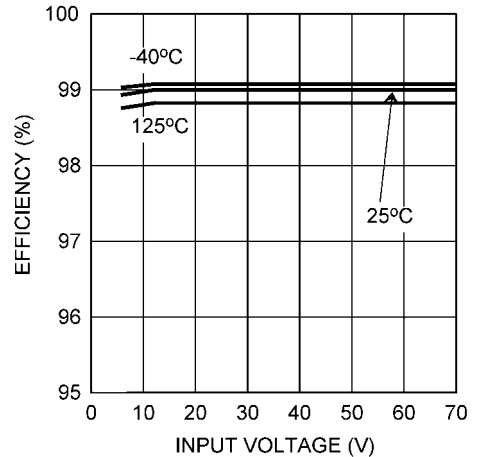
30171408

Current Regulation (Channel to Channel) vs Temperature



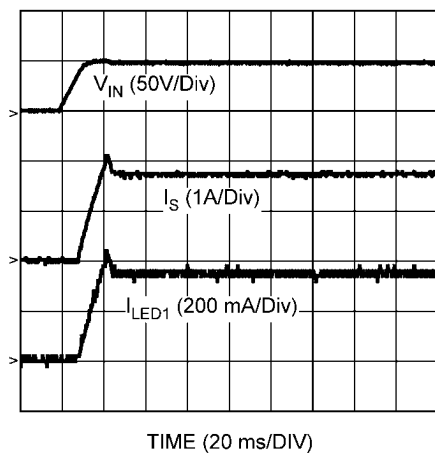
30171416

Efficiency vs Input Voltage



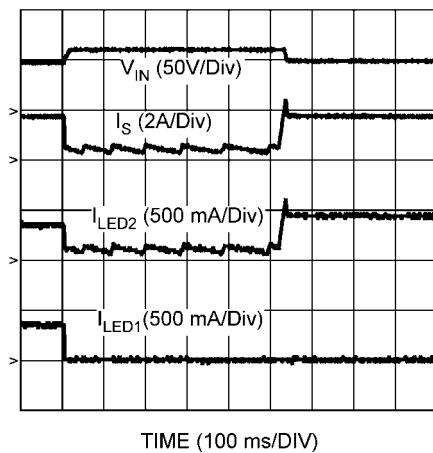
30171410

Power Up



30171411

LED String Disconnect



30171412

Notes

AN-2182

Notes

For more National Semiconductor product information and proven design tools, visit the following Web sites at:
www.national.com

Products		Design Support	
Amplifiers	www.national.com/amplifiers	WEBENCH® Tools	www.national.com/webench
Audio	www.national.com/audio	App Notes	www.national.com/appnotes
Clock and Timing	www.national.com/timing	Reference Designs	www.national.com/refdesigns
Data Converters	www.national.com/adc	Samples	www.national.com/samples
Interface	www.national.com/interface	Eval Boards	www.national.com/evalboards
LVDS	www.national.com/lvds	Packaging	www.national.com/packaging
Power Management	www.national.com/power	Green Compliance	www.national.com/quality/green
Switching Regulators	www.national.com/switchers	Distributors	www.national.com/contacts
LDOs	www.national.com/ldo	Quality and Reliability	www.national.com/quality
LED Lighting	www.national.com/led	Feedback/Support	www.national.com/feedback
Voltage References	www.national.com/vref	Design Made Easy	www.national.com/easy
PowerWise® Solutions	www.national.com/powerwise	Applications & Markets	www.national.com/solutions
Serial Digital Interface (SDI)	www.national.com/sdi	Mil/Aero	www.national.com/milaero
Temperature Sensors	www.national.com/tempensors	SolarMagic™	www.national.com/solarmagic
PLL/VCO	www.national.com/wireless	PowerWise® Design University	www.national.com/training

THE CONTENTS OF THIS DOCUMENT ARE PROVIDED IN CONNECTION WITH NATIONAL SEMICONDUCTOR CORPORATION ("NATIONAL") PRODUCTS. NATIONAL MAKES NO REPRESENTATIONS OR WARRANTIES WITH RESPECT TO THE ACCURACY OR COMPLETENESS OF THE CONTENTS OF THIS PUBLICATION AND RESERVES THE RIGHT TO MAKE CHANGES TO SPECIFICATIONS AND PRODUCT DESCRIPTIONS AT ANY TIME WITHOUT NOTICE. NO LICENSE, WHETHER EXPRESS, IMPLIED, ARISING BY ESTOPPEL OR OTHERWISE, TO ANY INTELLECTUAL PROPERTY RIGHTS IS GRANTED BY THIS DOCUMENT.

TESTING AND OTHER QUALITY CONTROLS ARE USED TO THE EXTENT NATIONAL DEEMS NECESSARY TO SUPPORT NATIONAL'S PRODUCT WARRANTY. EXCEPT WHERE MANDATED BY GOVERNMENT REQUIREMENTS, TESTING OF ALL PARAMETERS OF EACH PRODUCT IS NOT NECESSARILY PERFORMED. NATIONAL ASSUMES NO LIABILITY FOR APPLICATIONS ASSISTANCE OR BUYER PRODUCT DESIGN. BUYERS ARE RESPONSIBLE FOR THEIR PRODUCTS AND APPLICATIONS USING NATIONAL COMPONENTS. PRIOR TO USING OR DISTRIBUTING ANY PRODUCTS THAT INCLUDE NATIONAL COMPONENTS, BUYERS SHOULD PROVIDE ADEQUATE DESIGN, TESTING AND OPERATING SAFEGUARDS.

EXCEPT AS PROVIDED IN NATIONAL'S TERMS AND CONDITIONS OF SALE FOR SUCH PRODUCTS, NATIONAL ASSUMES NO LIABILITY WHATSOEVER, AND NATIONAL DISCLAIMS ANY EXPRESS OR IMPLIED WARRANTY RELATING TO THE SALE AND/OR USE OF NATIONAL PRODUCTS INCLUDING LIABILITY OR WARRANTIES RELATING TO FITNESS FOR A PARTICULAR PURPOSE, MERCHANTABILITY, OR INFRINGEMENT OF ANY PATENT, COPYRIGHT OR OTHER INTELLECTUAL PROPERTY RIGHT.

LIFE SUPPORT POLICY

NATIONAL'S PRODUCTS ARE NOT AUTHORIZED FOR USE AS CRITICAL COMPONENTS IN LIFE SUPPORT DEVICES OR SYSTEMS WITHOUT THE EXPRESS PRIOR WRITTEN APPROVAL OF THE CHIEF EXECUTIVE OFFICER AND GENERAL COUNSEL OF NATIONAL SEMICONDUCTOR CORPORATION. As used herein:

Life support devices or systems are devices which (a) are intended for surgical implant into the body, or (b) support or sustain life and whose failure to perform when properly used in accordance with instructions for use provided in the labeling can be reasonably expected to result in a significant injury to the user. A critical component is any component in a life support device or system whose failure to perform can be reasonably expected to cause the failure of the life support device or system or to affect its safety or effectiveness.

National Semiconductor and the National Semiconductor logo are registered trademarks of National Semiconductor Corporation. All other brand or product names may be trademarks or registered trademarks of their respective holders.

Copyright© 2011 National Semiconductor Corporation

For the most current product information visit us at www.national.com



National Semiconductor
Americas Technical
Support Center
 Email: support@nsc.com
 Tel: 1-800-272-9959

National Semiconductor Europe
Technical Support Center
 Email: europe.support@nsc.com

National Semiconductor Asia
Pacific Technical Support Center
 Email: ap.support@nsc.com

National Semiconductor Japan
Technical Support Center
 Email: jpn.feedback@nsc.com

IMPORTANT NOTICE

Texas Instruments Incorporated and its subsidiaries (TI) reserve the right to make corrections, modifications, enhancements, improvements, and other changes to its products and services at any time and to discontinue any product or service without notice. Customers should obtain the latest relevant information before placing orders and should verify that such information is current and complete. All products are sold subject to TI's terms and conditions of sale supplied at the time of order acknowledgment.

TI warrants performance of its hardware products to the specifications applicable at the time of sale in accordance with TI's standard warranty. Testing and other quality control techniques are used to the extent TI deems necessary to support this warranty. Except where mandated by government requirements, testing of all parameters of each product is not necessarily performed.

TI assumes no liability for applications assistance or customer product design. Customers are responsible for their products and applications using TI components. To minimize the risks associated with customer products and applications, customers should provide adequate design and operating safeguards.

TI does not warrant or represent that any license, either express or implied, is granted under any TI patent right, copyright, mask work right, or other TI intellectual property right relating to any combination, machine, or process in which TI products or services are used. Information published by TI regarding third-party products or services does not constitute a license from TI to use such products or services or a warranty or endorsement thereof. Use of such information may require a license from a third party under the patents or other intellectual property of the third party, or a license from TI under the patents or other intellectual property of TI.

Reproduction of TI information in TI data books or data sheets is permissible only if reproduction is without alteration and is accompanied by all associated warranties, conditions, limitations, and notices. Reproduction of this information with alteration is an unfair and deceptive business practice. TI is not responsible or liable for such altered documentation. Information of third parties may be subject to additional restrictions.

Resale of TI products or services with statements different from or beyond the parameters stated by TI for that product or service voids all express and any implied warranties for the associated TI product or service and is an unfair and deceptive business practice. TI is not responsible or liable for any such statements.

TI products are not authorized for use in safety-critical applications (such as life support) where a failure of the TI product would reasonably be expected to cause severe personal injury or death, unless officers of the parties have executed an agreement specifically governing such use. Buyers represent that they have all necessary expertise in the safety and regulatory ramifications of their applications, and acknowledge and agree that they are solely responsible for all legal, regulatory and safety-related requirements concerning their products and any use of TI products in such safety-critical applications, notwithstanding any applications-related information or support that may be provided by TI. Further, Buyers must fully indemnify TI and its representatives against any damages arising out of the use of TI products in such safety-critical applications.

TI products are neither designed nor intended for use in military/aerospace applications or environments unless the TI products are specifically designated by TI as military-grade or "enhanced plastic." Only products designated by TI as military-grade meet military specifications. Buyers acknowledge and agree that any such use of TI products which TI has not designated as military-grade is solely at the Buyer's risk, and that they are solely responsible for compliance with all legal and regulatory requirements in connection with such use.

TI products are neither designed nor intended for use in automotive applications or environments unless the specific TI products are designated by TI as compliant with ISO/TS 16949 requirements. Buyers acknowledge and agree that, if they use any non-designated products in automotive applications, TI will not be responsible for any failure to meet such requirements.

Following are URLs where you can obtain information on other Texas Instruments products and application solutions:

Products

Audio	www.ti.com/audio
Amplifiers	amplifier.ti.com
Data Converters	dataconverter.ti.com
DLP® Products	www.dlp.com
DSP	dsp.ti.com
Clocks and Timers	www.ti.com/clocks
Interface	interface.ti.com
Logic	logic.ti.com
Power Mgmt	power.ti.com
Microcontrollers	microcontroller.ti.com
RFID	www.ti-rfid.com
OMAP Mobile Processors	www.ti.com/omap
Wireless Connectivity	www.ti.com/wirelessconnectivity

Applications

Communications and Telecom	www.ti.com/communications
Computers and Peripherals	www.ti.com/computers
Consumer Electronics	www.ti.com/consumer-apps
Energy and Lighting	www.ti.com/energy
Industrial	www.ti.com/industrial
Medical	www.ti.com/medical
Security	www.ti.com/security
Space, Avionics and Defense	www.ti.com/space-avionics-defense
Transportation and Automotive	www.ti.com/automotive
Video and Imaging	www.ti.com/video

TI E2E Community Home Page

e2e.ti.com

Mailing Address: Texas Instruments, Post Office Box 655303, Dallas, Texas 75265
Copyright © 2011, Texas Instruments Incorporated