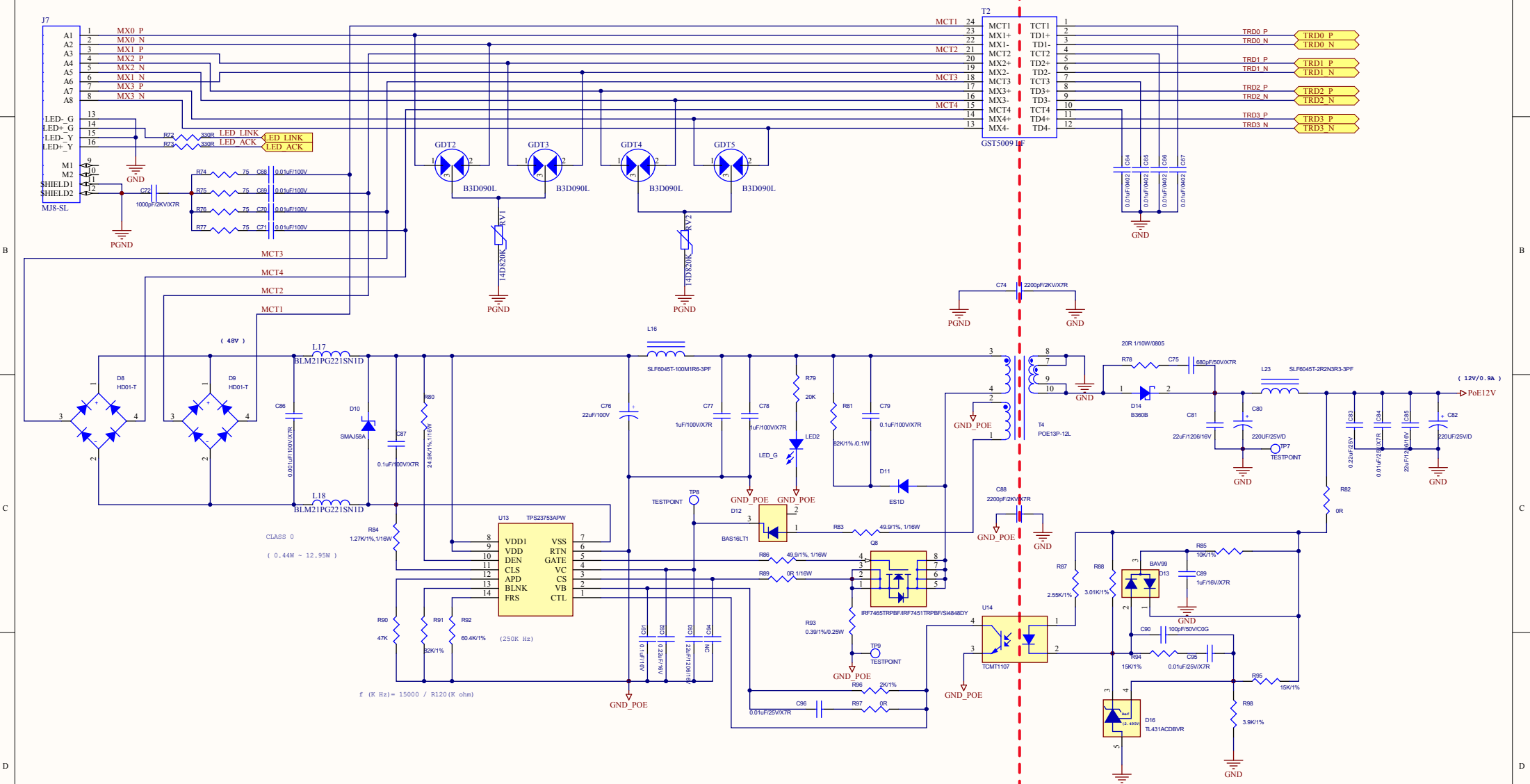


LED\_100/10 (yellow LED)  
 100M : Low => turn on  
 10M : High => turn off

---

LED\_LINK (green LED)  
 Ethernet Active : High => turn on

DIFFERENTIAL PAIR  
 100 OHM DIFFERENTIAL  
 IMPEDANCE  
 SHORT AND STRAIGHT AS  
 POSSIBLE,  
 MINIMUM NUMBER OF VIAS



WHAYER		
Title	RJ45&PoE	
Size	Document Number	Rev
A	IPC_MIAN_BOARD	0.98
Date:	Sheet	9 of 9