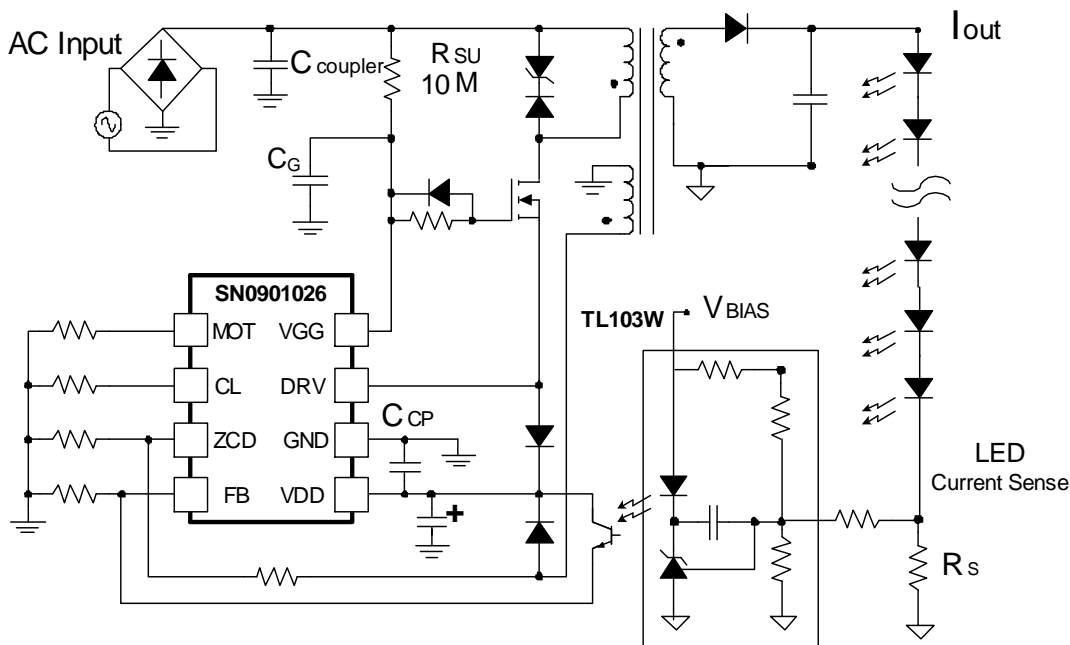


# TI

## Single Stage AC/DC Isolated LED Driver

Application	TI Parts	Output Power	Input Voltage	Output Current
AC/DC Isolated LED Driver with Front-End (TRIAC) Dimming Compatible	SN0109026+ TL103W	10W/ 25W/ 50W	90-265 V <sub>rms</sub>	350mA~500mA Up to 700mA

Figure: Simplified Application



### Key Features and Benefits:

- **Single Stage Design**
  - Requires only one Simple Power Converter
- **Phase-Angle “TRIAC” Dimmable**
  - Operates down to Minimum Input Setting
  - Can be used with Traditional Wall Dimmers
- **Natural PF Correction and Low THD**
  - Operates down to Minimum Input Setting
  - Can be used with Traditional Wall Dimmers
- **High Efficiency & Current Accuracy**
  - Minimizes thermal management
- **Isolated Design meets Safety Requirement**

大聯大核心價值觀 WPG Shared Values Let's T.I.P.E.!



團隊  
Teamwork



誠信  
Integrity



專業  
Professionalism



效能  
Effectiveness

## SN0901026 For E27

Application	TI Parts	Output Power	Input Voltage	Output Current
AC/DC Isolated LED Driver with Front-End (TRIAC) Dimming Compatible	SN0109026	5~7W	90-265 V <sub>rms</sub>	300~350mA

**TI- 68207 Patent Pending (Triac Dimmable Advanced Single Stage PFC)**

### Key Features and Benefits:

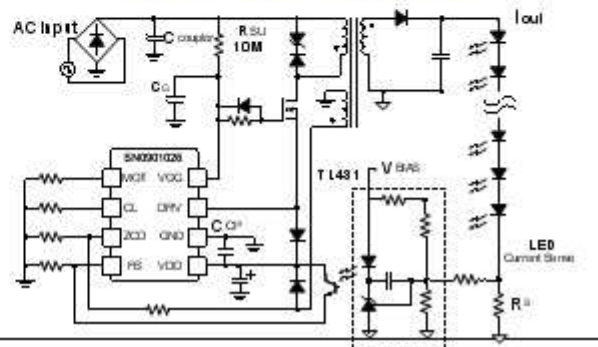
- Single Stage Design w/o Feedback Loop**
  - Requires only one Simple Power Converter
- Phase-Angle "TRIAC" Dimmable**
  - Operates down to Minimum Input Setting
  - Can be used with Traditional Wall Dimmers
- Natural PF Correction and Low THD**
  - Operates down to Minimum Input Setting
  - Can be used with Traditional Wall Dimmers
- High Efficiency & +/- 3% Current Accuracy**
  - Minimizes thermal management
- Isolated Design meets Safety Requirement**



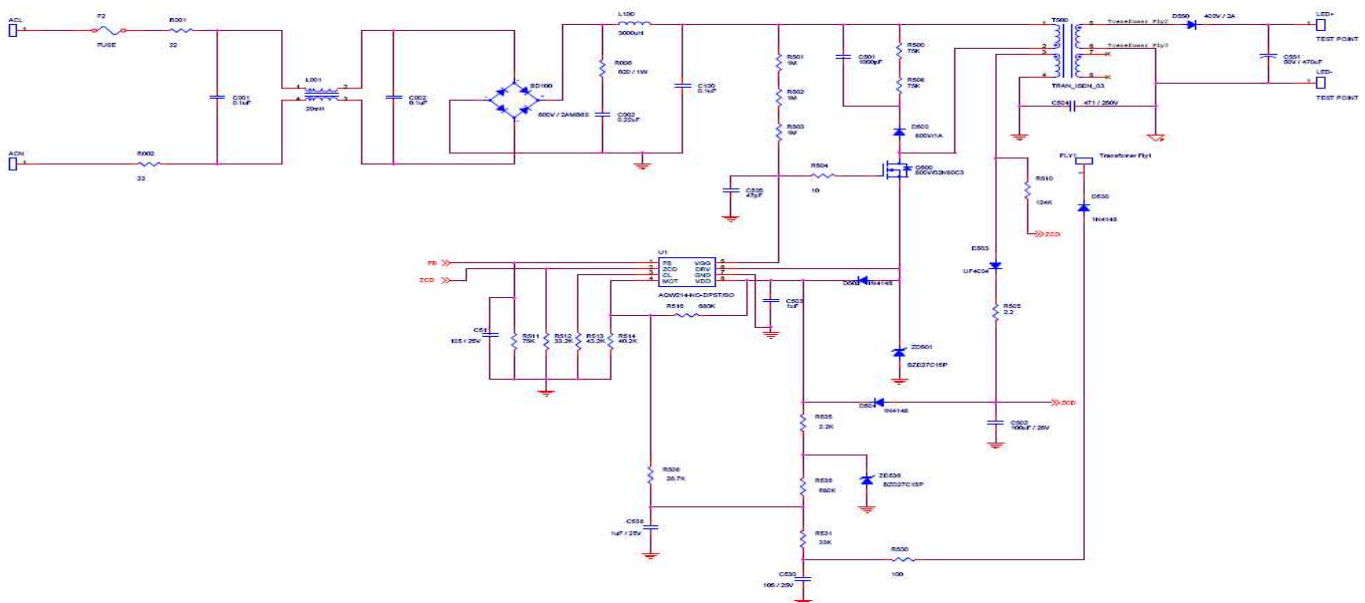
56.5mm\*18.5mm



Figure: Simplified Application



## SN0901026 For T8

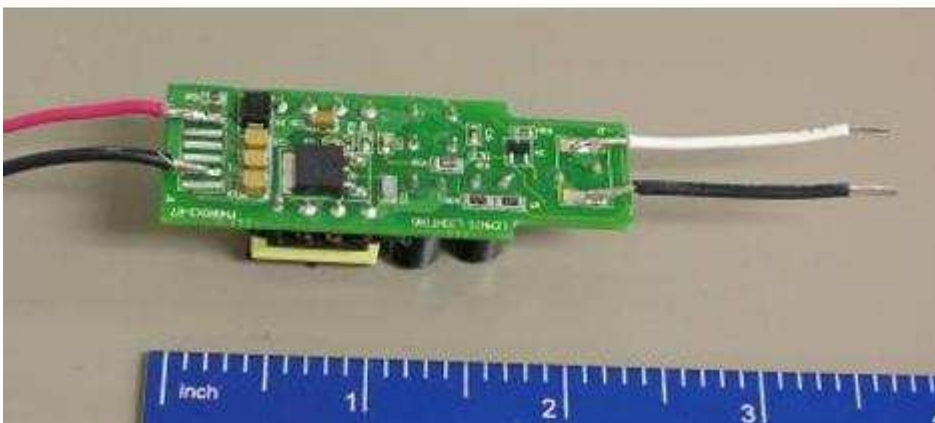
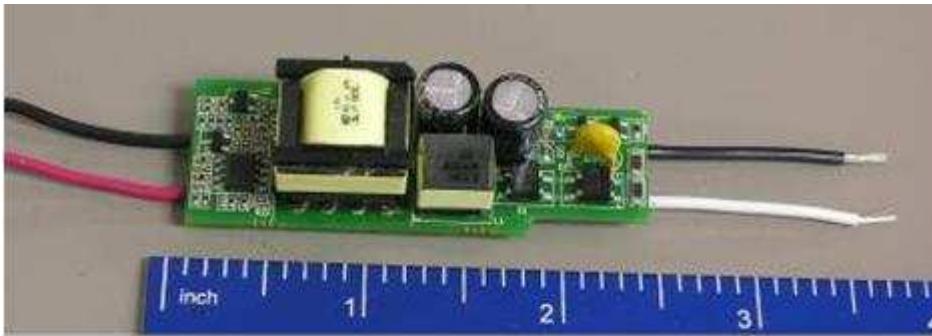


- **High Efficiency & Current Accuracy**
- **Isolated Design meets Safety Requirement**
- **High PF&Small size**

大聯大核心價值觀 Let's T.I.P.E. !  
WPG Shared Values

## TPS92010EVM 7Watt LED Lighting Driver

- 120V and 230V input designs
- Tightly Regulated LED current
- Compatible with standard TRIAC Dimmer
- Active holding-current feature
- High Efficiency
- Maintained during dimming



## TPS92001 11W LED lighting Driver

- 120V input design
- Regulated LED Power
- Compatible with TRIAC Dimmer
  - 0% to 100% Range
  - Maintains TRIAC holding current
- High Efficiency
  - Maintained when dimmed
  - Flat over line input range

Design available with no Aluminum Electrolytic capacitors

