

6

5

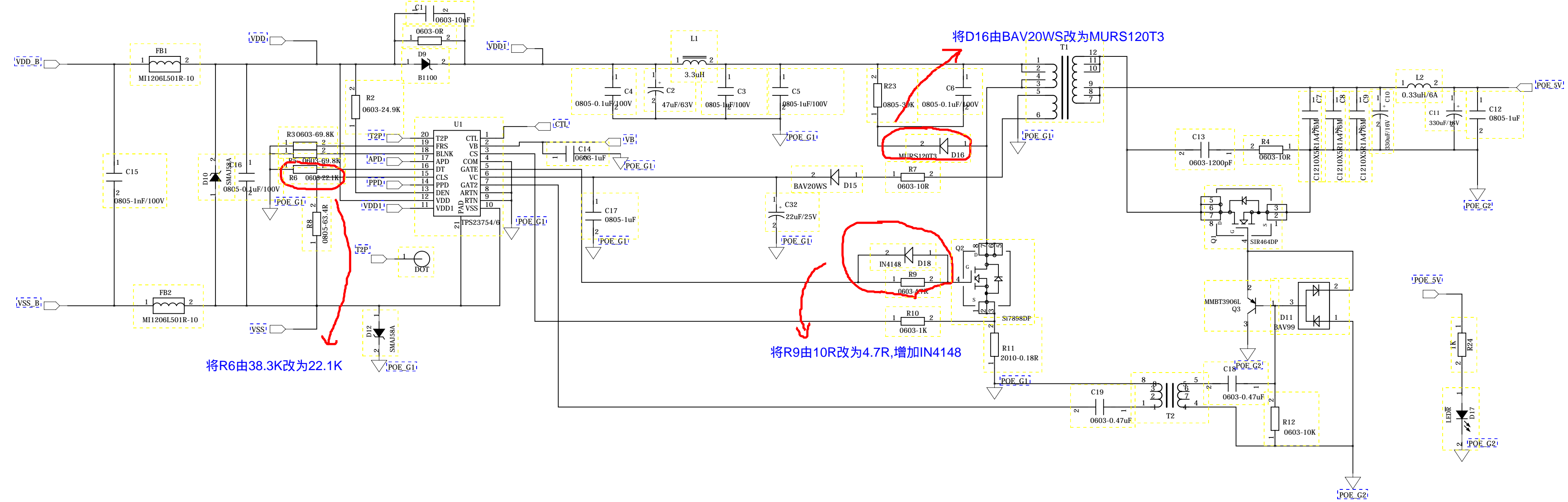
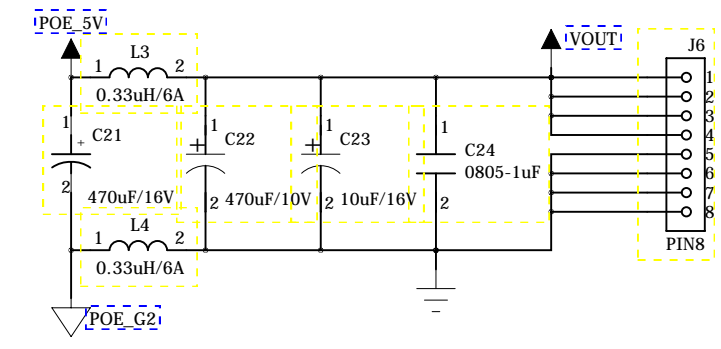
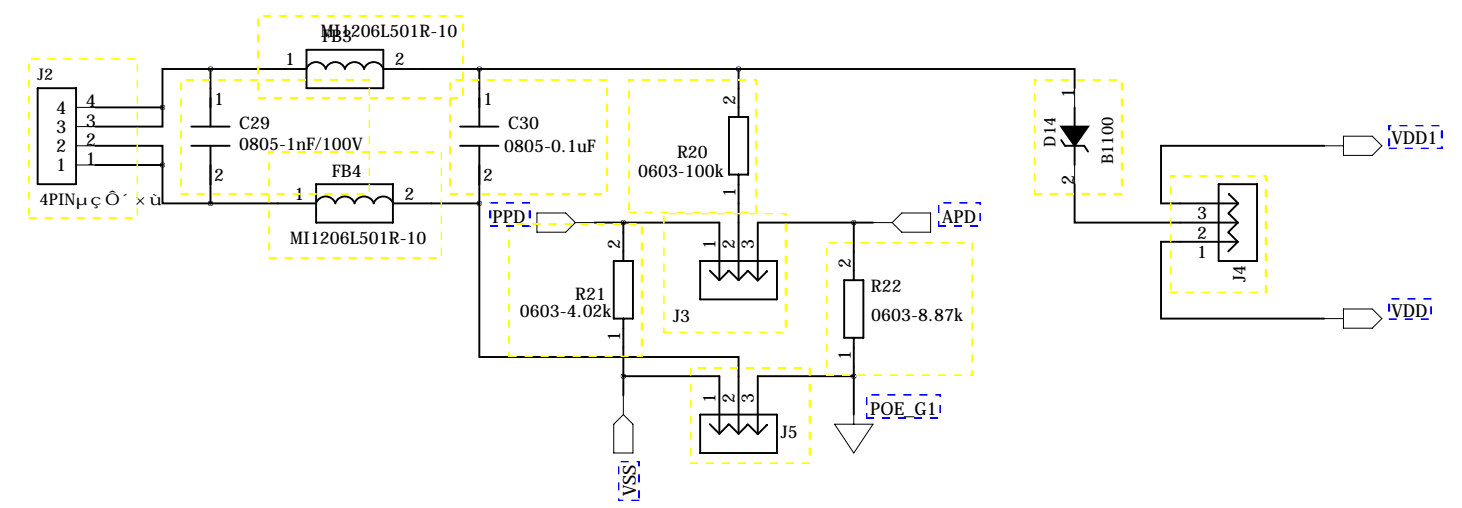
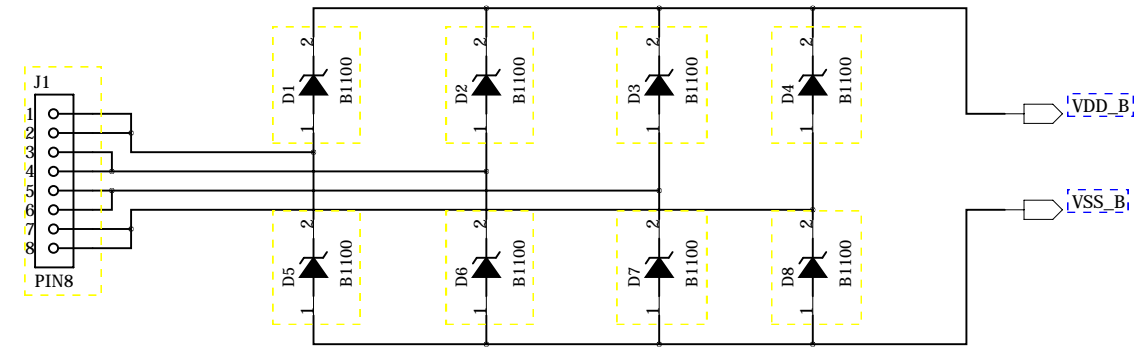
4

3

2

1

REVISION RECORD			
LTR	ECO NO:	APPROVED:	DATE:

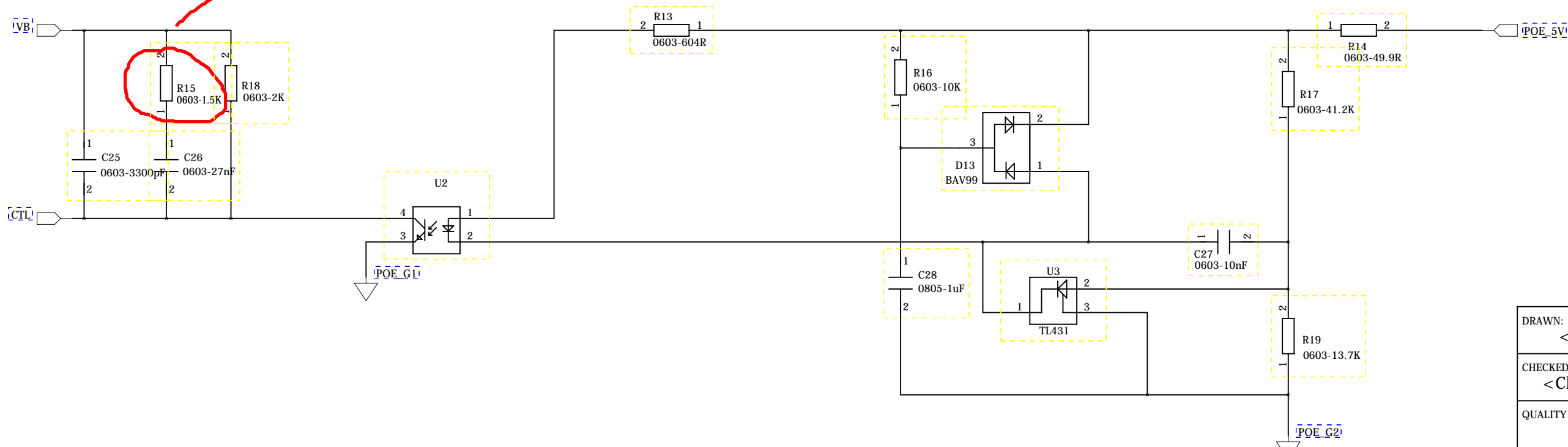


将R6由38.3K改为22.1K

将D16由BAV20WS改为MURS120T3

将R9由10R改为4.7R,增加IN4148

将R15由499R改为1.5K



COMPANY: <Company Name>

TITLE: <Title>

DRAWN: <Drawn By>	DATED: <Drawn Date>
CHECKED: <Checked By>	DATED: <Checked Date>
QUALITY CONTROL: <QC By>	DATED: <QC Date>
RELEASED: <Released By>	DATED: <Release Date>

CODE: <Code>	SIZE: A2	DRAWING NO: <Drawing Number>	REV: <Revision>
SCALE: <Scale>			SHEET: 1 of 1