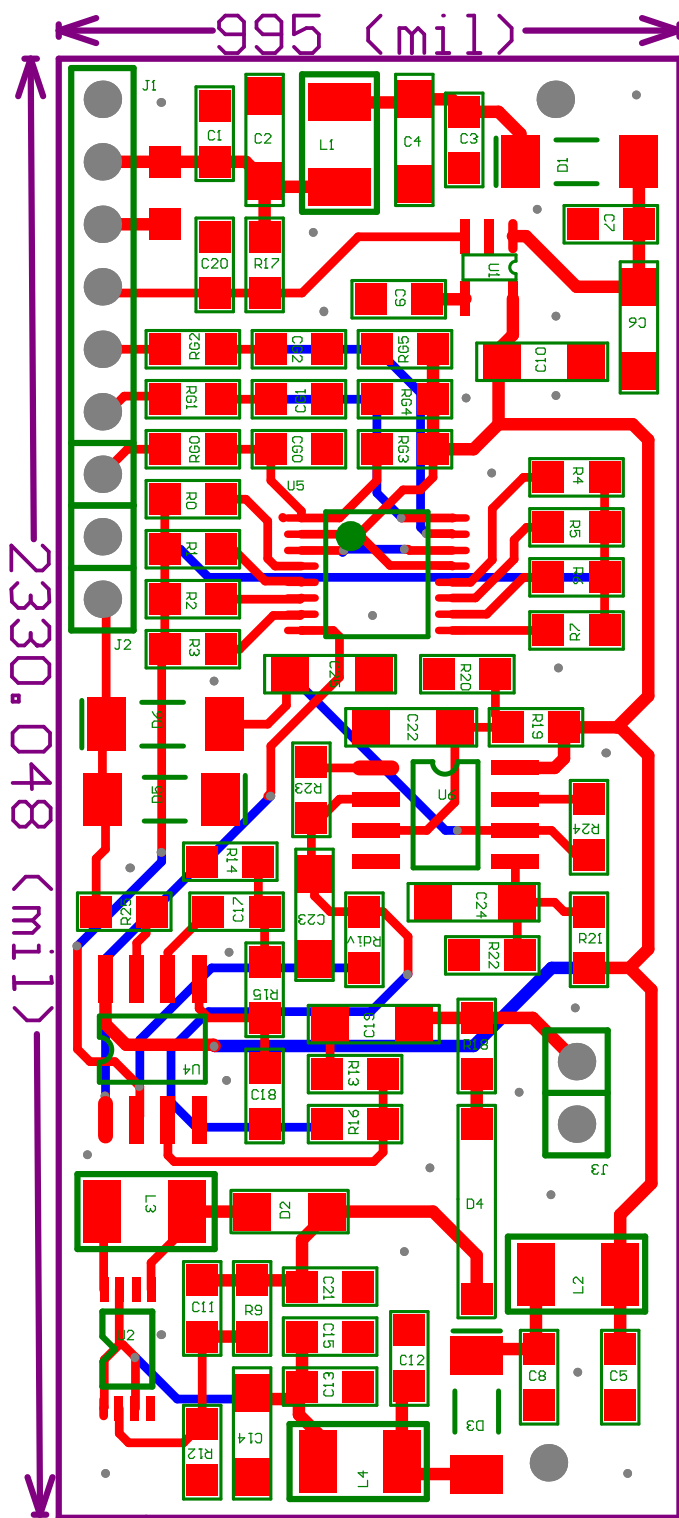


WWL VERSION

Title		
Size	Number	Revision
C		
Date:	2013-3-29	Sheet of
File:	E:\pcb\...\sch	Drawn By:



Comment	Description	Designator	Footprint	LibRef	Quantity
1uF	Capacitor	C1, C3, C5, C7, C8	RC1	CAP	5
47uf	Capacitor	C2, C4	RC2	CAP	2
10uf	Capacitor	C6, C10, C19	RC2	CAP, CAPACITOR POL	3
0.01uf	Capacitor	C9	RC1	CAP	1
4.7uF	Capacitor	C11, C15	RC1	CAP	2
0.1uF	Capacitor	C12, C13, C14, C29	RC1	CAP	4
680pF	Capacitor	C16	RC1	CAP	1
200p		C17	RC1	CAP	1
56p		C18	RC1	CAP	1
27pf	Capacitor	C20, CG0, CG1, CG2	RC1	Cap	4
10u		C22, C24, C25	RC2	CAP	3
22u		C23	RC2	CAP	1
	Diode	D1, D3, D5, D6	CAPMP5918X18N	DIODE	4
MBRS0540	Schottky Diode	D2	TAN	DIODE SCHOTTKY	1
Control-Current Diode	Diode	D4	CC-DIODE	DIODE	1
CON7	Connector	J1	SIP7	CON7	1
CON2	Connector	J2, J3	SIP2	CON2	2
220uH		L1, L2, L4	DIANGAN	INDUCTOR, INDUCTOR2	3
10uH		L3	DIANGAN	INDUCTOR2	1
0		R0, RG0, RG1, RG2, RG3, RG4, RG5	RC1	RES2	7
1K		R1, Rdiv	RC1	RES2	2
4.02K		R2	RC1	RES2	1
9.09K		R3	RC1	RES2	1
19.10K		R4	RC1	RES2	1
49.90K		R5	RC1	RES2	1
73.2K		R6	RC1	RES2	1
100K		R7, R13	RC1	RES2	2
185.1k		R9	RC1	RES2	1
10k		R10, R12	RC1	RES2	2
5.6K		R14	RC1	RES2	1
6.8K		R15	RC1	RES2	1
24.9K		R16, R22	RC1	RES2	2
Res2	Resistor	R17, R18	RC1	Res2	2
200K		R19	RC1	RES2	1
49.9K		R20	RC1	RES2	1
22K		R21	RC1	RES2	1
20		R23, R24	RC1	RES2	2
30		R25	RC1	RES2	1
LP2985		U1	2985	LP2985	1
tps61170		U2		Component_1	1
OPA2350		U4	SMD8A	OPA2340	1
MAX4638(1)		U5	max4638	HEADER 8X2	1
OPA2340		U6	SMD8A	OPA2340	1