

PA3329NL

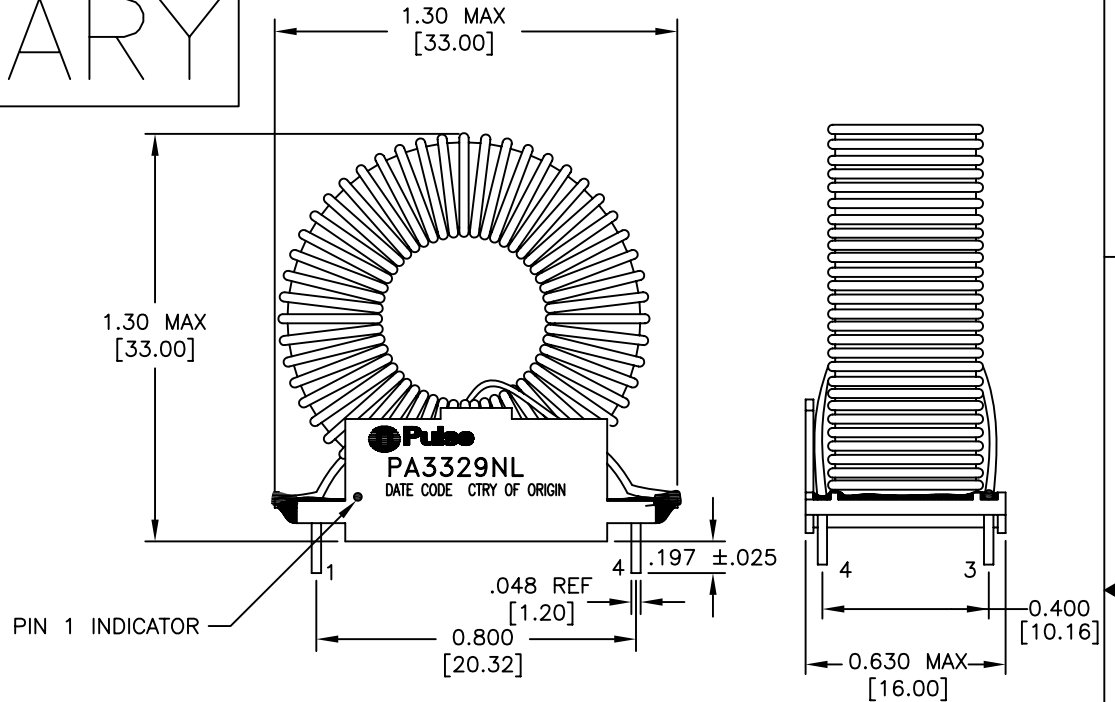
NOTICE: THE INFORMATION AND DESIGN CONTAINED HEREIN IS THE PROPERTY OF PULSE WHO RESERVES ALL RIGHTS THERETO.

PRELIMINARY

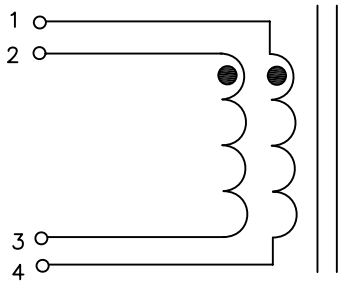
TEST NOTES:

UNLESS OTHERWISE SPECIFIED, TESTING IS TO BE PERFORMED AT 25°C ± 5°C.

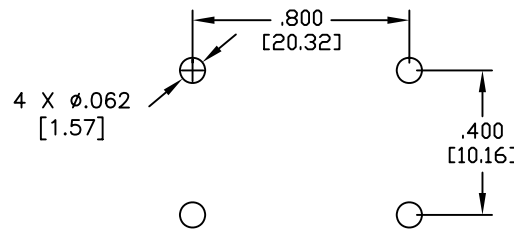
1. INDUCTANCE (OCL) : (100%) 10 KHZ, 25 mVRMS
(1,2-3,4) = 30.75 uH ±10%
2. INDUCTANCE (OCL): AT 10 KHZ, 25 mVRMS, 5.0 ADC
(1,2-3,4) = 26.0 uH MINIMUM
3. DCR:
(1,2-3,4) = 37 mOHMS(TYP), 42.5 mOHMS(MAX)



FINAL OUTLINE
DIMENSIONS BETWEEN [] ARE IN MILLIMETERS
[TURNS SHOWN ARE NOT EXACT]



SCHEMATIC



RECOMMENDED PCB LAYOUT

UNLESS OTHERWISE SPECIFIED, ALL DIMENSIONS ARE IN INCHES TOLERANCES ARE:

DECIMALS ANGLES
.XX ±.01 ± 1°
.XXX ±.005
DO NOT SCALE DRAWING

SIZE CAGE CODE
B01961

DWG. NO.

PA3329NL

REV X3

SCALE NONE

CADD FILE

PA3329NL-4

SHEET 4 OF 4