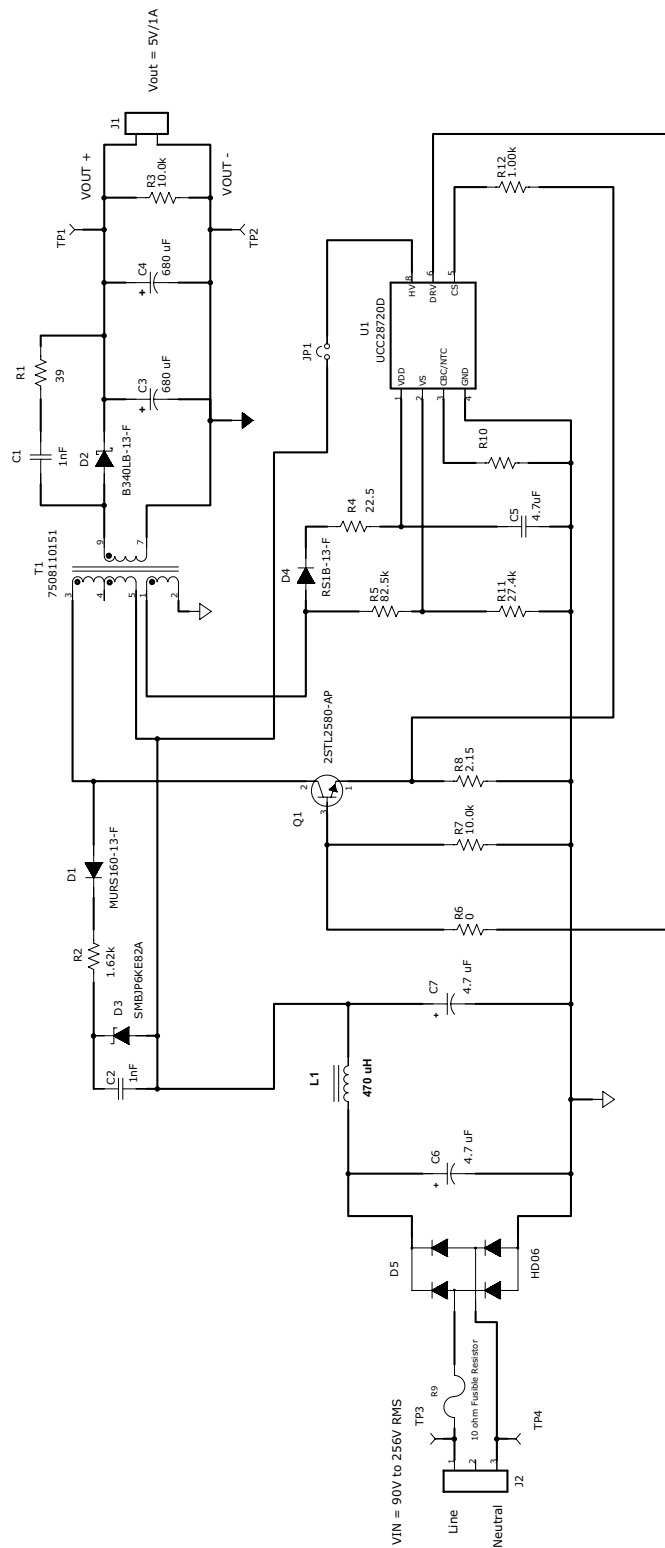


3 Schematic



No value means not populated

Figure 1. UCC28720EVM-212 Schematic