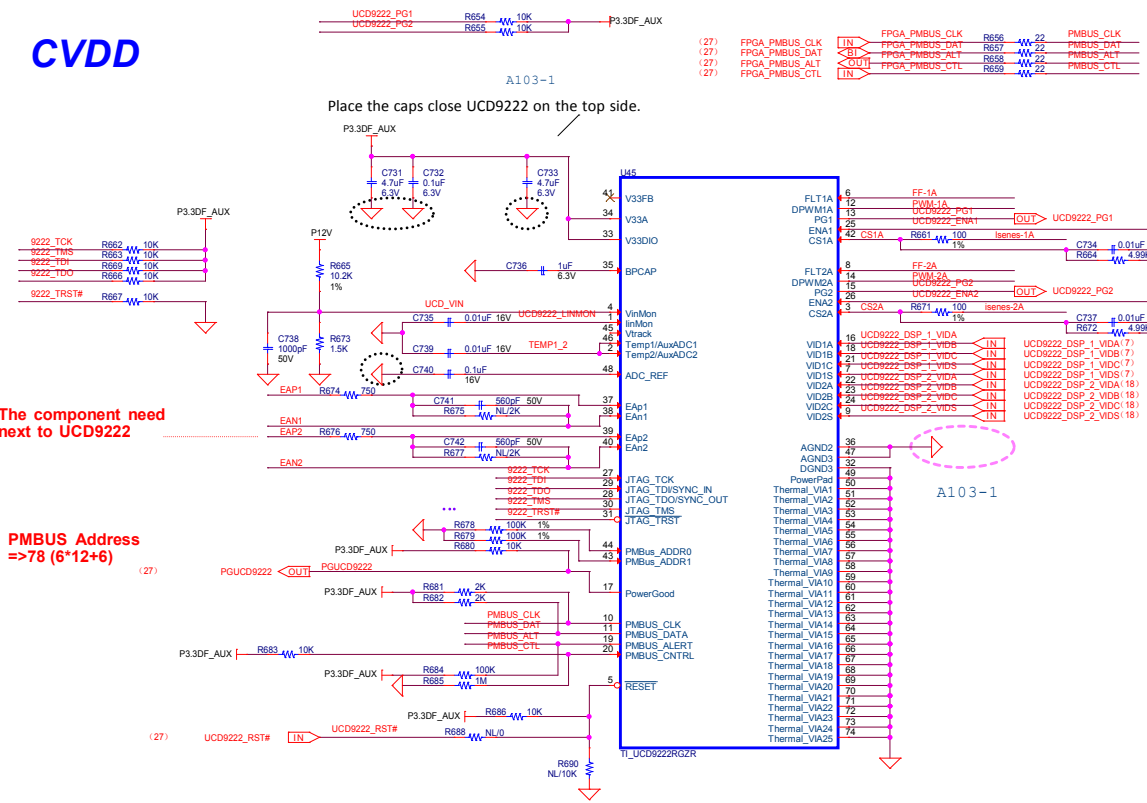
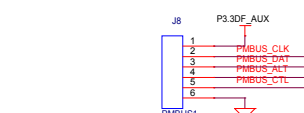


CVDD

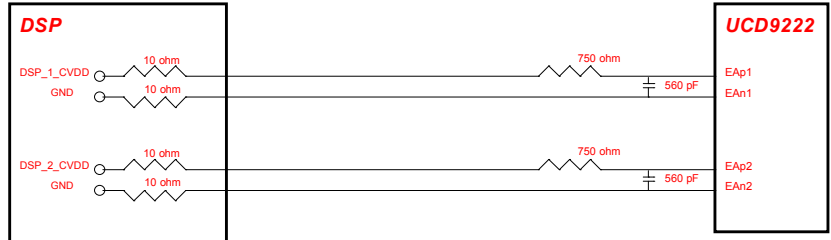


The component need next to UCD9222

PMBUS Address =>78 (6*12+6)

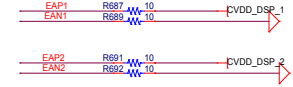


Each 22uF Cin cap needs to tightly coupled to Vin and PGND of the UCD7242.



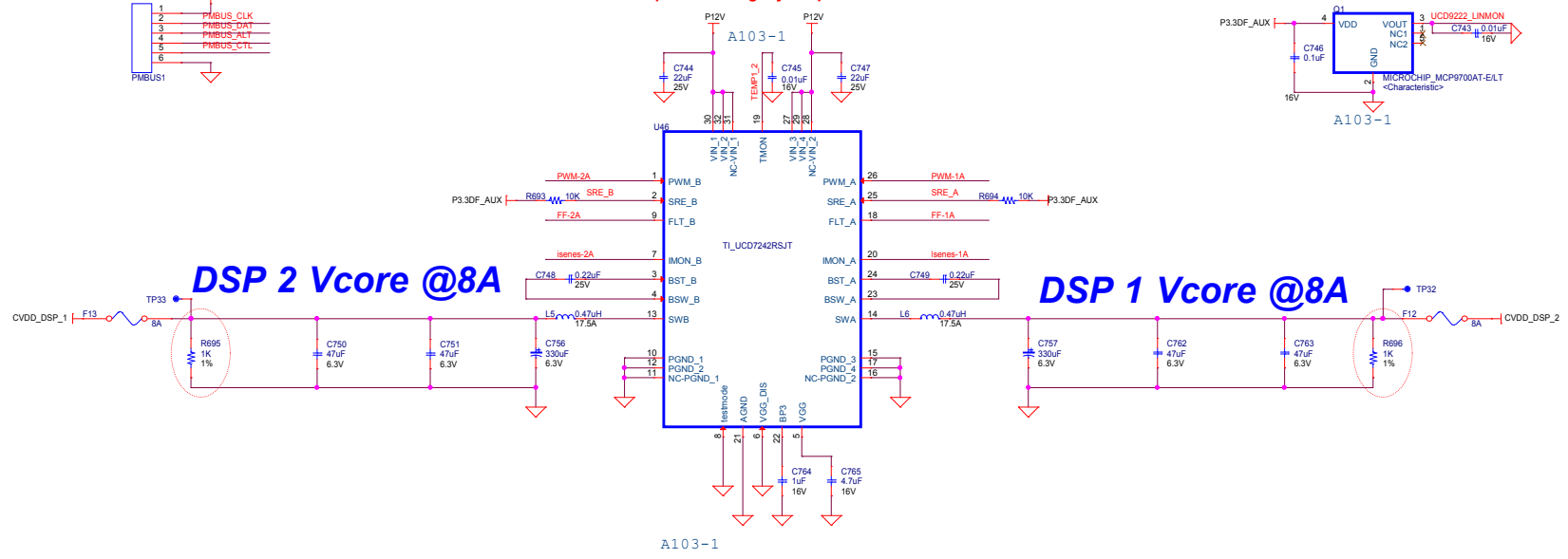
Corresponding "EA" Pins MUST be routed as differential signals and connected next to DSP for specific rails

Series resistors on EA nets to be placed at the load for proper voltage feedback.



DSP 2 Vcore @8A

DSP 1 Vcore @8A



Title	<Title>	
Size	Document Number	Rev
C	<Doc>	<Rev Code>
Date:	Friday, September 25, 2015	Sheet 32 of 34