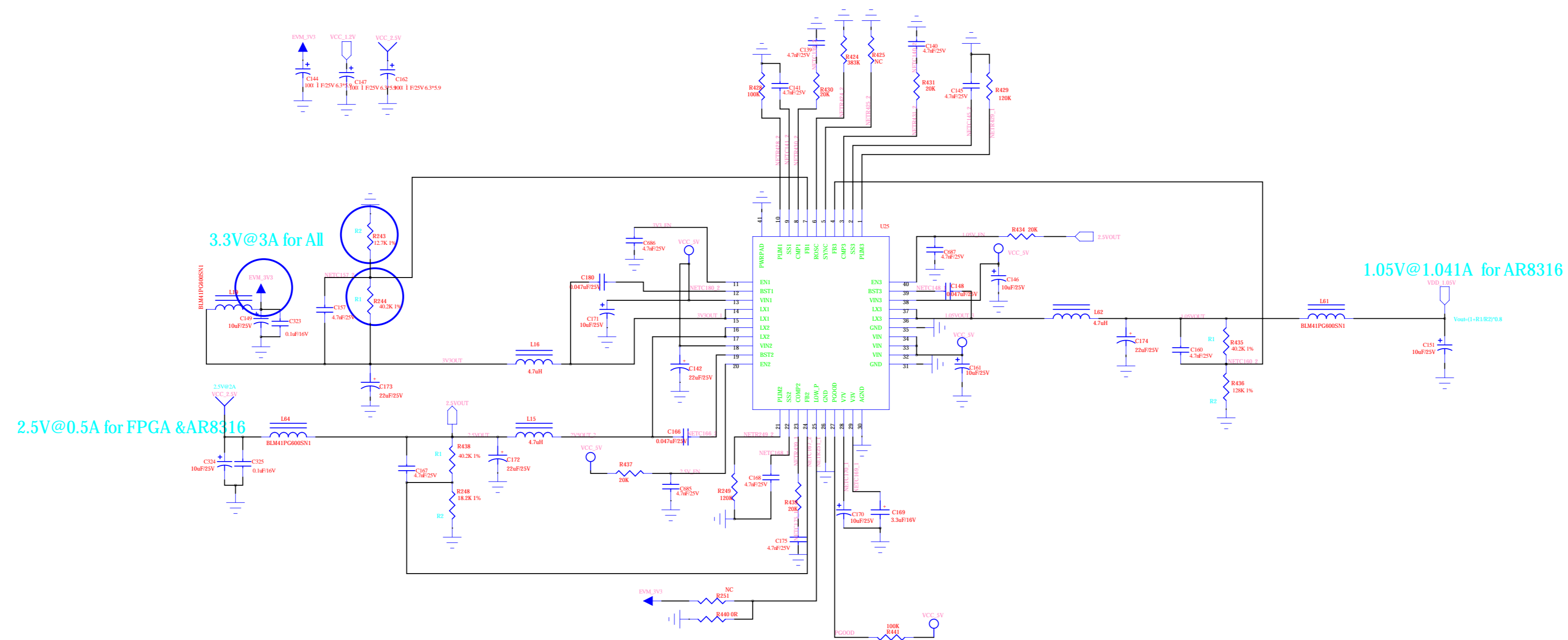


REVISION RECORD			
REV	REV No	APPROVED	DATE



COMPANY: <Company Name>			
TITLE: <Title>			
DESIGN: <Design By>	DATE: <Design Date>	DRAWING NO: <Drawing Number>	
CHECKED: <Checked By>	DATE: <Checked Date>	CODE: <Code>	REV: <Revision>
QUALITY CONTROL: <QC By>	DATE: <QC Date>	A1	
RELEASED: <Released By>	DATE: <Release Date>	SCALE: <Scale>	SHEET: 11 of 11