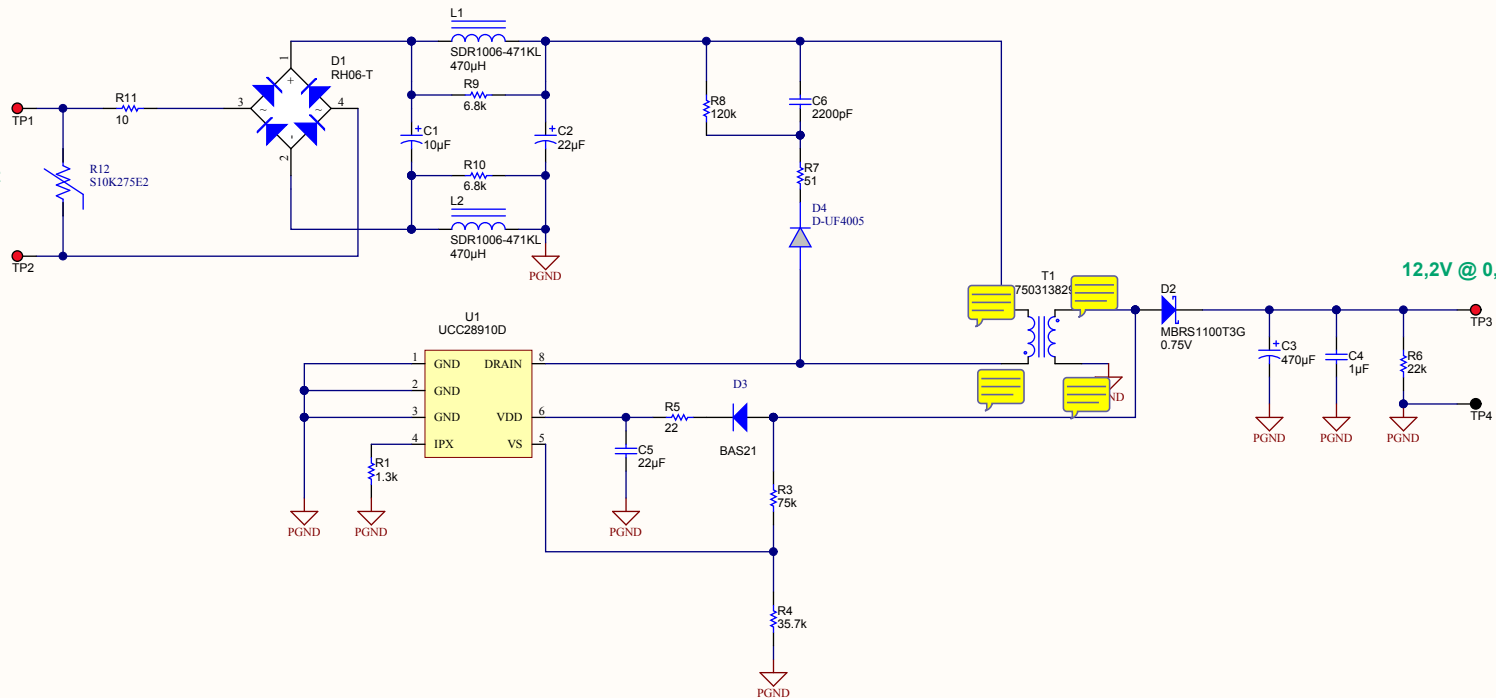


90VAC-265VAC Input

12,2V @ 0,5A max



Title		Universal Input to 12.2V @ 500mA	
Size	Number	Revision	
B	PMP8583		B
Date:	4/22/2013	Sheet of	1/1
File:	C:\Documents and Settings\... \PMP8583... Doc		