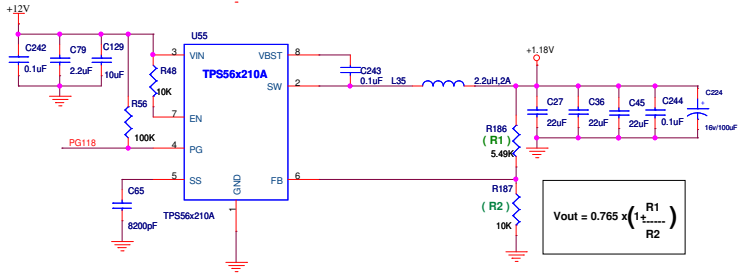
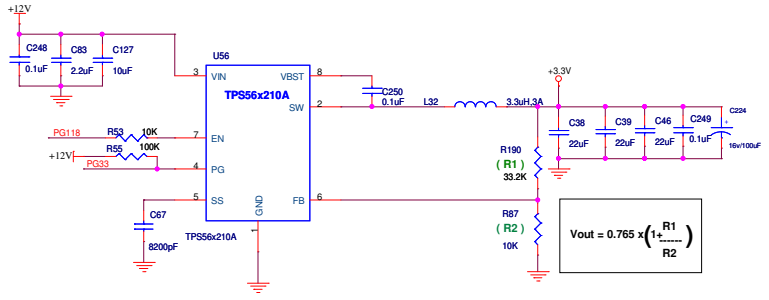


$$V_{out} = 0.765 \times \left(1 + \frac{R1}{R2}\right)$$



$$V_{out} = 0.765 \times \left(1 + \frac{R1}{R2}\right)$$



$$V_{out} = 0.765 \times \left(1 + \frac{R1}{R2}\right)$$

File	<Title>		Rev
Size	Document Number		A
B	<Doc>		
Date:	Sunday, December 18, 2016	Sheet	1 of 1