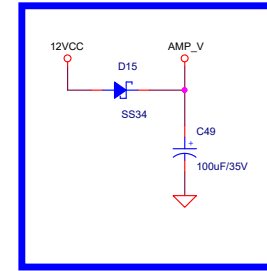
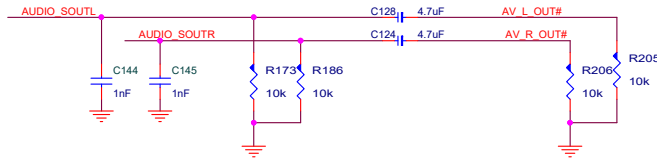
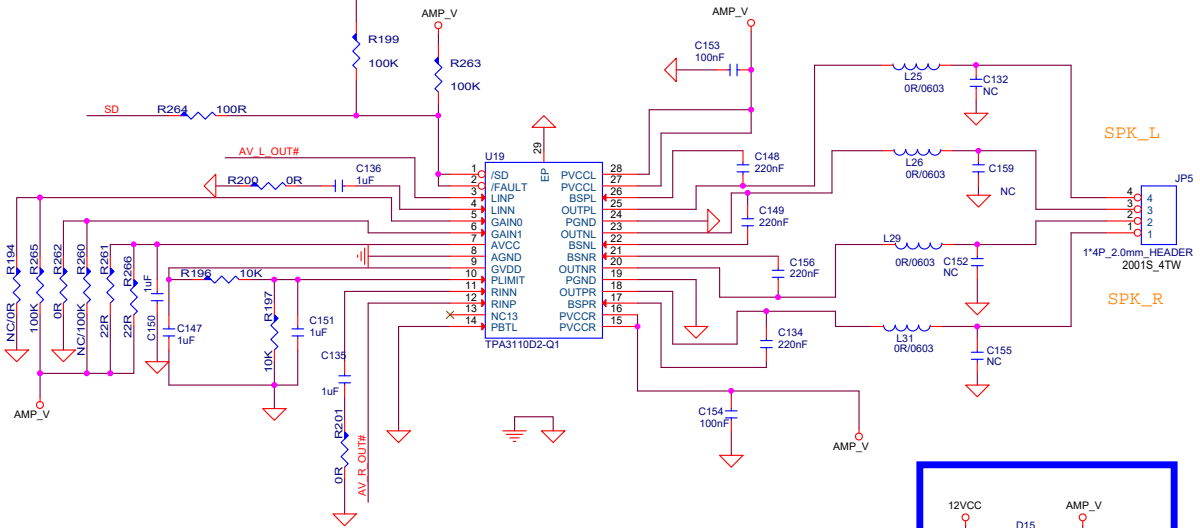


# AU. AMP

功放输出端增益放大倍数表

GAIN1	GAIN0	AMP	Input阻抗
0	0	20	60
0	1	26	30
1	0	32	15
1	1	36	9

Low Mute enable  
High Mute disabled



# MUTE. AMP

