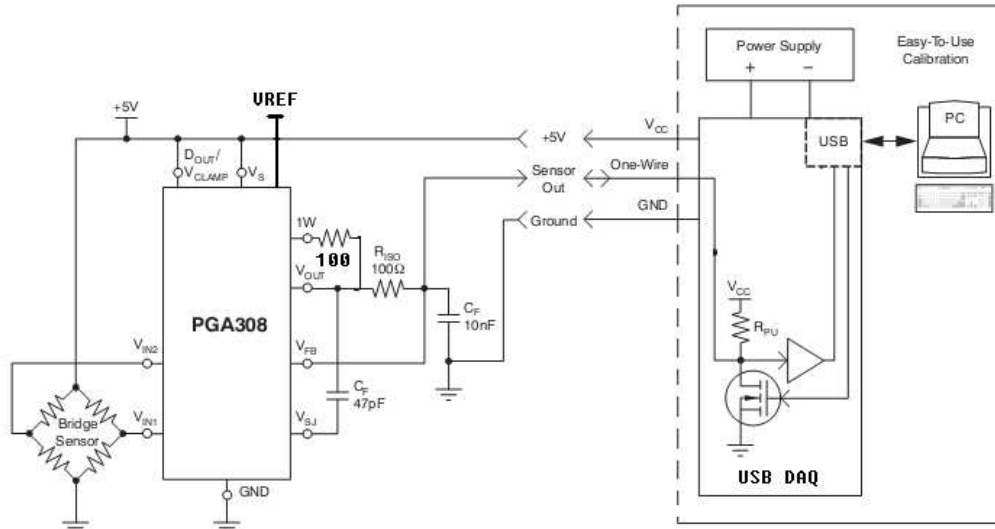
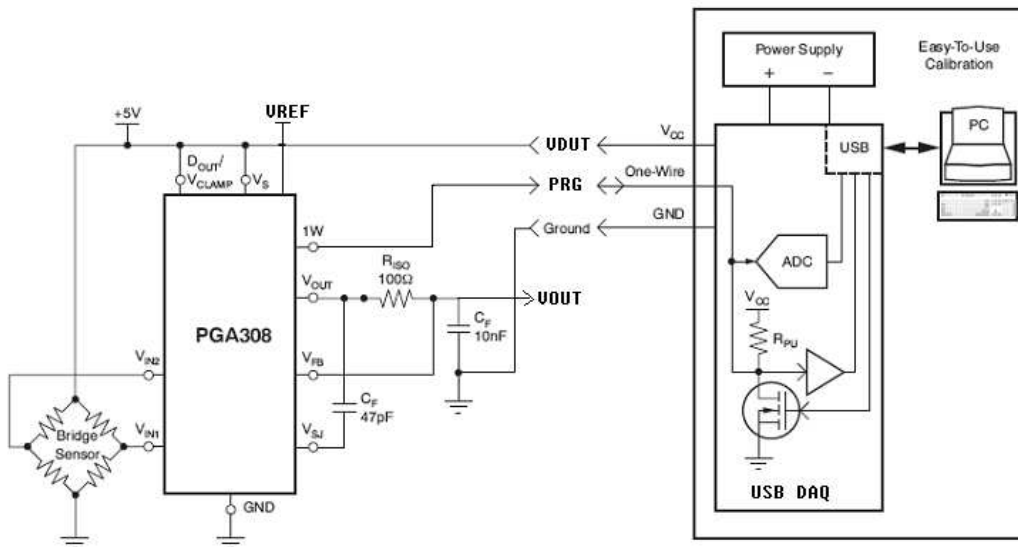


Connect sensor module with USB DAQ

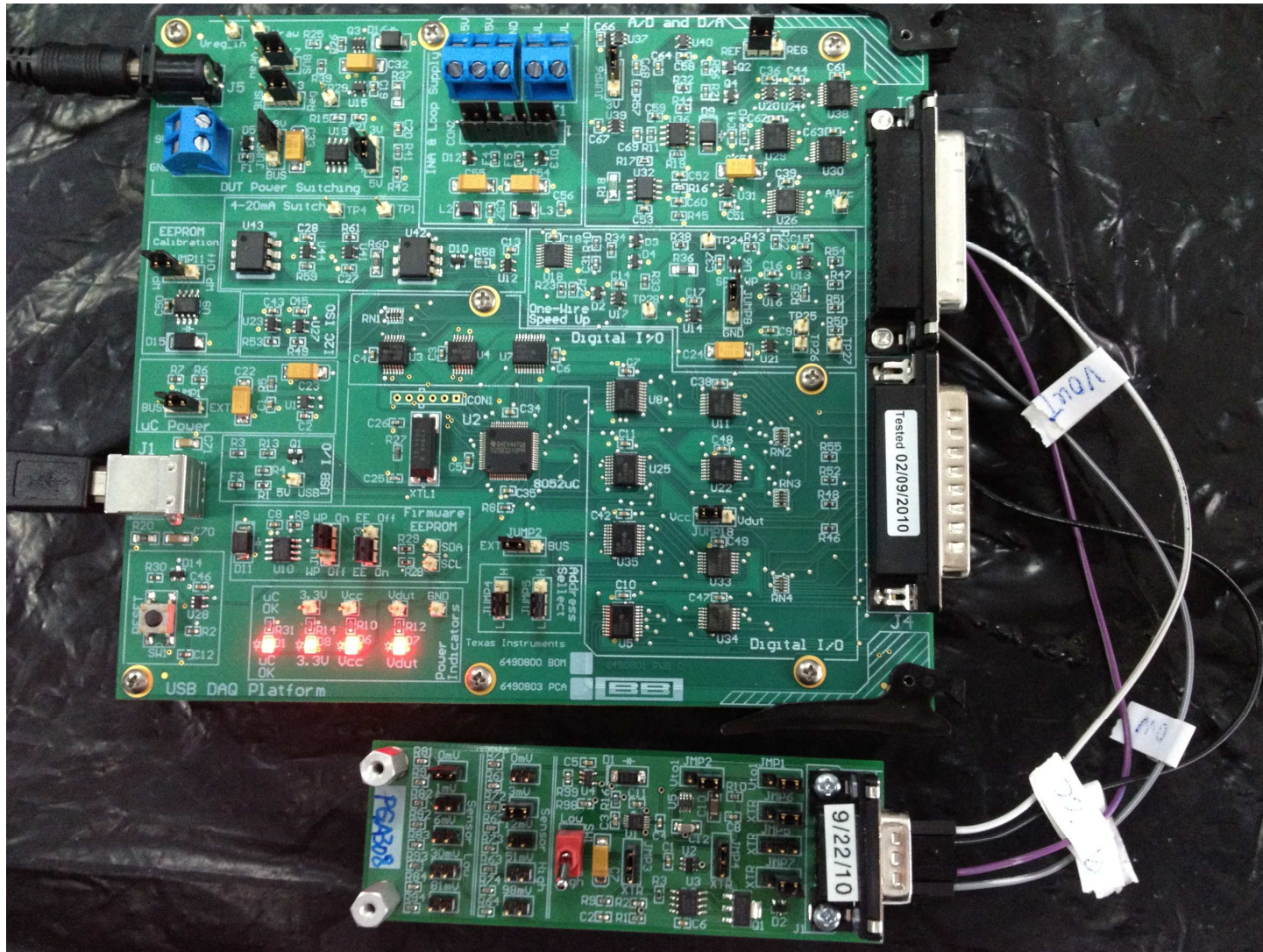


3 wire configuration
- PRG is tied to Vout

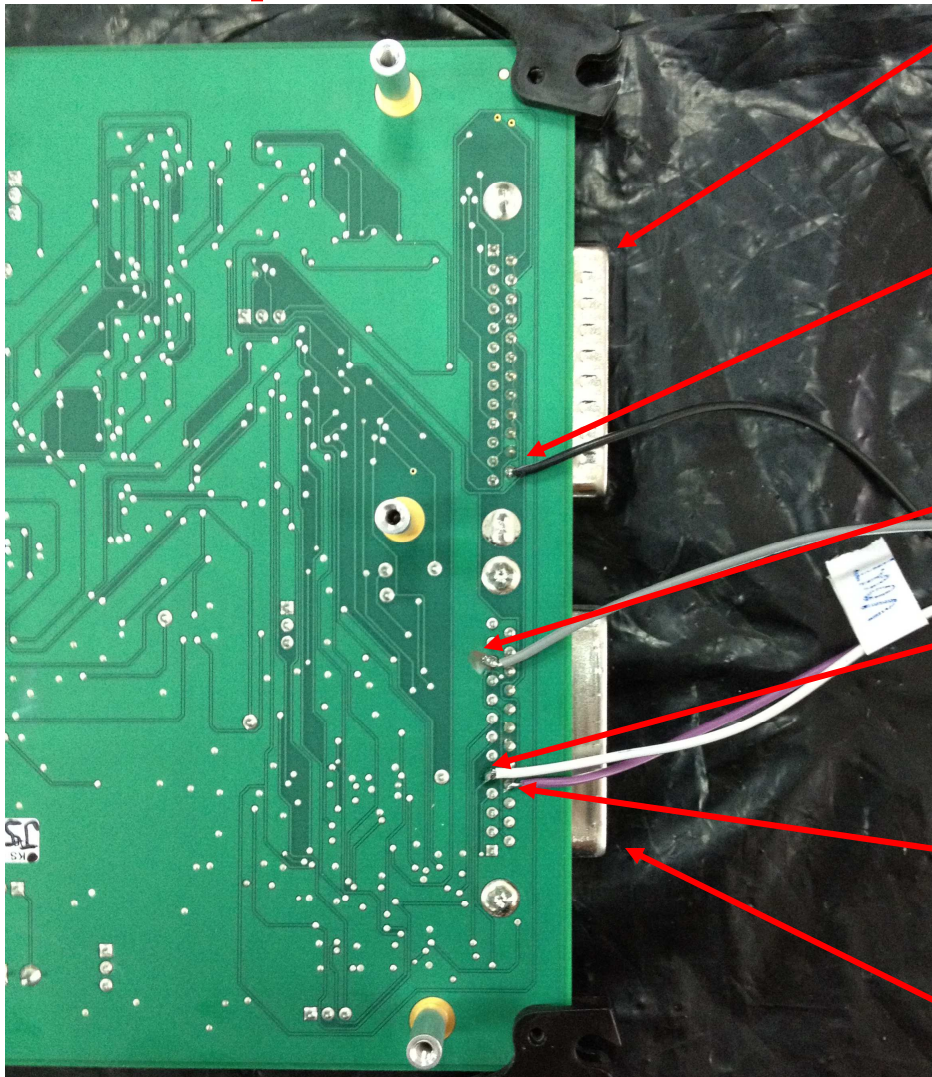


4 wire configuration

How to connect with real module



Close to USB DAQ, in case you have no mass production tools



USB DAQ J4

J4_PIN_25, **GND**

J3_PIN_11, **ONE WIRE**

J3_PIN_5, **VOUT**

J3_PIN_17, **VDUT**

USB DAQ J3

