

A Comprehensive Study of the Howland Current Pump

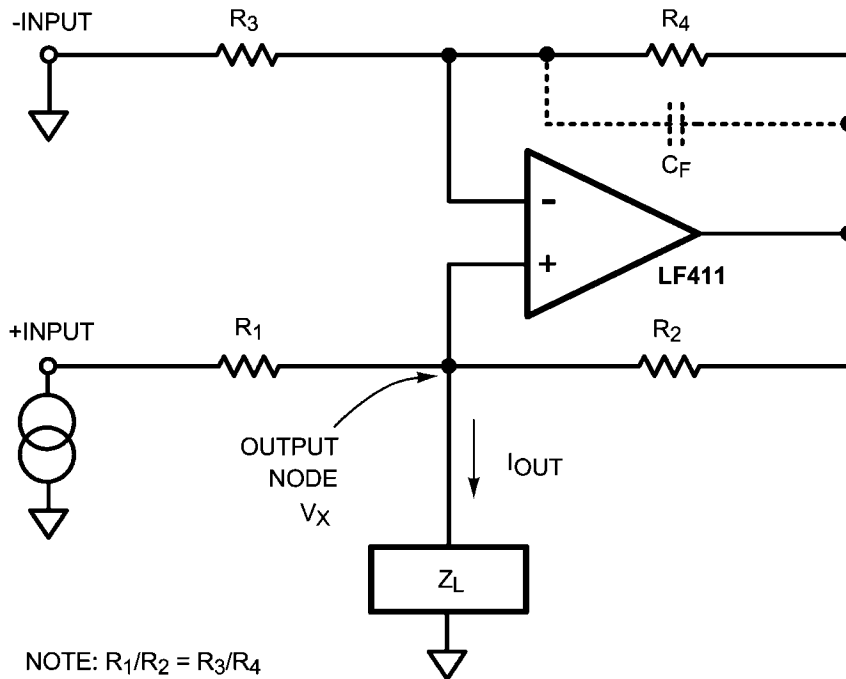
National Semiconductor
Application Note 1515
Robert A. Pease
January 29, 2008



A Comprehensive Study

It is well known to analog experts that you can use the positive and negative inputs of an operational amplifier to make a high-impedance current source (current pump) using a conventional operational amplifier (op amp). This basic circuit can put out both + and - output current (or zero current) into various loads. The theory is simple. But the practical problems involved are not so simple or obvious.

There are two basic circuits -- the Basic Howland Current Pump, *Figure 1*, and the "Improved" Howland Current Pump. The Basic circuit does good service for simple applications, but if its weaknesses are unacceptable, the "Improved" circuit may do much better for critical tasks. See *Figure 5*.



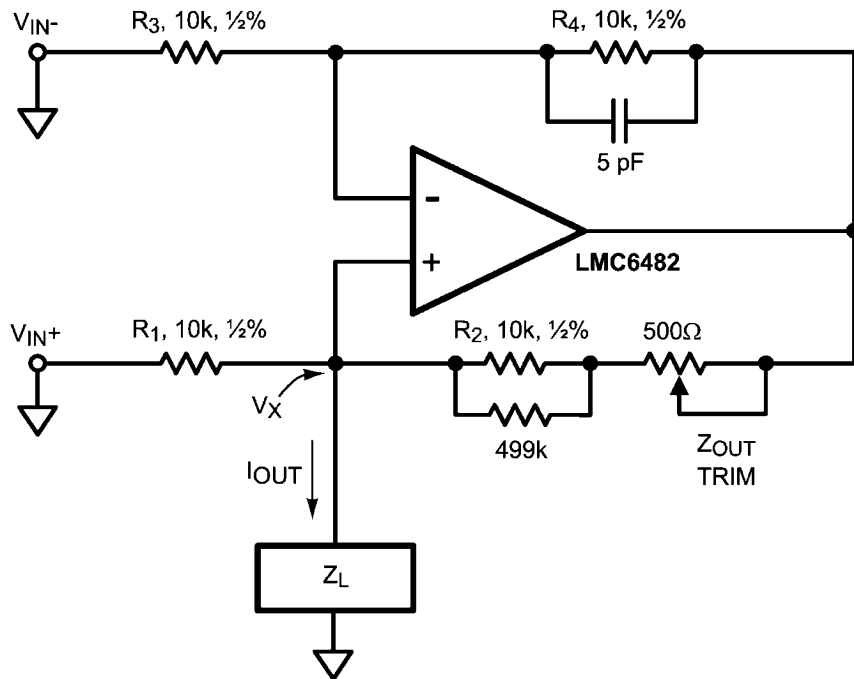
20203801

FIGURE 1. The Basic Howland Current Pump

Applications for the Howland Current Pump

Sometimes a unidirectional current source (or sink) is just right. It is easy to make them with high output impedance and wide range, using an op-amp and some Darlington-connected transistors. But sometimes you need a current pump that can put out a current in either direction -- or even AC currents.

The Howland current pump is usually excellent for that. Current sources are often used for testing other devices. They can be used to force currents into sensors or other materials. They can be used in experiments, or in production test. They can bias up diodes or transistors, or set test conditions. When you need them, they are useful -- even if you only need them once or twice a year.



20203802

FIGURE 2. Basic Howland Current Pump with Trim of Z_{OUT}

The "Basic Howland Current Pump" was invented by Prof. Bradford Howland of MIT, about 1962, and the invention was disclosed to his colleague George A. Philbrick (the analog computer pioneer who was head of Philbrick Researches, Boston MA at that time). This circuit was not patented. The Howland Current Pump was first published in the January 1964 "Lightning Empiricist", Volume 12, Number 1. It is Figure 5A on page 7 of an article by D. H. Sheingold, "Impedance & Admittance Transformations using Operational Amplifiers". This can be found at http://www.philbrickarchive.org/1964-1_v12_no1_the_lightning_empiricist.htm. It was also included in the Philbrick Researches Applications Manual, in 1965. Its elegance arises because the feedback from the output to both the + and - inputs is at equal strength -- the ratios of $R1/R2$ and $R3/R4$ are the same. While it is possible to analyze this circuit mathematically, it is easiest to just analyze it by inspection:

If the "output" node V_x -- which is the + input of the op amp -- is grounded, it is easy to see that the "gain" is $1/R1$, that is, the output current per change of the input voltage is equal to $1/R1$. So you don't need a fancy set of equations for that. The resistors $R2$, $R3$, and $R4$ have no effect when the output is grounded, and only the + input voltage is active.

When you move the - input upward, the gain to the grounded output node is $-R4/R3 \times 1/R2$. Since the ratio of the resistors is defined to be $R1/R2 = R3/R4$, then that gain is also equal to $-1/R1$. That is easy to remember! Note that the gain is reversed for the - input.

Thus it is easy to see that if both V_{in+} and V_{in-} are moved together, then there is no change of I_{out} . When V_{in+} rises, the "gain" to the output node is " $1/R1$ ". Then it follows that the gain for the - input is also " $1/R1$ " but with a negative sign. So this current pump can accept positive or negative inputs. It has true differential inputs. Now all that we need to show, is

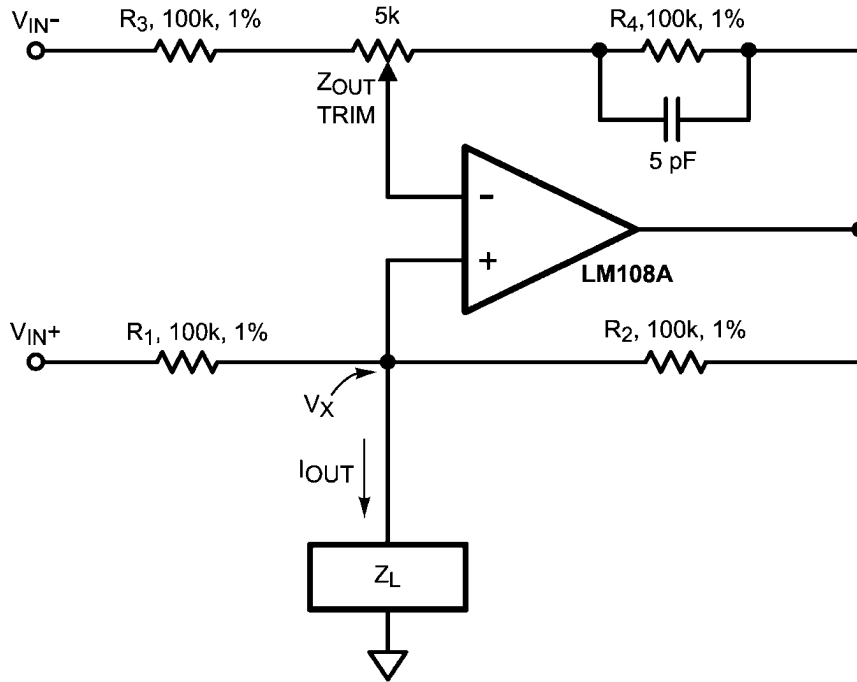
that the output impedance is high, so that the gain is correct for all output voltages and impedances, and for all inputs.

It is easy to see that the output impedance is very high, using this analysis: If both signal inputs are grounded, and if the "output" node V_x is lifted up, somebody has to drive the resistance " $R1$ ". But as the op-amp's + input is lifted, the - input must also rise up, and the output also rises, providing just enough current through $R1$ to cancel the current flowing through $R2$, thus making the output impedance very high indeed. The principle of linear superposition says that no matter what is V_{in+} or V_{in-} , and no matter what is Z_{load} , and no matter what is V_{out} (within the limitations that you shouldn't ask the op-amp output to put out more than it can do, in voltage or current), the I_{out} will be $(V_{in+} - V_{in-}) \times 1/R1$. If you like to see a lot of fancy equations, see at Appendix A.

Most applications notes just indicate the circuit and the ratio, that $R1/R2$ must be equal to $R3/R4$. However they do not indicate how important it is to have precise matched or trimmed resistors. If all 4 resistors were 10 k ohms with a 1% tolerance, the worst-case output impedance might be as bad as 250 k ohms -- and it might be plus 250k, or it might be minus 250k! For some applications, this might be acceptable, but for full precision, you might want to use precision resistors such as 0.1% or even 0.01%. These are not inexpensive! But it may be preferable to use precision resistors rather than to use a trim pot, which has to be trimmed (and which may get mis-trimmed).

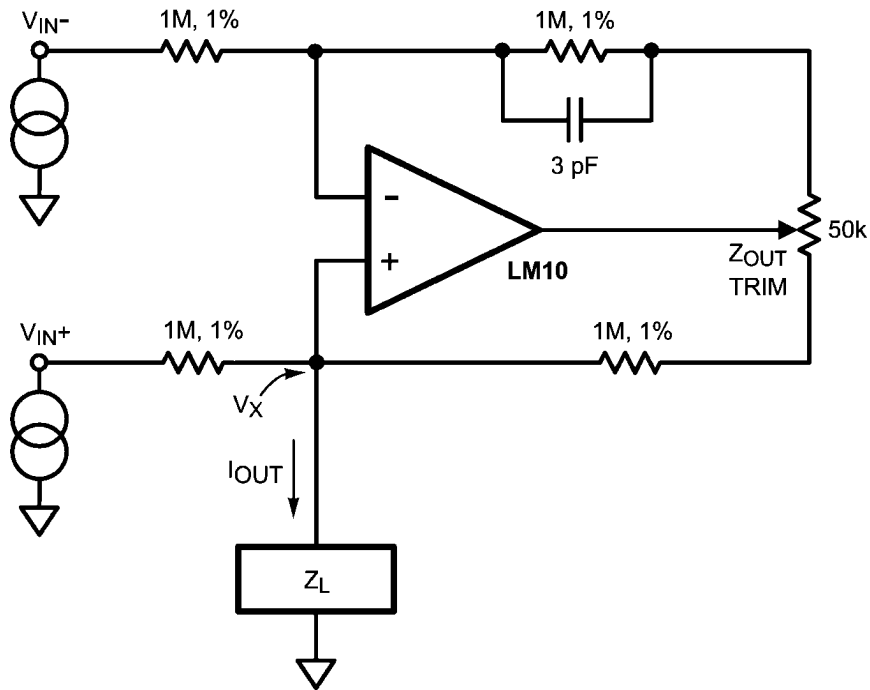
Note that if you use adjacent resistors from a tape of 1% resistors, the odds are that they will match better than 1/2%. But that is not guaranteed!

Figure 2, Figure 3, and Figure 4 show ways to use a trim-pot to make the output impedance very high. Typically, using 1/2% resistors and one trim pot, you can trim the output impedance to be 5 ppm of I (full scale) per volt.



20203803

FIGURE 3. Basic Howland Current Pump with Trim of Z_{OUT}



20203804

FIGURE 4. Basic Howland Current Pump with Trim of Z_{OUT}

However the resistor tolerance is not the only thing that needs to be trimmed out. The CMRR of the amplifier needs to be accommodated. Fortunately, an amplifier CMRR of 60 dB would cause the output impedance to degrade only to 10

megohms, not even as bad as 0.1% resistors would cause, in the example above. And many amplifiers have CMRR better than 80 dB. However, the CMRR of an op-amp is not always linear -- it may be curvy or it may be otherwise non-

linear. Some amplifiers that have the advantage of rail-to-rail inputs may have a nonlinear V_{os} which may jump a millivolt or more as the CM signal gets within a couple volts of the + rail. Amplifiers with bipolar inputs often do have this kind of nonlinearity. Amplifiers such as LM6142 and LM6152 have nonlinearities of this type. See Appendix B. Some CMOS amplifiers such as the LMC6482, LMC6462, etc. (See Appendix C) have a fairly linear curve of V_{os} , with no jumps, due to proprietary input process and circuit design.

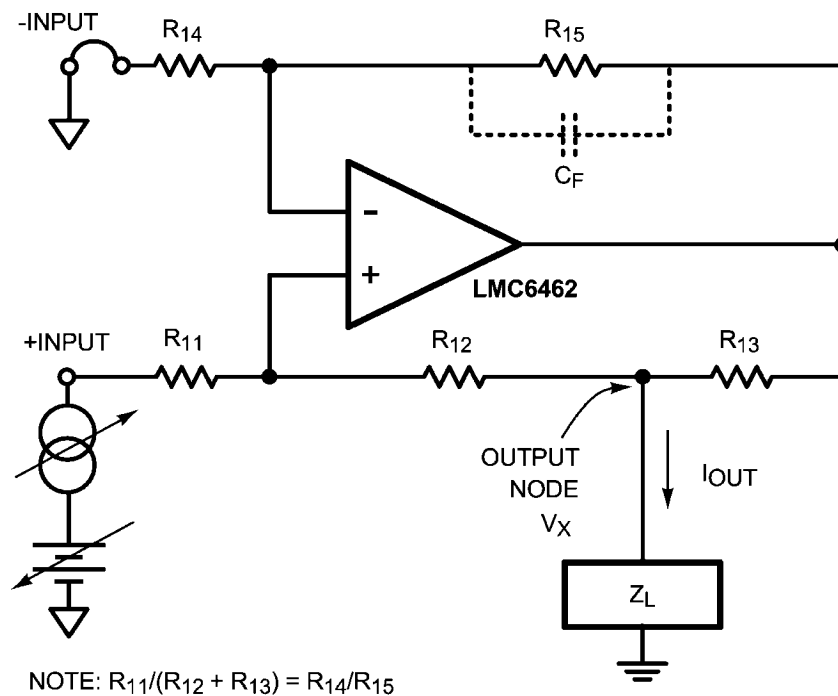
One of the weaknesses of the Basic Howland Current Pump is its output capability. Its output node does not normally swing very close to the rail. For example, the basic 10k/10k/10k/10k scheme can only swing its output node to + or - 5 or 6 volts, with ± 15 -volt supplies. If the output node rises a lot, the op-amp's output would have to rise about twice as high. When that is no longer possible, the "Improved Howland" should be considered.

If you kept the gain resistor R1 as 10k, and change R2 and R4 to 1k, you could make a 10k/1k, 10k/1k circuit, that would

let the output node rise to 10 volts with a good amplifier. However, this is a little less accurate, with more offset and noise. Another weakness of the Basic circuit is the inefficiency. If you want to have a gain of (1/100 ohms), with R1 at 100 ohms, the amplifier has to put out a lot of drive, if the load voltage swings a lot. If the load is a low voltage, such as a diode, that may not be so bad. If the load only rises a half volt, only a few mA will be wasted. But if it had to rise 5 volts, that is a lot of power wasted!

If you had to drive a heavy load, you do not have to have equal resistances at R1 and R3. You could have 100 ohms, 100 ohms for R1/R2, and 10k/10k for R3/R4. Then if you want to drive the - input, the input impedance will not be very heavy. However, when you have this imbalance, you must be careful that the amplifier's I_b does not cause a big error, which may be significant if a bipolar input op amp is used.

To avoid these weaknesses of the Basic Howland, the "Improved" Howland generally does solve many of these problems, very well. See Figure 5.



20203805

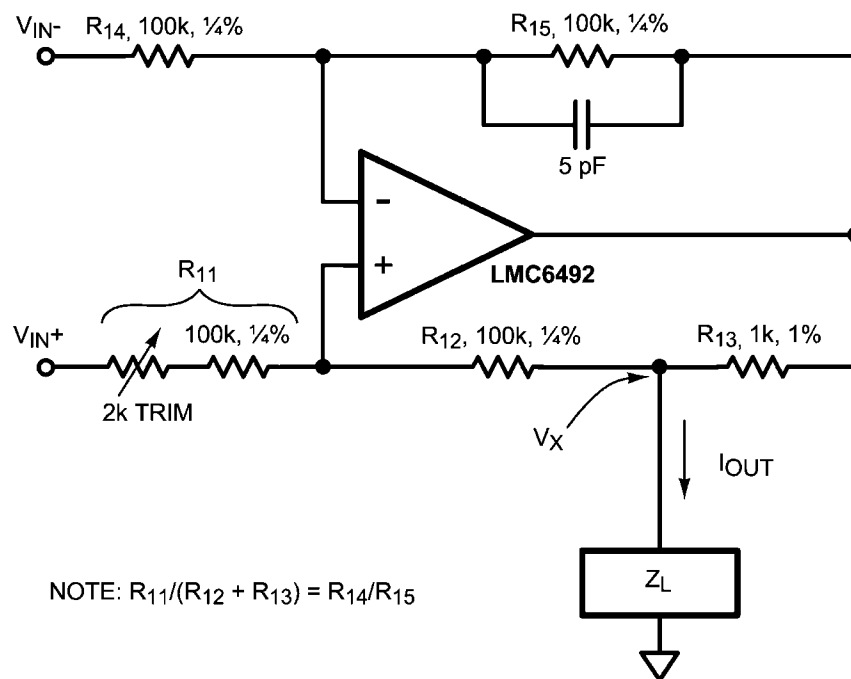
FIGURE 5. The "Improved Howland" Current Pump

The "Improved Howland" Current Pump

In this case, you still have to trim the R's to get good CMRR and high output impedance. But the gain is set by R13, modified by the ratio of R14/R15 (which is typically 1/1). Consequently you can use low values for R13, and keep all the other resistors high in value, such as 100k or 1 Megohm.

In the "Improved" Howland, note that it is not just the ratio of R11/R12 that must match R14/R15; it is the ratio R11 / (R12 + R13) that must be equal to R14/R15. If you do the intuitive

analysis as mentioned above, you can see that if R14 = R15, R12 will normally be (R11 - R13). Conversely, you could make R11 a little higher, to get the gain to balance out. You could put a 2k pot in series with R11. This "improved" circuit can now force many milliamperes (or as low as microamperes, if you want) into voltages as large as 10 volts, with good efficiency. See Figure 6.



20203806

FIGURE 6. The "Improved Howland" with Trim for Z_{OUT}

Dynamics

Most engineers know (if you remind them) that it's a good idea to add a feedback capacitor across the feedback resistor of an inverting amplifier. The Howland Current Pump does like a little bit of feedback capacitor there, across R4 (or R15). A small feedback cap of 3 to 5 to 10 pF is almost always a good idea. If you are putting in a really slow current, and if the rate of change of the output voltage at the output node is not high, you could make the Cf equal to 100 or 1000 pf, to cut down the bandwidth and the noise.

Most engineers have not analyzed the dynamics of this circuit. According to the detailed analysis (at Appendix D) the "output capacitance", as seen at the output node can be as large as 80 pF, for an ordinary 1 MHz op amp. However, there are many fast amplifiers available these days, so it is usually easy to select one with a lot more bandwidth than that, if you need it. But you have to remember to design for that.

The equation for the output capacitance of the Improved Howland is derived in the latter part of Appendix E. This may be slightly better than for the standard Howland.

Choice of Amplifiers

Almost any op-amp can be used in a Howland current pump. However, if you need a wide output voltage range, a high-voltage amplifier, running on ± 15 volts (or more) may be needed. Conversely, if you only need a small V_{out} range, a low-voltage CMOS amplifier may work just fine. As with any amplifier application, choosing the amplifier may take some engineering, to choose the right type. For high impedance applications (resistors higher than 0.1 Megohm), FET inputs may be a good choice. If you have one left-over section of LM324, it can even do an adequate job, for resistors below

100k. A list of amplifiers with Bipolar inputs (and generally wider signal ranges) is found in Appendix B. A list of CMOS amplifiers with very high Z_{in} (but smaller output range) is in Appendix C.

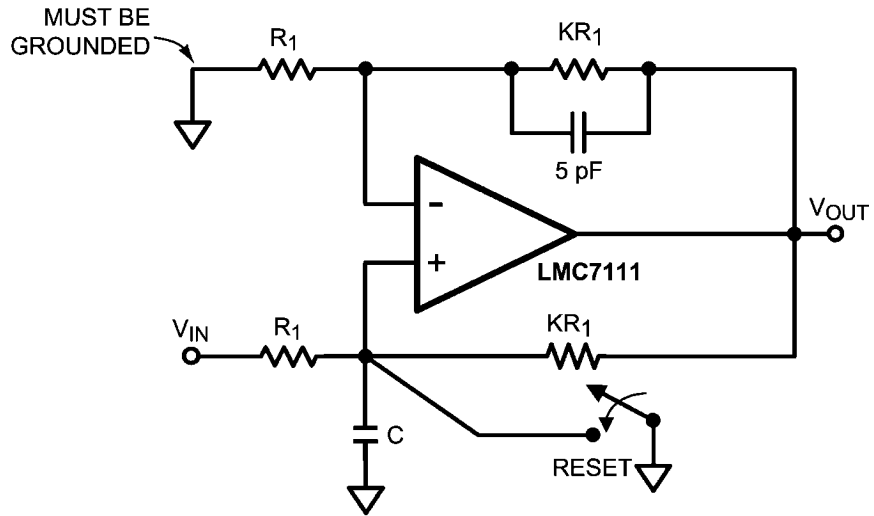
If you needed a ± 6 volt output swing, you might not need a ± 15 -volt op-amp. The "Improved Howland" may be able to swing that far, using a good CMOS op-amp running on ± 7 volts, such as LMC6482. The "Improved" Howland is much more effective in terms of output swing.

Current-feedback amplifiers are not normally good choices for the Howland current pump, as they mostly work best at low impedances. And their CMRR is rarely as good as 58 dB. But if you need a blindingly fast current pump at fairly low impedance levels (100 ohms to 2k), current-feedback amplifiers can do a good job. Be aware that they may need a good bit of trimming to counteract their poor CMRR.

Special Applications

The Howland Integrator

One of the obscure applications for the Howland Current pump is the "Howland Integrator", shown in Figure 7. This is sometimes called a "DeBoo Integrator". If a capacitor is used as the load, the Amplifier's V_{out} can be easily seen to be: $V_{out} = 2 \times 1/RC \times \int V_{in}/dt$. (This assumes that $R1/R2 = R3/R4 = 1$.) Of course, this integrator has to have some means to reset it, just as every integrator does. However, it is fairly easy to reset the integrator with a single FET or switch to ground, as shown. The Howland Integrator only works using its + input, as the - input must be grounded. It has a positive gain, as opposed to the conventional inverting integrator.



$$V_{OUT} = (1 + K) \frac{1}{(R_1 C)} \int V_{IN} dt$$

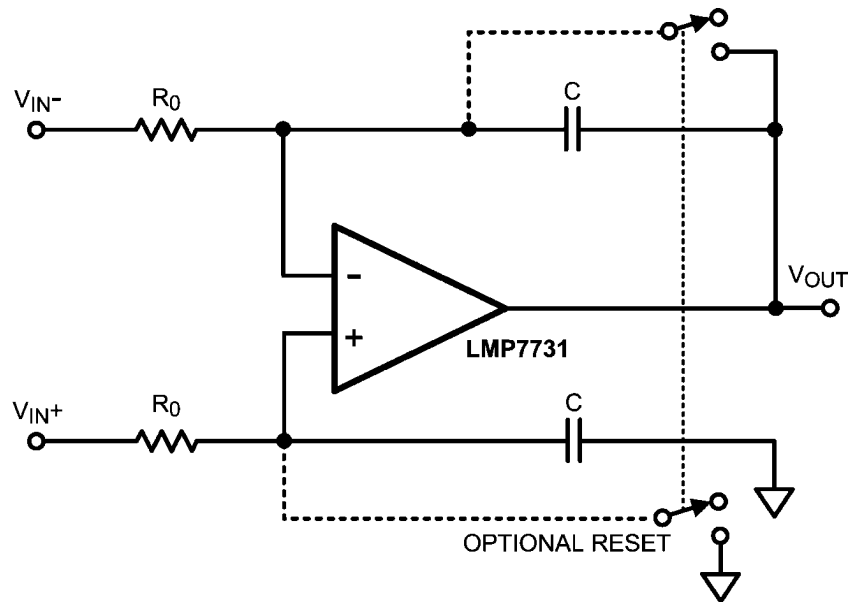
$$= \left(\frac{2}{R_1 C} \right) \int V_{IN} dt, \text{ if } K = 1$$

20203807

FIGURE 7. The Howland Integrator

This is much easier to use than the rarely-used Positive Integrator (see Figure 8), which would need TWO FET switches to reset it. That integrator is rarely used, for obvious reasons, but it can be used in loops which inherently provide some feedback to bring the output back to a low level, and to keep

it zeroed. For example: a servo integrator, that will pull an error back to zero, can work well. This "positive integrator" actually is a differential integrator, with positive and negative signal input gains. It can be used with either input active, or BOTH.



$$V_{OUT} = \frac{1}{R_0 C} \int (+V_{IN+} - V_{IN-}) dt$$

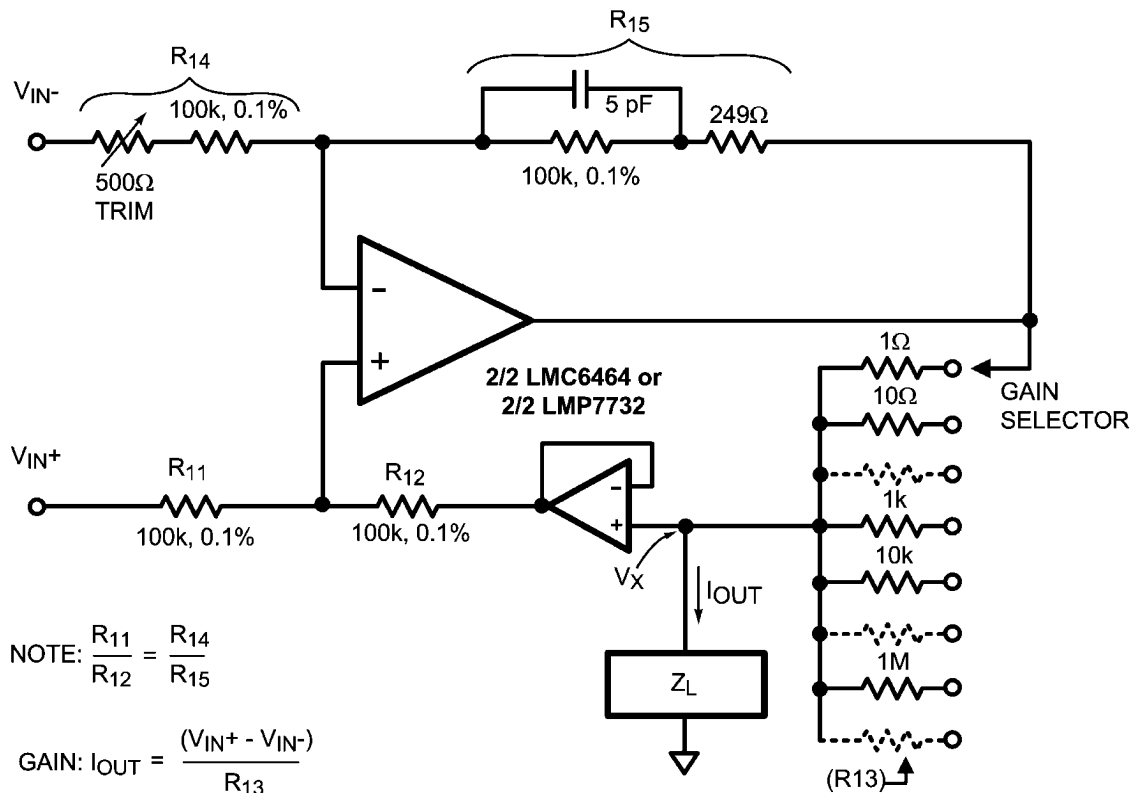
20203808

FIGURE 8. The Positive or Differential Integrator (not a Howland Circuit)

Multi-Range Current Pump

If you want to use a Current Pump with various different ranges (such as connecting in various Gain resistors of 1 ohm, 10 ohms, ..., 1k, 10k, ..., 1 M, etc., etc....) it is possible to add one precision op amp to allow you to change ranges

without affecting the other resistors. A precision FET-input op amp with good CMRR can be used as the unity-gain follower, as shown in *Figure 9*. The resistors should be trimmed to take into account, (and trim out the effect of) the CMRR of BOTH operational amplifiers. A typical trim scheme is shown.



20203809

FIGURE 9. Multi-Range Current Pump

Appendix A. Output Impedance as a Function of Trimming

If a basic Howland Current pump has 4 equal resistors, it is easy to see that the tolerance of any one resistor can cause the output impedance of the circuit to be as bad as $(R1 \times 1/\text{tolerance})$. If the tolerance is 1% and you are using 10k resistors, the output impedance could be as high as 1 megohm. In fact, the output impedance could be as high as "plus 1 megohm" or it could be a negative output impedance of MINUS 1 megohm.

Most engineers are not very familiar with the concept of "negative resistance". In a case like this, if the Howland Current Pump is connected to a small capacitor, a conventional "positive" output resistance would mean the output would gradually droop down toward ground (assuming small V_{os} of the op amp). If the output impedance were very high, the V_{out} would just stay constant. If the output impedance were negative, the output voltage would rise up faster and faster! Or it would descend NEGATIVE, faster and faster!

If $R1$ is too low, the output impedance will be "positive". If $R4$ is also too low, that helps make the output impedance lower, and positive. If $R2$ and $R3$ are too high, they all add up to the worst case, where Z_{out} would be $1/4$ megohm.

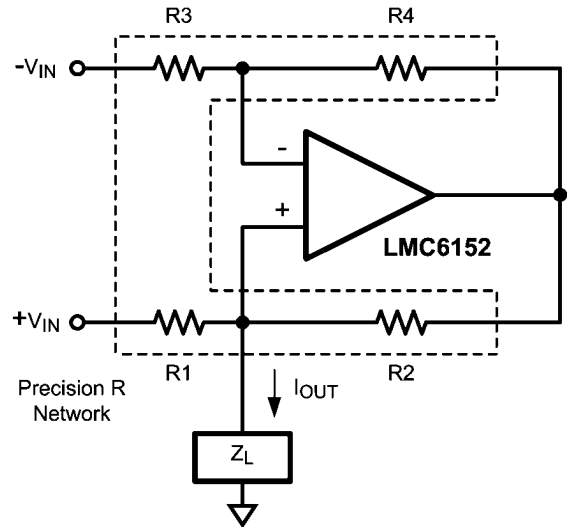
If $R1$ and $R4$ were HIGH in tolerance, and $R2$ and $R3$ were too LOW, the output impedance could be as poor as NEGATIVE 250k. Both of these cases would be usually unacceptable, for any precision application, because the circuit is normally capable of being 200x higher than that, in its output impedance.

Some of the possible solutions to this tolerance problem are

1. Buy resistors with tighter tolerances - or
2. Sort and match them by pairs. This is cheap and simple if you only need a small number of well-matched resistors, and you don't want to go out and buy special parts. Just match the R's you have.
3. Add a trim-pot in series with one of the resistors, and add a compensating resistor of about half that size, on the opposite side, to let you trim the ratio up or down a little. Of course, if any pot can be adjusted, it can also be mis-adjusted.... Per *Applications for the Howland Current Pump*, *Figure 3* or *Figure 4*.
4. Buy matched sets of tightly-matched resistors. These can be purchased in sets of 4 for a couple dollars, in an SOIC package, such as four 10k resistors matched to 0.1% or even to 0.01% of ratio. See *Figure 10*. Resistors such as Caddock T914's (in SIP packages) can be found at: http://www.caddock.com/Online_catalog/Mrktg_Lit/TypeT912_T914.pdf These are available with matching

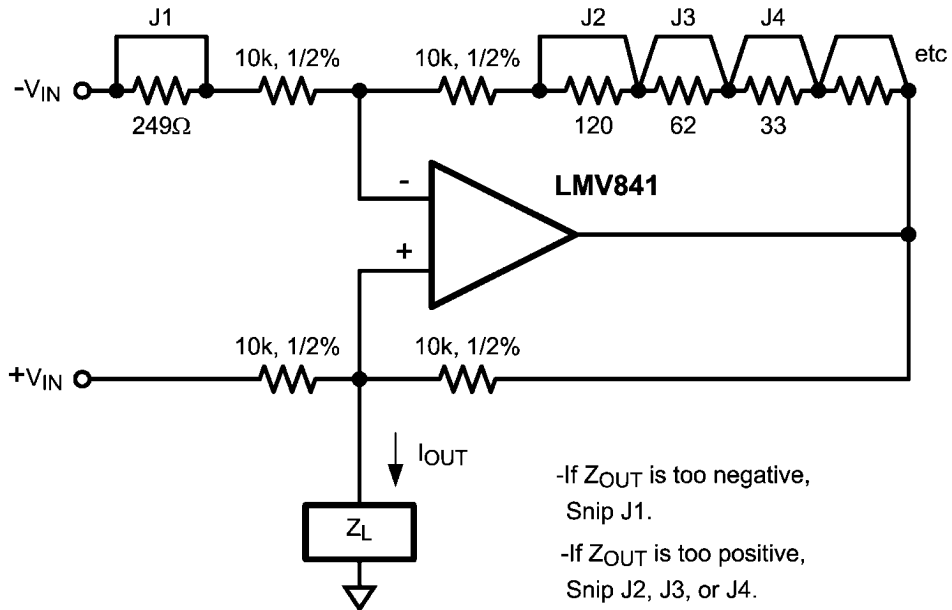
down to 0.01%. Resistors such as Vishay Beyschlag ACAS 0612's are at www.vishay.com The catalog lists these as good as 0.1% matching, in Surface Mount packages. Bourns has thin-film networks in DIPs (4100T Series) and in surface mount packages (4400T Series) at: <http://www.bourns.com>. Their tolerance is better than 0.1% but the matching specs are not listed.

5. Use the techniques of NSC's Linear Brief LB-46 to make snip-trimmed resistors, to avoid the problems with pots. See Figure 11.



20203813

FIGURE 10. Basic Howland Current Pump with Precision Resistor Network



-If Z_{OUT} is too negative,
Snip J1.
-If Z_{OUT} is too positive,
Snip J2, J3, or J4.

20203814

FIGURE 11. Trimming Z_{OUT} without a Trim-Pot

Appendix B

List of NSC amplifiers with rail-to-rail inputs using bipolar transistors (NPN and PNP):

- LMV931, LMV932 (dual), LMV934 (quad) - down to 1.8-volt supplies.
- LMV7301 (2.2 to 30 V supplies)
- LM6132 (dual), LM6134 (quad) - 10 MHz per 0.36 mA
- LM6142 (dual), LM6144 (quad) - 17 MHz
- LM6152 (dual), LM6154 (quad) - 75 MHz.
- LMV981 (single), LMV982 (dual)
- LMH6645, 6646, 6647.
- LM8261, LM8262 (dual)
- LMP7731 (single).

- LMP7732 (dual)
- and many more.

Note, Rail-to-Rail Input Common-Mode Range is not usually needed for a Howland Current Pump, but may be advantageous for the "Improved Howland".

To find the full range of these amplifiers with Rail-to-Rail common-mode range, go to NSC's home page at <http://www.national.com> and find the Selection Guide at: "Select" "Amplifiers" "Rail-to-Rail Input" and select "Maximum input current" which leads to a selection chart and look for bias currents larger than 10 nA.

Appendix C

List of NSC amplifiers with rail-to-rail inputs using CMOS inputs:

- LMC6492 (dual), LMC6494 (quad) - standard
- LMC6482 (dual), LMC6484 (quad) - precision
- LMC6462 (dual), LMC6464 (quad) - precision low power
- LMC7111 - single, low power
- LMC8101 - 2.7 V
- LMP710 - 5MHz
- LMV7701
- LMV712 (dual) - with shutdown
- LMV841
- LMP7704

and several more...

Note, Rail-to-Rail Input Common-Mode Range is not usually needed for a Howland Current Pump, but may be advantageous for the "Improved Howland".

To find the full range of these amplifiers with Rail-to-Rail common-mode range, go to NSC's home page at <http://www.national.com> and find the Selection Guide at: "Select "Amplifiers" "Rail-to-Rail Input" and select "Maximum input current" which leads to a selection chart, and look for bias currents smaller than 10 nA.

Appendix D

Output Capacitance of the Basic Howland Current Pump (Figure 1).

An operational amplifier can move its output quickly, only if there is a significant V_{in} transient or Error Voltage (V_{ϵ}) applied across the inputs. Typically, this can be millivolts, or dozens of millivolts, according to the need for fast output speed.

The rate of change of V_{out} , dV_{out}/dt , is equal to: $dV_{out}/dt = -(2\pi fh) \times V_{in}$ where (fh) is the Gain Bandwidth Product. Thus, $V_{\epsilon} = dV_{out}/dt \times 1/(2\pi fh)$

The best way to analyze this current pump is to apply a long, slow ramp at V_x . The dV_x/dt is the same as the $dV(\text{sum})/dt$, and $dV_{out}/dt = (R_4 + R_3)/R_3 \times dV_x/dt$.

To move dV_{out}/dt at this rate, there must be an error voltage at the - input ($V(\text{sum})$), even when $V_x = 0$ and moving. When we apply a long ramp from a negative voltage and V_x just passes 0 volts, with a rate of change equal to dV_x/dt , this error voltage V_{ϵ} will be generated:

When the momentary voltage at the applied voltage V_x is: $V_x = 0 + dV_x/dt$, $V(\text{sum}) = dV_x/dt - V_{\epsilon}$,

Then V_{out} has a rate of change, $(dV_x/dt) (R_4 + R_3)/R_3$ and a momentary offset of:

$$-V_{\epsilon} \times (R_4 + R_3)/R_3 = -1/(2\pi fh) \times dV_x/dt \times ((R_4 + R_3)/R_3)^2.$$

The current i_1 through $R_1 = 0$, since $V_x = 0$. The current through R_2 is:

$$i_2 = V_{out}/R_2 = -dV_x/dt \times 1/(2\pi fh) \times 1/R_2 \times ((R_4 + R_3)/R_3)^2.$$

This current acts as a capacitive current, as it is a direct function of dV_x/dt . This virtual capacitance is:

$$C = 1/(2\pi fh) \times 1/R_2 \times ((R_4 + R_3)/R_3)^2.$$

For a 1 MHz op amp, in a typical application when $R_1 = R_2 = R_3 = R_4 = 10k$, this capacitance will be $200 \text{ pf} / \pi$, or about 64 pF, (in addition to the actual capacitance at the + input of the operational amplifier). This capacitance is inversely proportional to the gain bandwidth product fh. It gets smaller as a faster amplifier is employed. This capacitance will also be inversely proportional to R_2 , so for 1 kilohm, it would be 636 pF. For 100 kilohms, it would be just 6.4 pF. This capacitance will

also be modified by the ratio of $(R_4 + R_3)/R_3$, if that is not 2. The apparent capacitance may be different if a large feedback capacitance is connected, across R_4 . A small feedback capacitance of 3 to 10 pF across R_4 is normally a good idea, even if fast signals are not contemplated.

With modern fast op-amps, this capacitance may or may not be a significant factor, but it should be taken into account, depending on the application.

Appendix E. Output Capacitance of the "Improved" Howland Current Pump

The analysis of this circuit is similar to the analysis of the basic Howland Current Pump of Figure 1.

An operational amplifier can move its output quickly, only if there is a significant V_{in} transient or Error Voltage (V_{ϵ}) applied across the inputs. Typically, this can be millivolts, or dozens of millivolts, according to the need for fast output speed.

The rate of change of V_{out} , dV_{out}/dt , is equal to: $dV_{out}/dt = -(2\pi fh) \times V_{\epsilon}$ where (fh) is the Gain Bandwidth Product. Thus $V_{\epsilon} = dV_{out}/dt \times 1/(2\pi fh)$

The best way to analyze this is to apply a long, slow ramp at V_x . To move dV_{out}/dt at a quick rate, there must be an error voltage at the - input ($V(\text{sum})$), even when $V_x = 0$ and moving. When we apply a long ramp, starting from a negative voltage in a positive direction, and when it exactly passes 0 volts, with $V_x = dV_x/dt$, this error voltage V_{ϵ} will be generated:

When the momentary voltage at the applied voltage V_x is: $V_x = 0 + dV_x/dt$,

The rate of change at V_+ is $R_{11}/(R_{11} + R_{12}) \times dV_x/dt$, and the rate of change at V_{sum} is the same dV/dt , plus an offset: $V_{sum} = R_{11}/(R_{11} + R_{12}) \times dV_x/dt + V_{\epsilon}$

The rate of change of V_{out} is the rate of change at $V(\text{sum})$, magnified by $(R_{14} + R_{15})/R_{14}$: $(R_{14} + R_{15})/R_{14} \times dV_+/dt = R_{11}/(R_{11} + R_{12}) \times (R_{14} + R_{15})/(R_{14}) \times dV_x/dt - V_{\epsilon} \times (R_{14} + R_{15})/R_{14}$:

Since $dV_{out}/dt = 2(\pi fh) \times V_{\epsilon}$, then $V_{\epsilon} = dV_x/dt \times 1/(2\pi fh) \times R_{11}/(R_{11} + R_{12}) \times (R_{14} + R_{15})/R_{14}$,

and the momentary value of $V_{out} = (R_{14} + R_{15}) / R_{14} \times V_{\epsilon} = -1/(2\pi fh) \times dV_x/dt \times R_{11}/(R_{11} + R_{12}) \times [(R_{14} + R_{15})/R_{14}]^2$.

When the momentary voltage at the applied voltage V_x is: $V_x = 0 + dV_x/dt$,

the current i_{12} through $R_{12} = 0$. The current through R_{13} is: $i_{13} = V_{out}/R_{13} = -1/(2\pi fh) \times dV_x/dt \times R_{11}/(R_{11} + R_{12}) \times [(R_{14} + R_{15})/(R_{14})]^2 \times (1/R_{13})$.

This current acts as a capacitive current, as it is related only to dV_x/dt . This current is equivalent to $C_x \times dV_x/dt$. This virtual capacitance is: $C_x = 1/(2\pi fh) \times (1/R_{13}) \times R_{11}/(R_{11} + R_{12}) \times [(R_{14} + R_{15})/R_{14}]^2$.

For a 1 MHz op amp, in a typical application when $R_{11} = 11k$, and $R_{12} = R_{14} = R_{15} = 10k$, and R_{13} is relatively small compared to R_{12} , such as $R_{13} = R_{12}/10 = 1k$, this capacitance will be about 334 pF.

If $R_{11} = 110k$ and $R_{12} = R_{14} = R_{15} = 100k$, and $R_{13} = R_{12}/10 = 10k$, the C_x will be 34 pF. The capacitance depends inversely on the value of R_{13} , and is also inversely proportional to the op amp's gain bandwidth product fh. It gets smaller as the amplifier is faster. This capacitance will also be inversely proportional to R_{13} , so for 1 kilohm, it would be 334 pF. For 100 kilohms, it would be just 3.4 pF. This capacitance will also be modified by the ratio of $(R_{15} + R_{14})/R_{14}$, if that ratio is not 2. The capacitance does not depend on R_{11} , R_{12} , R_{14} , or

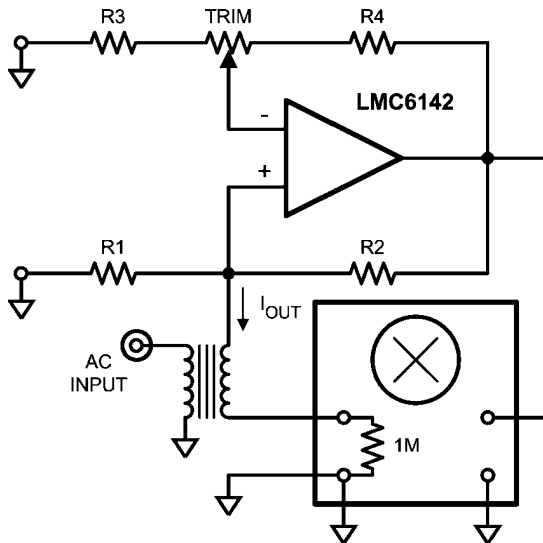
R15, but only on their ratios. The apparent capacitance may be different if a large feedback capacitance is connected, across R15. A small feedback capacitance of 3 to 10 pF is normally a good idea, even if fast signals are not contemplated.

With modern fast op-amps, this capacitance may or may not be a significant factor, but it should be taken into account, depending on the application.

Appendix F. Testing and Trimming of Z_{OUT}

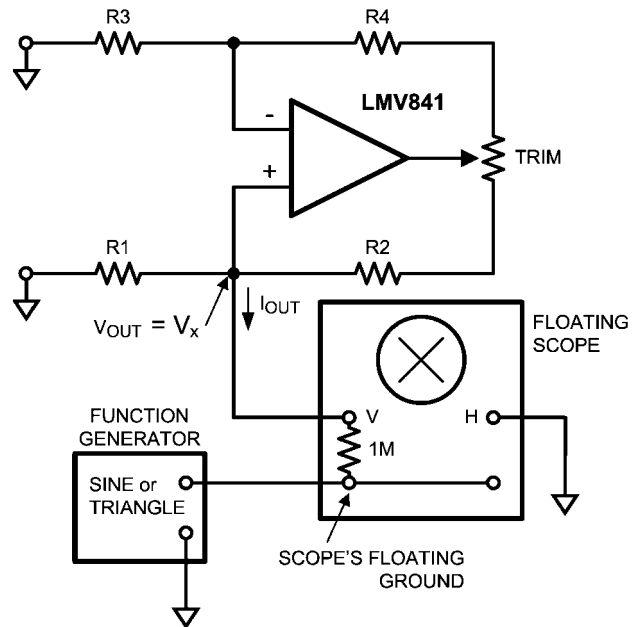
Techniques for the testing of output impedance of a current pump are not well known, nor published, so they will be presented here for the first time. In concept, you could make dc measurements of output current at different levels of V_{out} , but that is not effective. Visual testing on an oscilloscope is better.

In concept, you can apply a sine wave through a transformer to the V_{out} node of a current pump. Read the current that flows out of the bottom of the transformer, at the input of an oscilloscope, which is very close to ground. See *Figure 12*. This does seem to work, but to be sure it is working well, you have to be sure that the transformer does not have any leakage or capacitive strays that can corrupt the reading. That is hard to prove, so it is not a recommended technique. A floating (battery-powered) sine or triangle-wave generator could be used, but that is not necessary.



20203815

FIGURE 12. Transformer-Coupled Test for Z_{OUT}



20203816

FIGURE 13. Good Test for Z_{OUT} Using Floating Scope

Refer to *Figure 13*. An ordinary sine or triangle wave function generator can be used to drive the V_{out} node. A floating scope is inserted between the function generator and the V_{out} . Any current flowing into or out of V_{out} , can be seen on the scope's vertical display. When this is cross-plotted against the main V_{out} , by connecting ground to the horizontal (X) input, it is easy to see the slope of I_{out} versus V_{out} . Then it is easy to adjust the trim pot as in *Figure 2*, *Figure 3*, or *Figure 4*, to trim for very high Z_{out} . It is easy to get the curve just about flat, for the range of interest to you. Of course, if you want a very wide voltage range, you may find some curvature or nonlinearity. Most op-amps are not perfect for linearity of Common Mode Range, but some are better than others.

A scope with its 1 megohm of Z_{in} can be used to easily resolve an output impedance better than 100 or 1000 megohms. If you have very low resistor values such as 1k or 100 ohms in your current pump, you can put a comparable low-value resistor across the scope's input. If you needed even higher resolution, a floating preamp could be added.

R. A. Pease. October 2007

Notes

AN-1515

Notes

For more National Semiconductor product information and proven design tools, visit the following Web sites at:

Products		Design Support	
Amplifiers	www.national.com/amplifiers	WEBENCH	www.national.com/webench
Audio	www.national.com/audio	Analog University	www.national.com/AU
Clock Conditioners	www.national.com/timing	App Notes	www.national.com/appnotes
Data Converters	www.national.com/adc	Distributors	www.national.com/contacts
Displays	www.national.com/displays	Green Compliance	www.national.com/quality/green
Ethernet	www.national.com/ethernet	Packaging	www.national.com/packaging
Interface	www.national.com/interface	Quality and Reliability	www.national.com/quality
LVDS	www.national.com/lvds	Reference Designs	www.national.com/refdesigns
Power Management	www.national.com/power	Feedback	www.national.com/feedback
Switching Regulators	www.national.com/switchers		
LDOs	www.national.com/ldo		
LED Lighting	www.national.com/led		
PowerWise	www.national.com/powerwise		
Serial Digital Interface (SDI)	www.national.com/sdi		
Temperature Sensors	www.national.com/tempsensors		
Wireless (PLL/VCO)	www.national.com/wireless		

THE CONTENTS OF THIS DOCUMENT ARE PROVIDED IN CONNECTION WITH NATIONAL SEMICONDUCTOR CORPORATION ("NATIONAL") PRODUCTS. NATIONAL MAKES NO REPRESENTATIONS OR WARRANTIES WITH RESPECT TO THE ACCURACY OR COMPLETENESS OF THE CONTENTS OF THIS PUBLICATION AND RESERVES THE RIGHT TO MAKE CHANGES TO SPECIFICATIONS AND PRODUCT DESCRIPTIONS AT ANY TIME WITHOUT NOTICE. NO LICENSE, WHETHER EXPRESS, IMPLIED, ARISING BY ESTOPPEL OR OTHERWISE, TO ANY INTELLECTUAL PROPERTY RIGHTS IS GRANTED BY THIS DOCUMENT.

TESTING AND OTHER QUALITY CONTROLS ARE USED TO THE EXTENT NATIONAL DEEMS NECESSARY TO SUPPORT NATIONAL'S PRODUCT WARRANTY. EXCEPT WHERE MANDATED BY GOVERNMENT REQUIREMENTS, TESTING OF ALL PARAMETERS OF EACH PRODUCT IS NOT NECESSARILY PERFORMED. NATIONAL ASSUMES NO LIABILITY FOR APPLICATIONS ASSISTANCE OR BUYER PRODUCT DESIGN. BUYERS ARE RESPONSIBLE FOR THEIR PRODUCTS AND APPLICATIONS USING NATIONAL COMPONENTS. PRIOR TO USING OR DISTRIBUTING ANY PRODUCTS THAT INCLUDE NATIONAL COMPONENTS, BUYERS SHOULD PROVIDE ADEQUATE DESIGN, TESTING AND OPERATING SAFEGUARDS.

EXCEPT AS PROVIDED IN NATIONAL'S TERMS AND CONDITIONS OF SALE FOR SUCH PRODUCTS, NATIONAL ASSUMES NO LIABILITY WHATSOEVER, AND NATIONAL DISCLAIMS ANY EXPRESS OR IMPLIED WARRANTY RELATING TO THE SALE AND/OR USE OF NATIONAL PRODUCTS INCLUDING LIABILITY OR WARRANTIES RELATING TO FITNESS FOR A PARTICULAR PURPOSE, MERCHANTABILITY, OR INFRINGEMENT OF ANY PATENT, COPYRIGHT OR OTHER INTELLECTUAL PROPERTY RIGHT.

LIFE SUPPORT POLICY

NATIONAL'S PRODUCTS ARE NOT AUTHORIZED FOR USE AS CRITICAL COMPONENTS IN LIFE SUPPORT DEVICES OR SYSTEMS WITHOUT THE EXPRESS PRIOR WRITTEN APPROVAL OF THE CHIEF EXECUTIVE OFFICER AND GENERAL COUNSEL OF NATIONAL SEMICONDUCTOR CORPORATION. As used herein:

Life support devices or systems are devices which (a) are intended for surgical implant into the body, or (b) support or sustain life and whose failure to perform when properly used in accordance with instructions for use provided in the labeling can be reasonably expected to result in a significant injury to the user. A critical component is any component in a life support device or system whose failure to perform can be reasonably expected to cause the failure of the life support device or system or to affect its safety or effectiveness.

National Semiconductor and the National Semiconductor logo are registered trademarks of National Semiconductor Corporation. All other brand or product names may be trademarks or registered trademarks of their respective holders.

Copyright© 2008 National Semiconductor Corporation
For the most current product information visit us at www.national.com



**National Semiconductor
Americas Technical
Support Center**
Email:
new.feedback@nsc.com
Tel: 1-800-272-9959

**National Semiconductor Europe
Technical Support Center**
Email: europe.support@nsc.com
German Tel: +49 (0) 180 5010 771
English Tel: +44 (0) 870 850 4288

**National Semiconductor Asia
Pacific Technical Support Center**
Email: ap.support@nsc.com

**National Semiconductor Japan
Technical Support Center**
Email: jpn.feedback@nsc.com