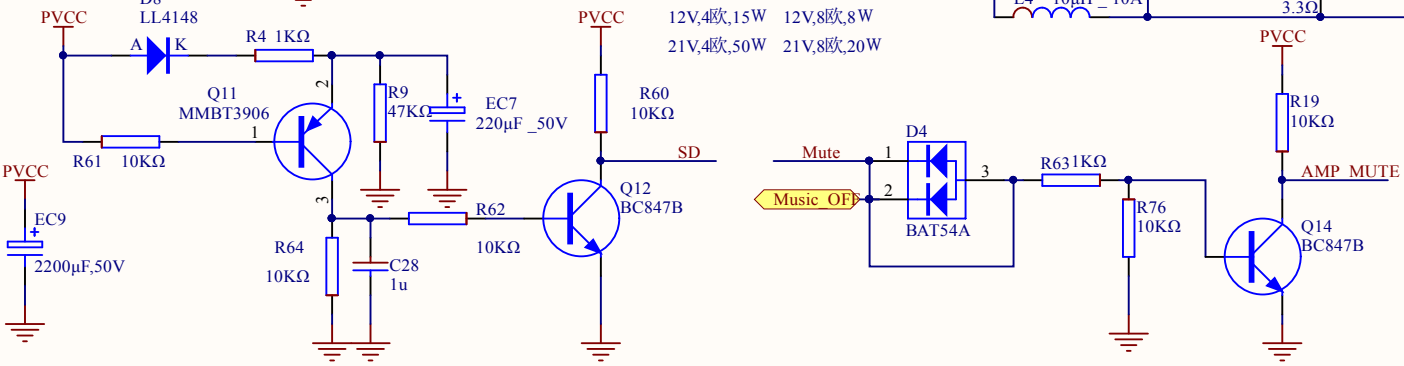
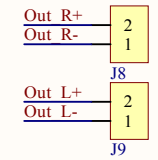
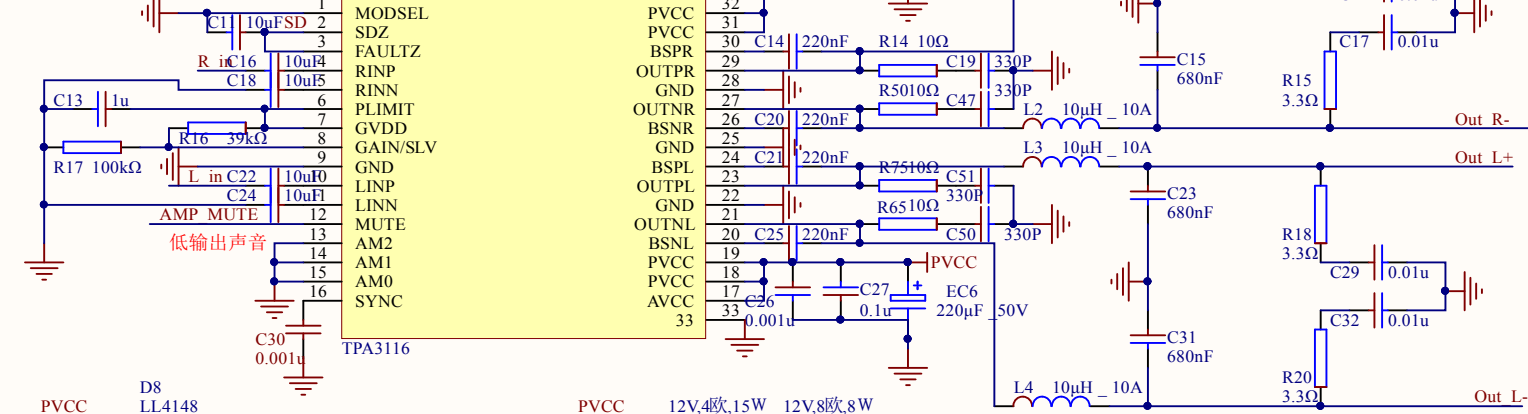


SD为高时输出声音，为低时关闭功放



Drawn by		Project Name	Date
Designed by		Version	
Checked by		File Name	Page Of
Standardization		邓派银泉	
Approved by			