

Schematics and PCBs

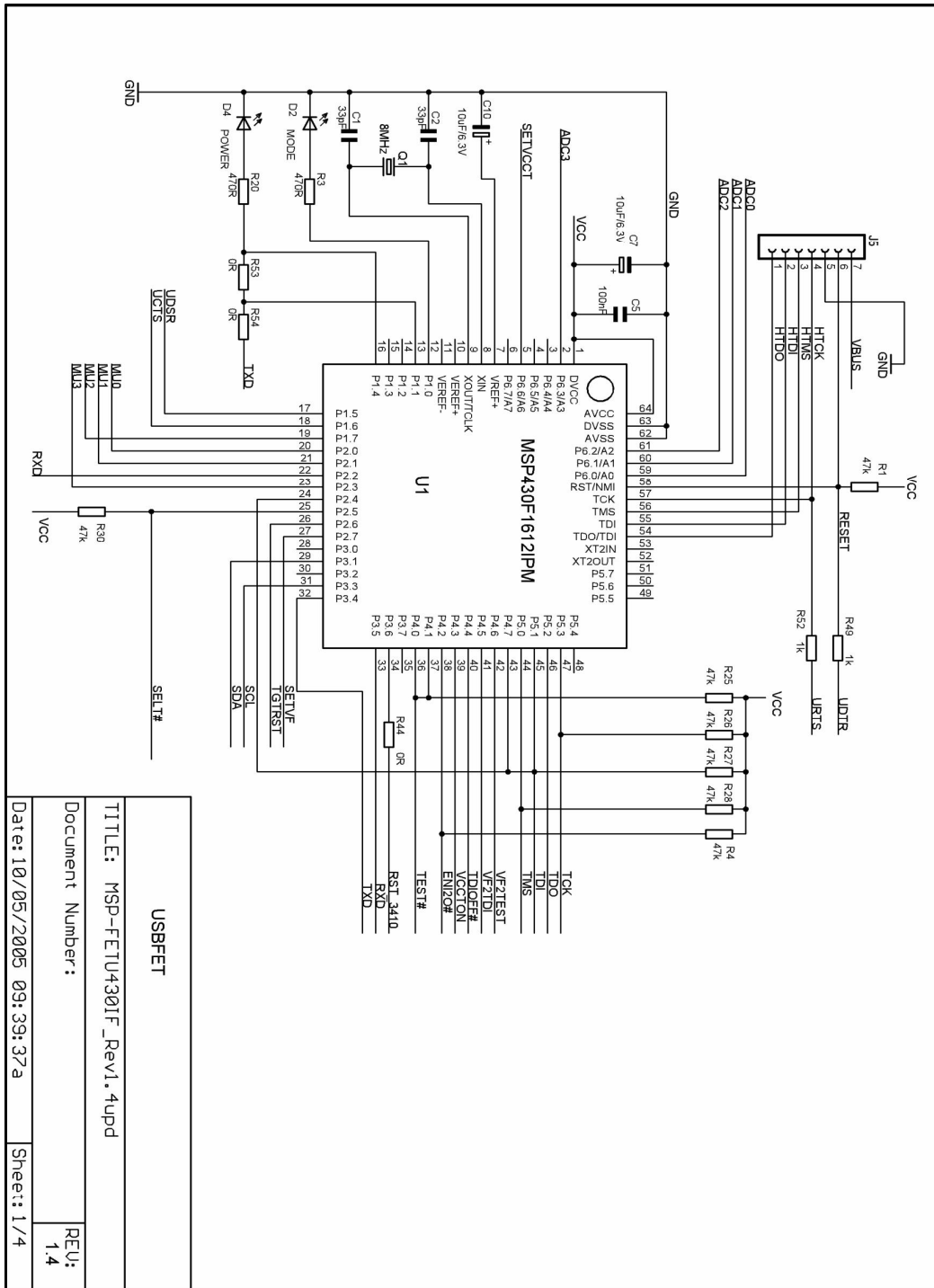


Figure B-21. MSP-FET430UIF USB Interface, Schematic (1 of 4)

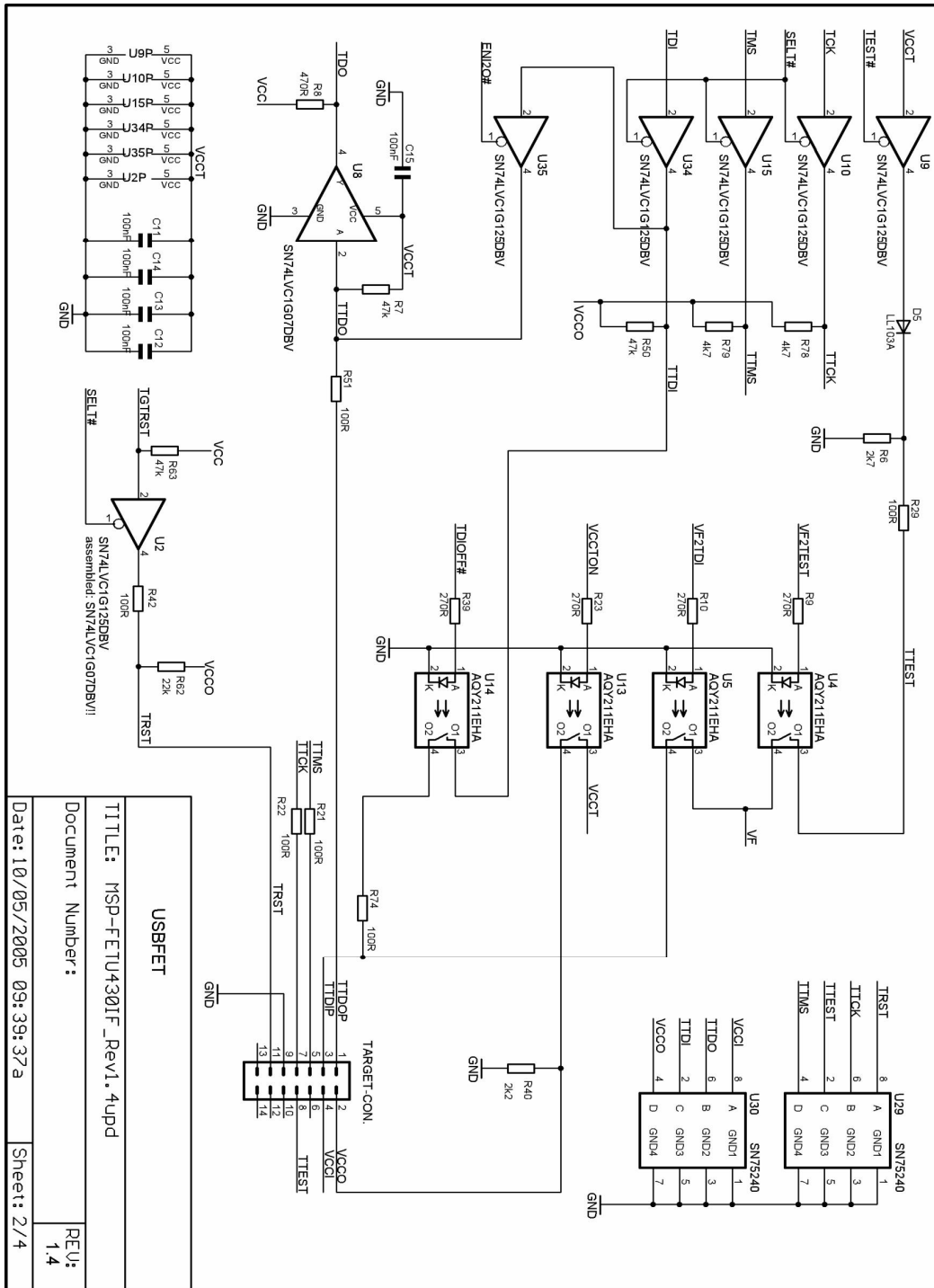


Figure B-22. MSP-FET430UIF USB Interface, Schematic (2 of 4)

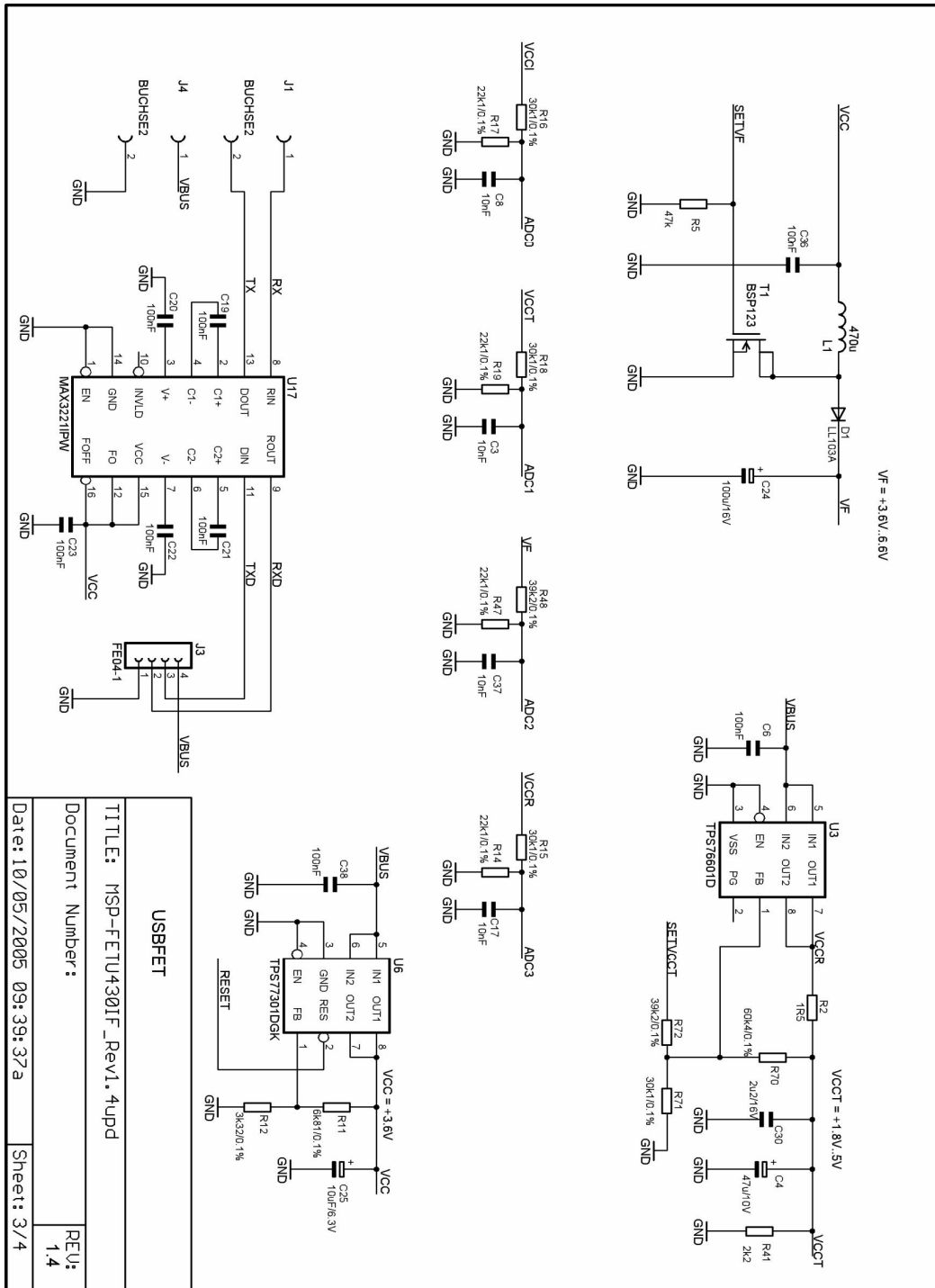


Figure B-23. MSP-FET430IIF USB Interface, Schematic (3 of 4)

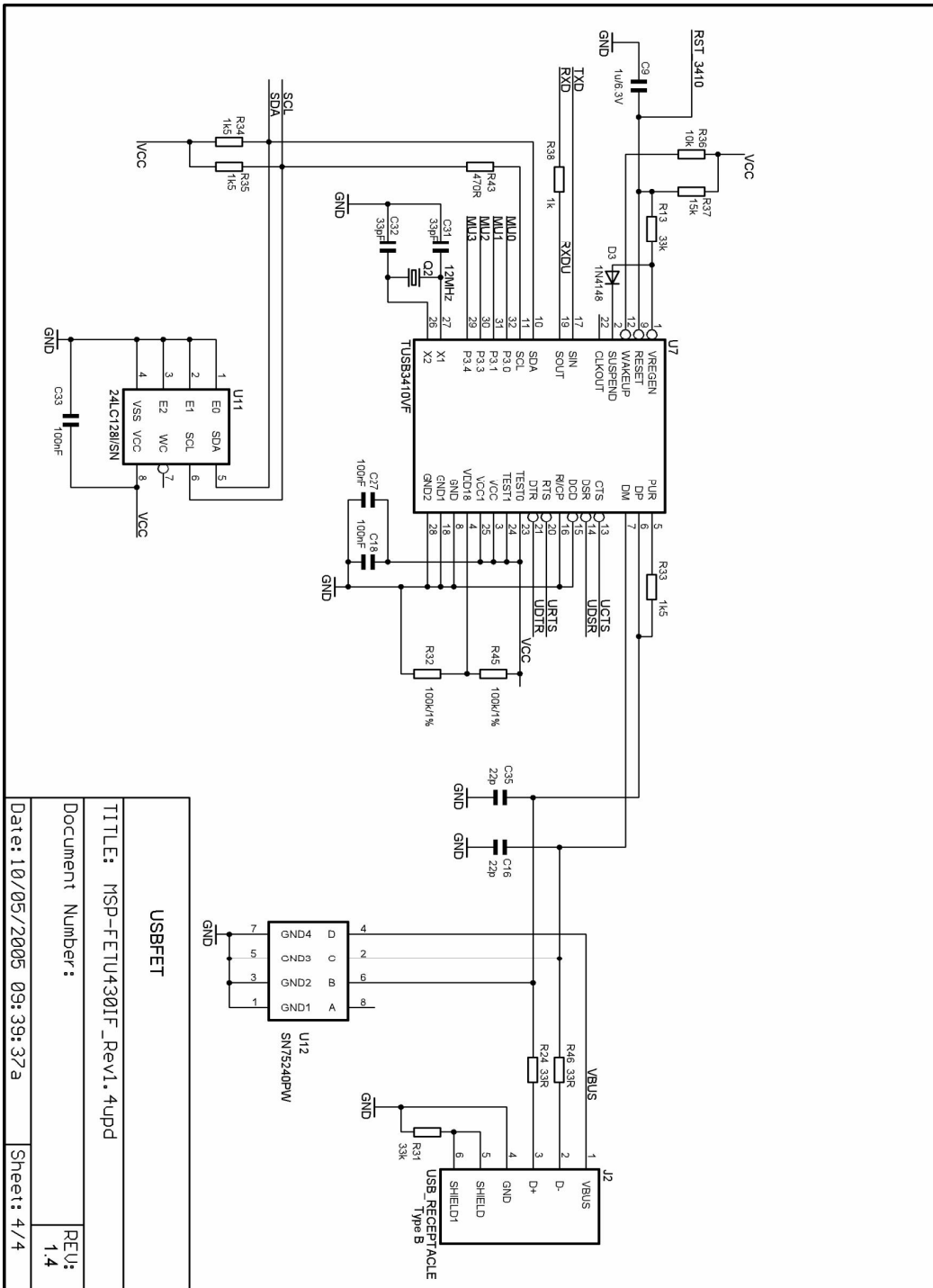


Figure B-24. MSP-FET430UIF USB Interface, Schematic (4 of 4)

USBFET	
TITLE: MSP-FETU430UIF_Rev1.4uppd	
Document Number:	
Date: 10/05/2005 09:39:37a	Sheet: 4/4
REV:	1.4

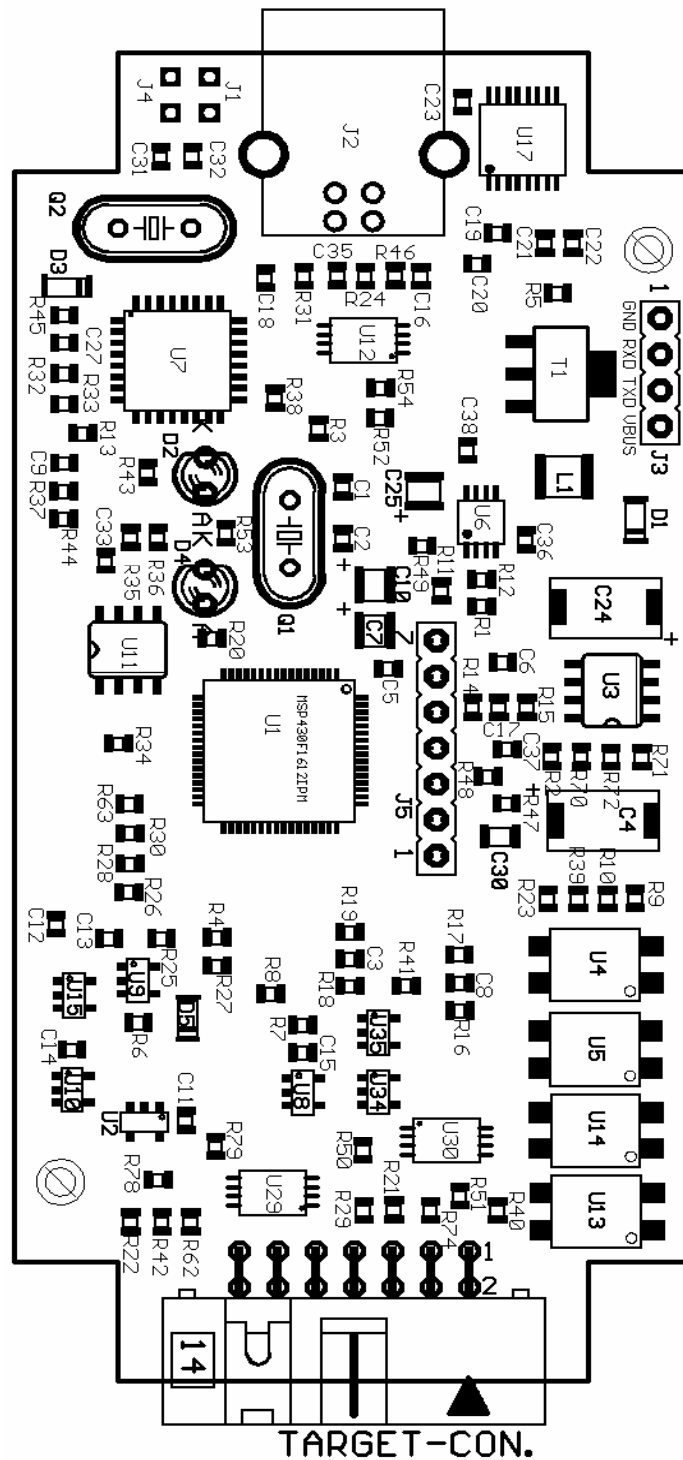


Figure B-25. MSP-FET430UIF USB Interface, PCB