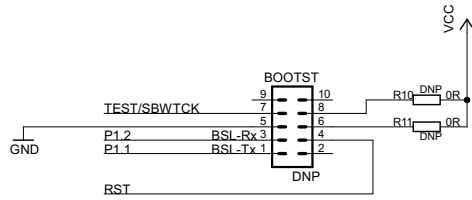
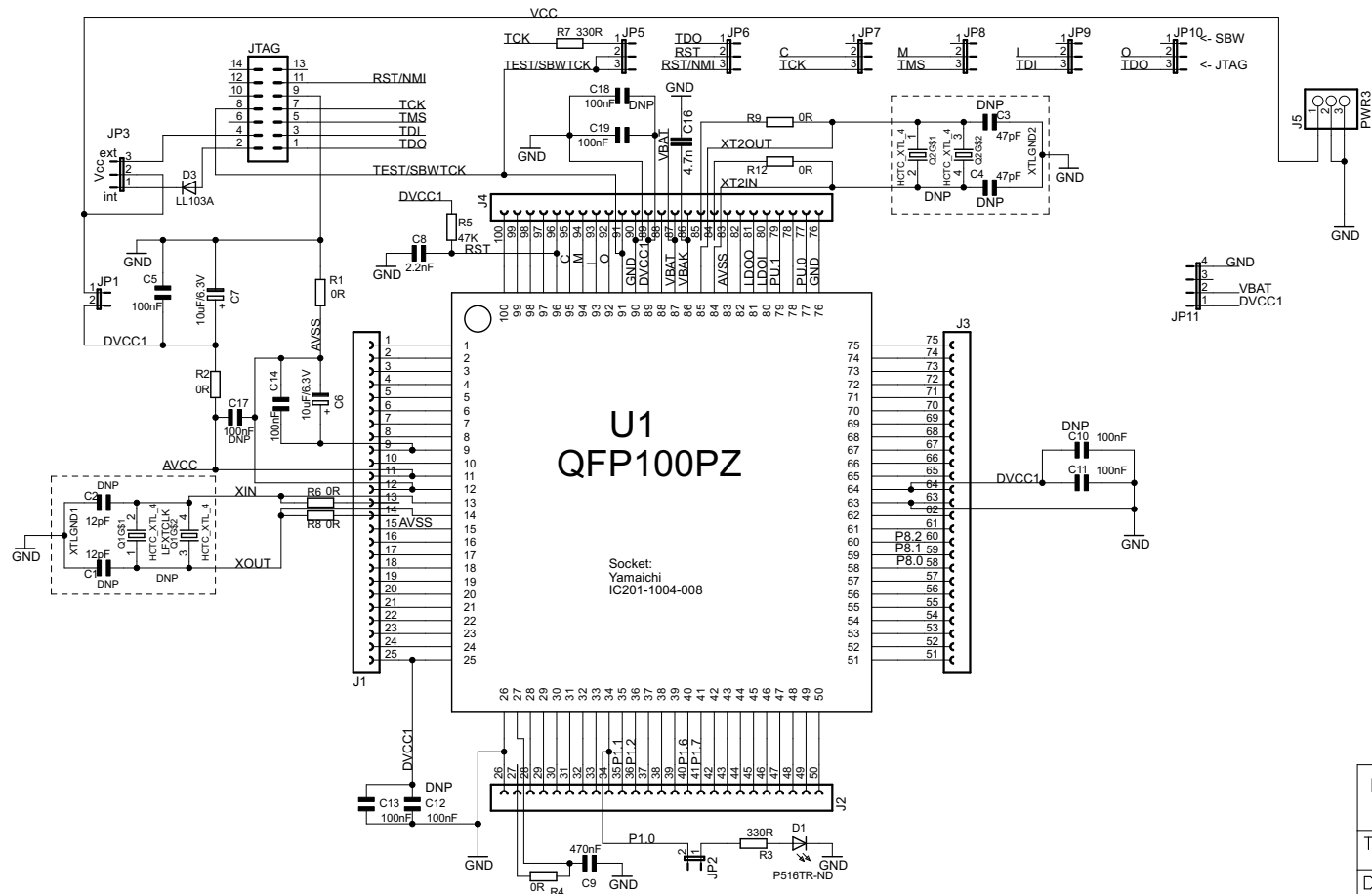
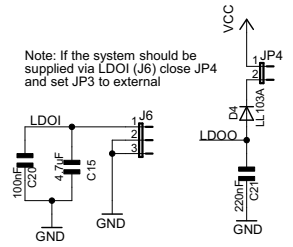


BSL Interface



LDO/LDOO Interface

Note: If the system should be supplied via LDO1 (J6) close JP4 and set JP3 to external



MSP430: Target-Socket MSP-TS430PZ100C	
TITLE: MSP-TS430PZ100C	
Document Number:	REV: 1.1
Date: 7/21/2011 4:30:30 PM	Sheet: 1/1