

有关 MSP430 单片机 JTAG 连接见下图，或见附件文件第 3-3 页，请参考。

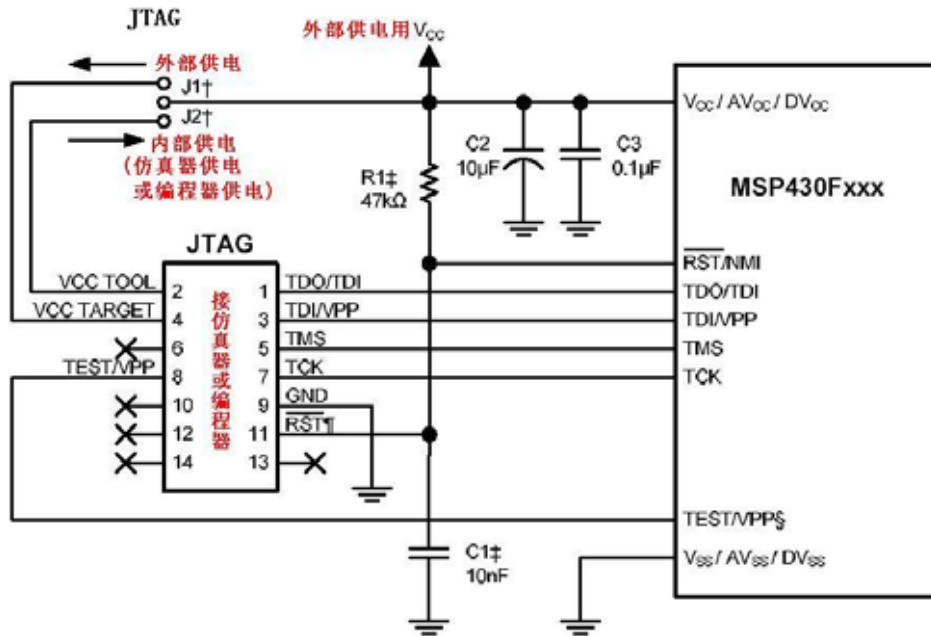
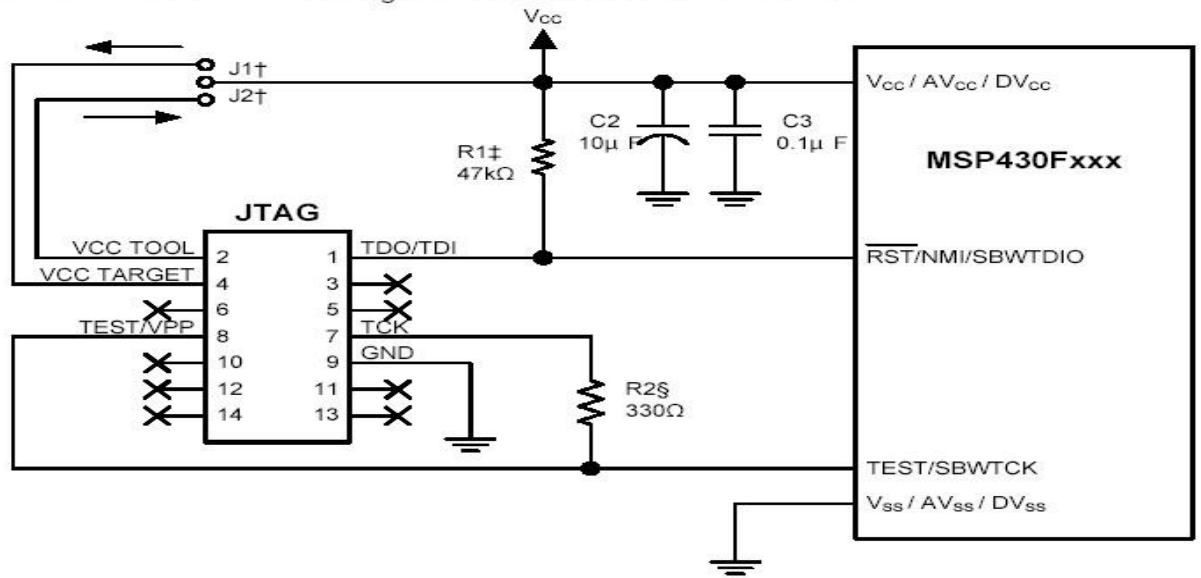


Figure 3-1. Signal Connections for 4-Wire JTAG Communication

- † Make either connection J1 to power target from the debug/programming adapter OR connection J2 in case a local target power supply is used.
- ‡ The RST/NMI pin R1/C1 configuration is device family dependent. Refer to the respective MSP430 Family User's Guide for the recommended configuration.
- § The TEST/VPP pin is only available on MSP430 family members with multiplexed JTAG pins. Refer to the device data sheet to see if this pin is available.
- ¶ The connection to the JTAG connector RST pin is optional and not required for device programming or debugging.

有关 Spy-Bi-Wire 连接见下图或附件勘误表第 2 页。原 TI 资料存在印刷错误，请参考比较。



有关 BSL 连接见下图，或见附件文件第 8 页，请参考。

3.3 Target Connector

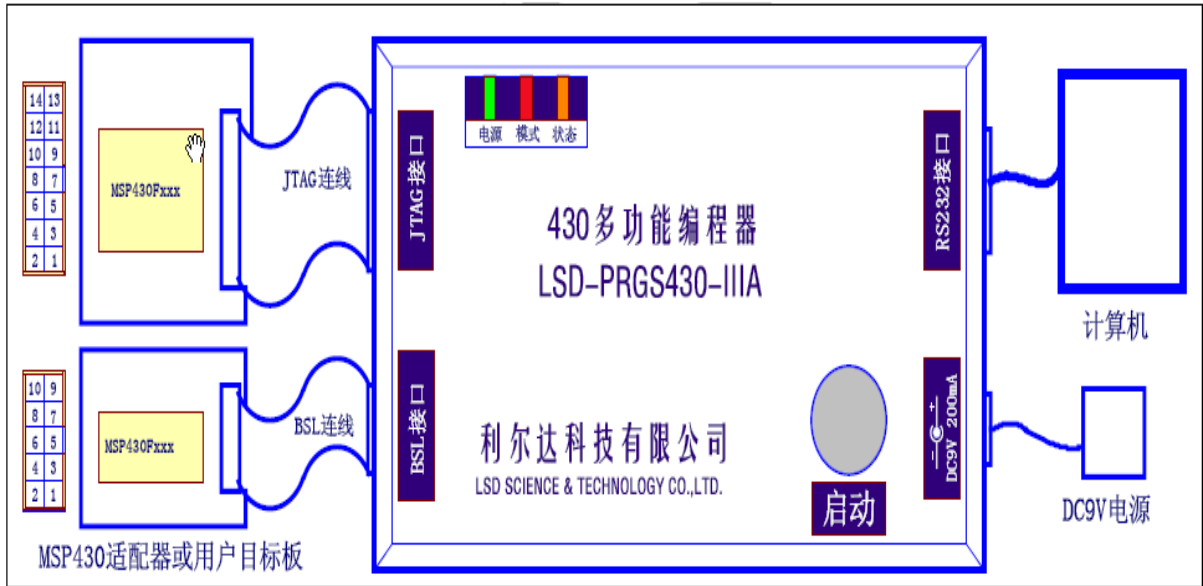
BSL

Table 5. Pin Assignment of Target Connector

PIN	SIGNAL NAME	PIN ON MSP430F11x(1)	PIN ON MSP430F14x OR MSP430F13x	PIN ON MSP430F4xx
1	TXD	P1.1	P1.1	P1.0
2	TCK	Do not connect (see Note 1)	TCK	TCK
3	RXD	P2.2	P2.2	P1.1
4	RST	RST/NMI	RST/NMI	RST/NMI
5	GND	GND	GND	GND
6	VCC (3.0 V)	VCC (see Note 2)	VCC (see Note 2)	VCC (see Note 2)
7	TST	Test	Do not connect	Do not connect
8	VCC_IN	VCC (see Note 2)	VCC (see Note 2)	VCC (see Note 2)
9	Not connected	—	—	—
10	Not connected	—	—	—

NOTES: 1. Signal TCK must not be connected on MSP430F11x(1) devices.
2. Pin VCC (3.0 V) is a voltage source that can provide a limited current, depending on the serial port driver's capability. If an external power supply is used, VCC (3.0 V) must not be connected to the target. In this case, the external supply voltage must be connected to pin VCC_IN. Otherwise, pin VCC_IN must be unconnected.

引脚	1	2	3	4	5	6	7	8	9	10
定义	TXD	TCK	RXD	RST	GND	VCC	TEST	VCC_IN	NC	NC



Best Regards

Brando zhou 周志高

利尔达（香港）科技发展有限公司【深圳代表处】

LSD MCU(Hong Kong)Science &Technology Development Limited (Shenzhen Office)

深圳市深南中路 2070 号电子科技大厦 A 座 19 层 1907 室

Rm1907,19F Blk.A,Electronics Science &Technology Building,NO.2070,Shennan Middle Road,Shenzhen

Tel: +86 755 83780672 13798521042

Email: zzg@lierda.com Http://www.lierda.com