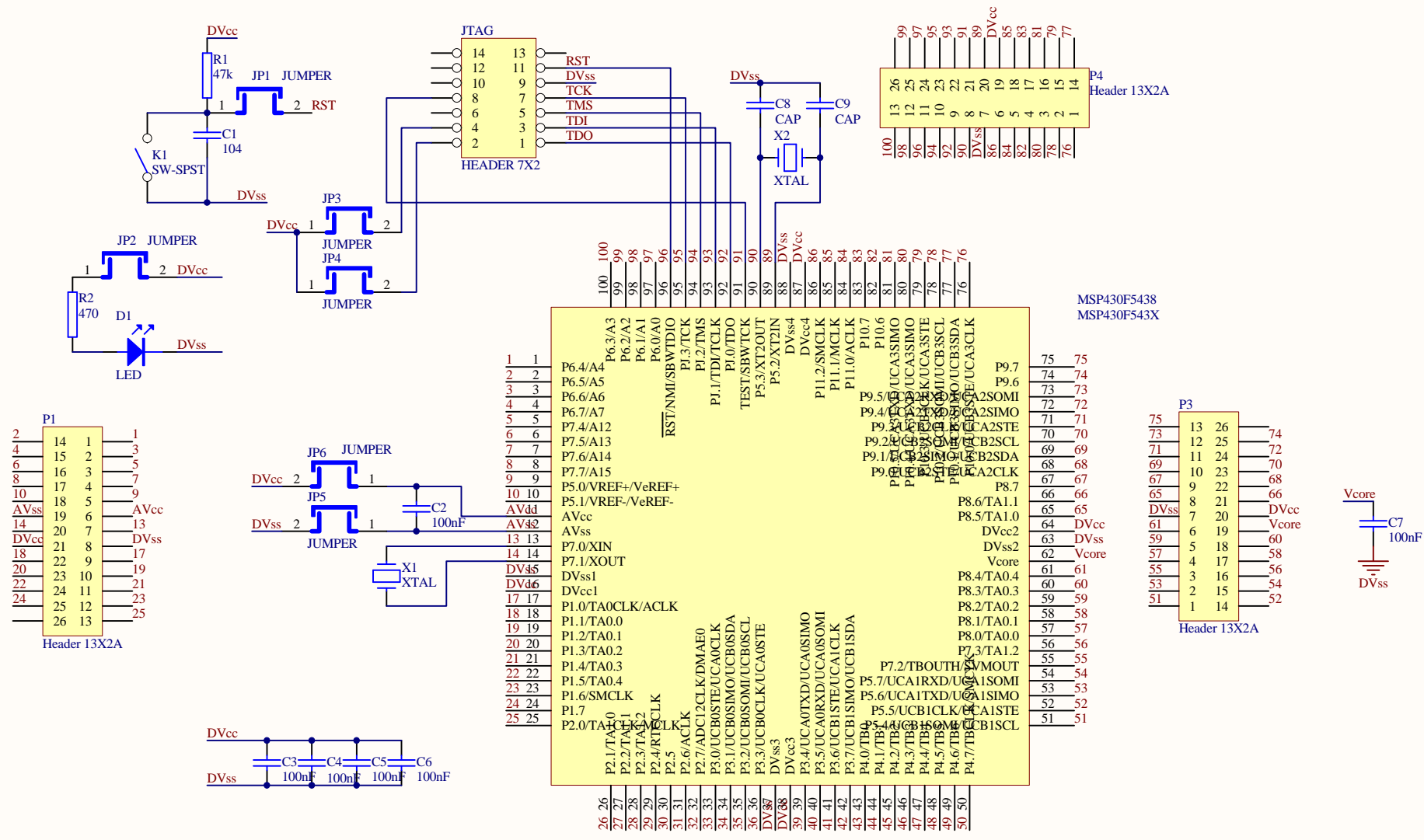
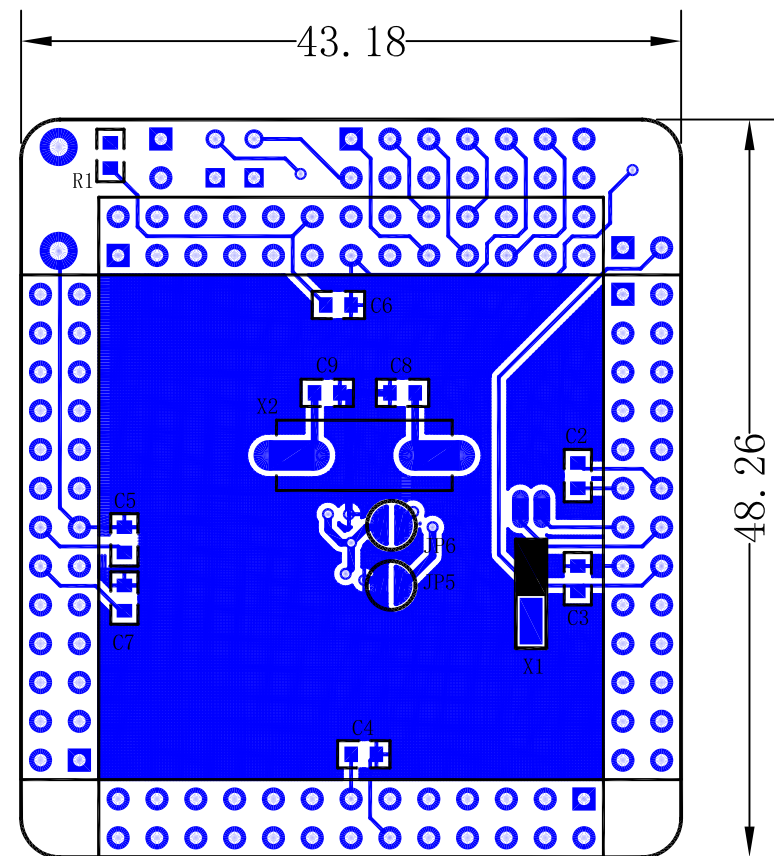
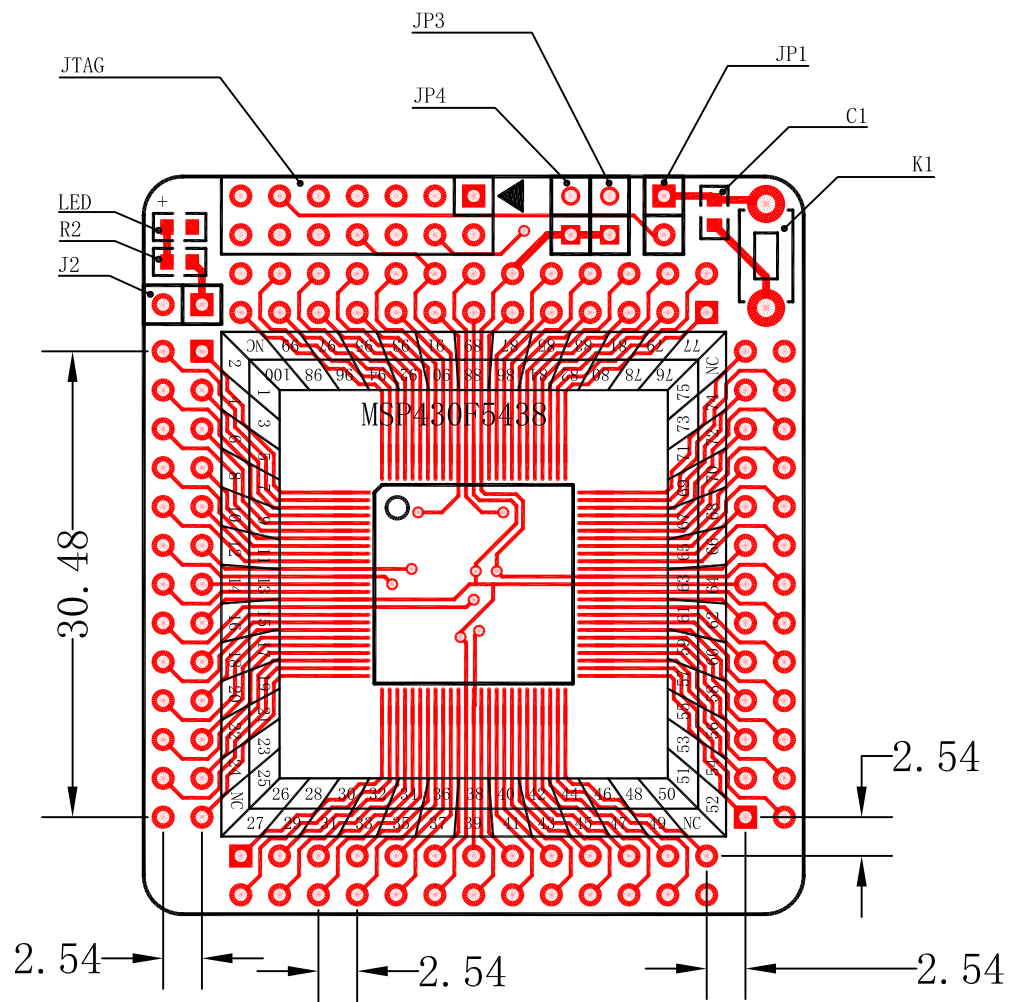


# MSP430F5438核心板原理图



Title		
Size	Number	Revision
A4		
Date:	2009/12/16	Sheet of
File:	E:\闪电电子工作室\...\CoreSCH.SchDoc	Drawn By:



MSP430F5438核心板尺寸图