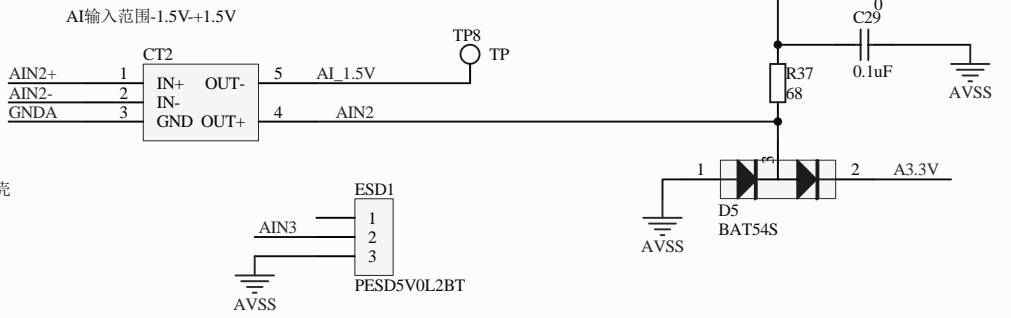
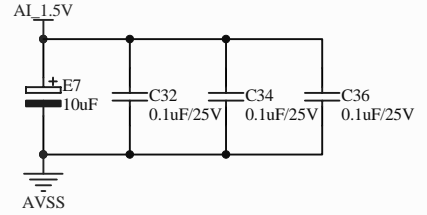
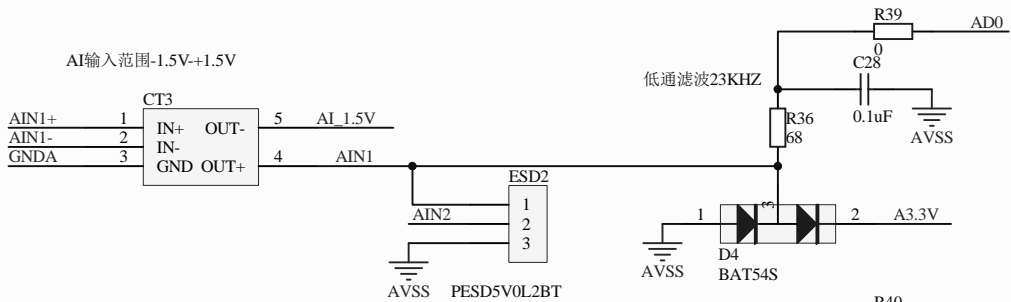
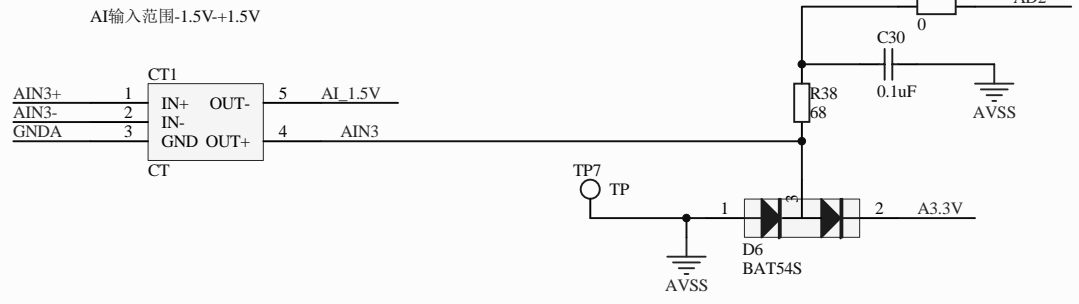
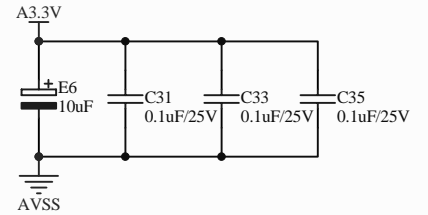


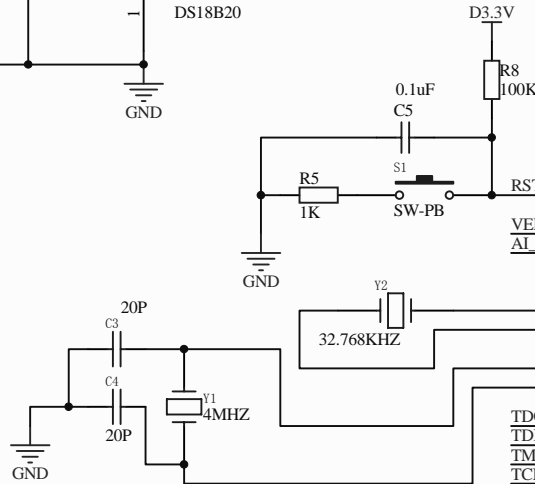
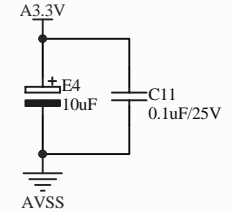
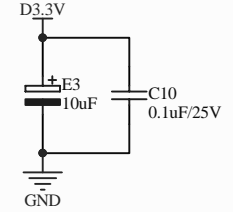
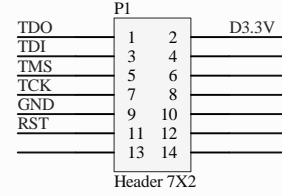
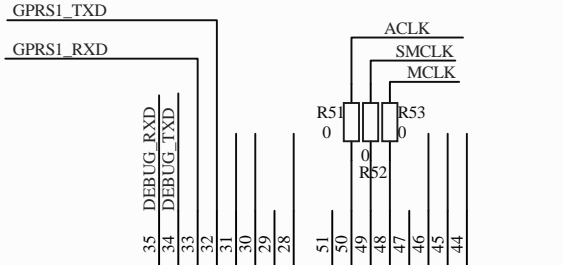
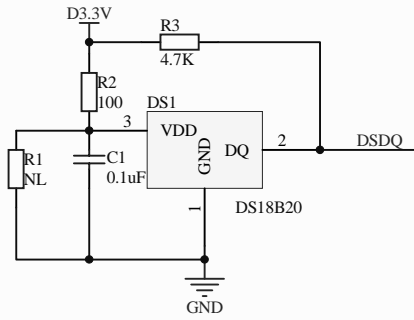
Title		
Size	Number	Revision
A3		
Date:	2011/5/15	Sheet of
File:	F:\newproj_110515\GPRS_MODULE.SCH	By:



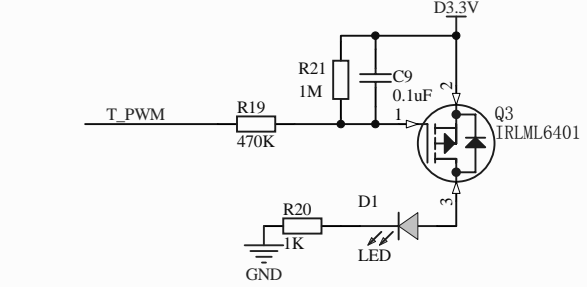
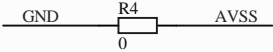
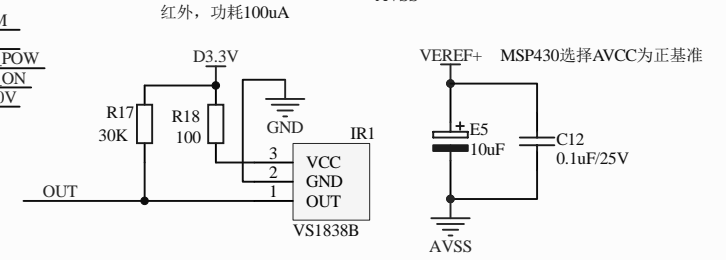
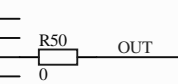
GNDA接机壳



Title		
Size A4	Number	Revision
Date: 2011/5/15	Sheet of	
File: F:\newproj_110515\...\Ai.SchDoc	Drawn By:	

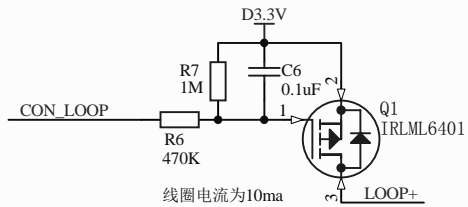
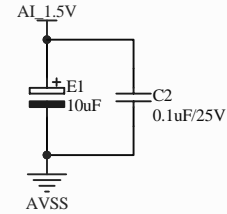


U1 MSP430F149IPM

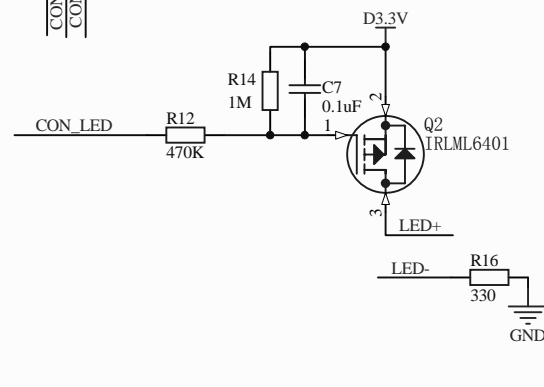


用于调试软件时做指示灯

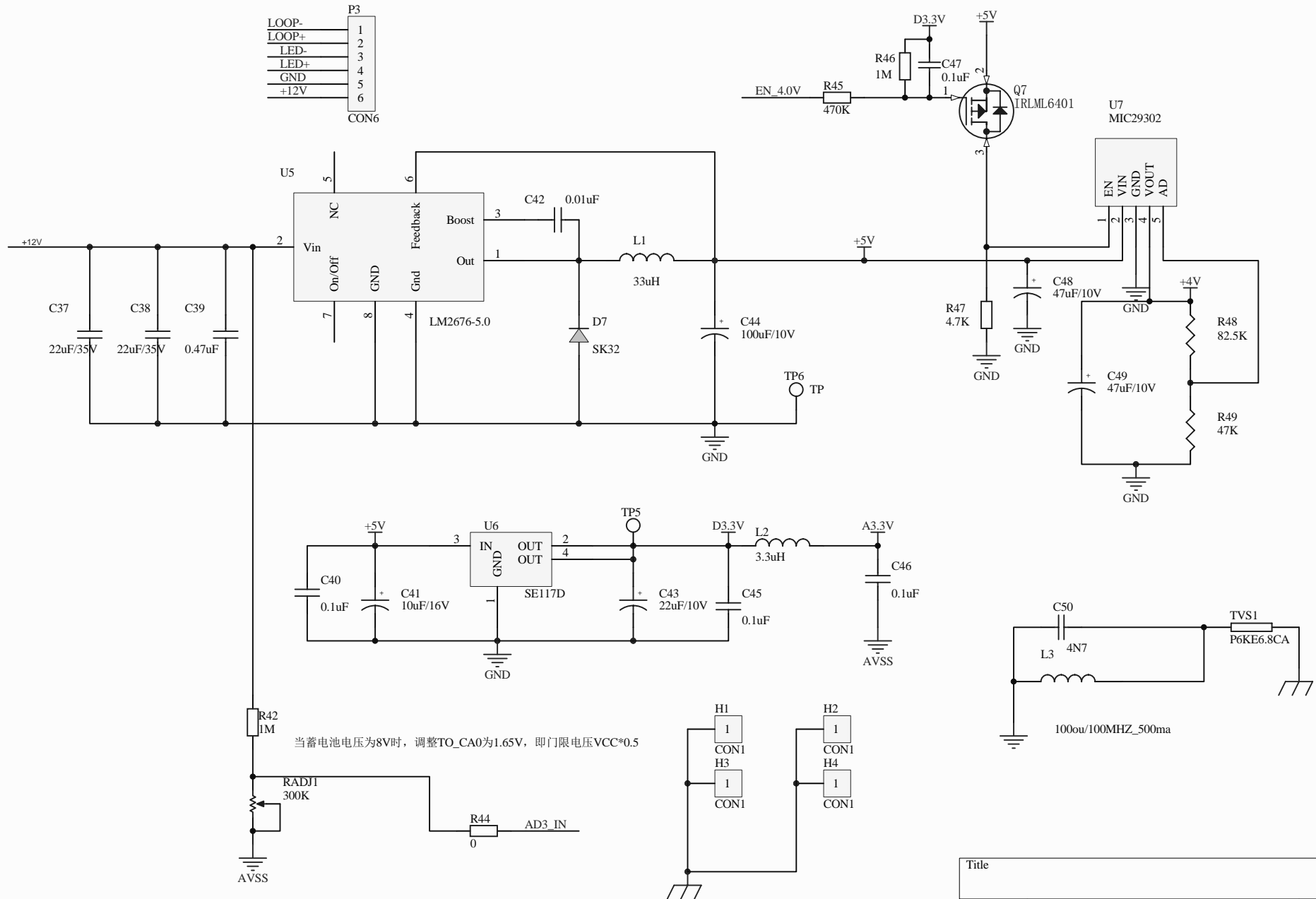
MSP430提供1.5V基准电压



线圈电流为10ma



Title		
Size	Number	Revision
A4		
Date:	2011/5/15	Sheet of
File:	F:\newproj_110515\...\CPU.SchDoc	Drawn By:



Title		
Size	Number	Revision
A4		
Date:	2011/5/15	Sheet of
File:	F:\newproj_110515\.\POWER.SchDoc	Drawn By:

1

2

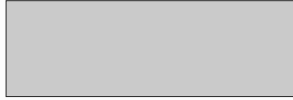
3

4

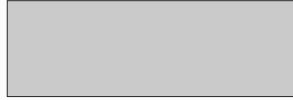
A

A

U_CPU
CPU.SchDoc



U_GPRS_MODULE
GPRS_MODULE.SCHDOC



B

B

U_Ai
Ai.SchDoc



U_POWER
POWER.SchDoc



C

C

D

D

Title		
Size A4	Number	Revision
Date:	2011/5/15	Sheet of
File:	F:\newproj_110515\.\Sheet1.SchDoc	Drawn By:

1

2

3

4