

MSP430 Optimizing C/C++ Compiler v 3.1

User's Guide



Literature Number: SLAU132C

November 2008

Preface	9
1 Introduction to the Software Development Tools	13
1.1 Software Development Tools Overview	14
1.2 C/C++ Compiler Overview	16
1.2.1 ANSI/ISO Standard	16
1.2.2 Output Files	16
1.2.3 Utilities	16
2 Using the C/C++ Compiler	17
2.1 About the Compiler	18
2.2 Invoking the C/C++ Compiler	18
2.3 Changing the Compiler's Behavior With Options	19
2.3.1 Frequently Used Options	25
2.3.2 Machine-Specific Options	27
2.3.3 Symbolic Debugging Options	29
2.3.4 Specifying Filenames	29
2.3.5 Changing How the Compiler Interprets Filenames	30
2.3.6 Changing How the Compiler Processes C Files	30
2.3.7 Changing How the Compiler Interprets and Names Extensions	30
2.3.8 Specifying Directories	31
2.3.9 Assembler Options	31
2.3.10 Deprecated Options	32
2.4 Controlling the Compiler Through Environment Variables	32
2.4.1 Setting Default Compiler Options (MSP430_C_OPTION)	32
2.4.2 Naming an Alternate Directory (MSP430_C_DIR)	33
2.5 Precompiled Header Support	34
2.5.1 Automatic Precompiled Header	34
2.5.2 Manual Precompiled Header	34
2.5.3 Additional Precompiled Header Options	34
2.6 Controlling the Preprocessor	35
2.6.1 Predefined Macro Names	35
2.6.2 The Search Path for #include Files	36
2.6.3 Generating a Preprocessed Listing File (--preproc_only Option)	37
2.6.4 Continuing Compilation After Preprocessing (--preproc_with_compile Option)	37
2.6.5 Generating a Preprocessed Listing File With Comments (--preproc_with_comments Option)	37
2.6.6 Generating a Preprocessed Listing File With Line-Control Information (--preproc_with_line Option) ..	37
2.6.7 Generating Preprocessed Output for a Make Utility (--preproc_dependency Option)	38
2.6.8 Generating a List of Files Included With the #include Directive (--preproc_includes Option)	38
2.6.9 Generating a List of Macros in a File (--preproc_macros Option)	38
2.7 Understanding Diagnostic Messages	38
2.7.1 Controlling Diagnostics	39
2.7.2 How You Can Use Diagnostic Suppression Options	40

2.8	Other Messages	41
2.9	Generating Cross-Reference Listing Information (--gen_acp_xref Option)	41
2.10	Generating a Raw Listing File (--gen_acp_raw Option)	42
2.11	Using Inline Function Expansion	43
2.11.1	Inlining Intrinsic Operators	43
2.11.2	Using the inline Keyword, the --no_inlining Option, and Level 3 Optimization	43
2.12	Using Interlist	44
2.13	Enabling Entry Hook and Exit Hook Functions	46
3	Optimizing Your Code	47
3.1	Invoking Optimization	48
3.2	Performing File-Level Optimization (--opt_level=3 option)	49
3.2.1	Controlling File-Level Optimization (--std_lib_func_def Options)	49
3.2.2	Creating an Optimization Information File (--gen_opt_info Option)	49
3.3	Performing Program-Level Optimization (--program_level_compile and --opt_level=3 options)	50
3.3.1	Controlling Program-Level Optimization (--call_assumptions Option)	50
3.3.2	Optimization Considerations When Mixing C/C++ and Assembly	51
3.4	Accessing Aliased Variables in Optimized Code	52
3.5	Use Caution With asm Statements in Optimized Code	52
3.6	Automatic Inline Expansion (--auto_inline Option)	53
3.7	Using the Interlist Feature With Optimization	53
3.8	Debugging Optimized Code	55
3.9	What Kind of Optimization Is Being Performed?	55
3.9.1	Cost-Based Register Allocation	56
3.9.2	Alias Disambiguation	56
3.9.3	Branch Optimizations and Control-Flow Simplification	56
3.9.4	Data Flow Optimizations	56
3.9.5	Expression Simplification	56
3.9.6	Inline Expansion of Functions	57
3.9.7	Induction Variables and Strength Reduction	57
3.9.8	Loop-Invariant Code Motion	57
3.9.9	Loop Rotation	57
3.9.10	Instruction Scheduling	57
3.9.11	Integer Division With Constant Divisor	57
3.9.12	Tail Merging	57
3.9.13	_never_executed Intrinsic	57
4	Linking C/C++ Code	59
4.1	Invoking the Linker Through the Compiler (-z Option)	60
4.1.1	Invoking the Linker Separately	60
4.1.2	Invoking the Linker as Part of the Compile Step	61
4.1.3	Disabling the Linker (--compile_only Compiler Option)	61
4.2	Linker Options	62
4.3	Linker Code Optimizations	65
4.3.1	Generate List of Dead Functions (--generate_dead_funcs_list Option)	65
4.3.2	Generating Function Subsections (--gen_func_subsections Compiler Option)	65
4.4	Controlling the Linking Process	66
4.4.1	Including the Run-Time-Support Library	66
4.4.2	Run-Time Initialization	67
4.4.3	Initialization by the Interrupt Vector	67

4.4.4	Global Object Constructors	68
4.4.5	Specifying the Type of Global Variable Initialization.....	68
4.4.6	Specifying Where to Allocate Sections in Memory	69
4.4.7	A Sample Linker Command File	69
5	MSP430 C/C++ Language Implementation	71
5.1	Characteristics of MSP430 C	72
5.2	Characteristics of MSP430 C++	72
5.3	Data Types	73
5.4	Keywords	74
5.4.1	The const Keyword.....	74
5.4.2	The interrupt Keyword	74
5.4.3	The restrict Keyword	75
5.4.4	The volatile Keyword.....	75
5.5	C++ Exception Handling.....	76
5.6	Register Variables and Parameters.....	76
5.7	The asm Statement	77
5.8	Pragma Directives.....	78
5.8.1	The BIS_IE1_INTERRUPT	78
5.8.2	The CODE_SECTION Pragma.....	79
5.8.3	The DATA_ALIGN Pragma	80
5.8.4	The DATA_SECTION Pragma	81
5.8.5	The FUNC_CANNOT_INLINE Pragma	82
5.8.6	The FUNC_EXT_CALLED Pragma.....	82
5.8.7	The FUNC_IS_PURE Pragma.....	83
5.8.8	The FUNC_NEVER_RETURNS Pragma	83
5.8.9	The FUNC_NO_GLOBAL_ASG Pragma.....	83
5.8.10	The FUNC_NO_IND_ASG Pragma.....	84
5.8.11	The INTERRUPT Pragma.....	84
5.8.12	The NO_HOOKS Pragma.....	85
5.8.13	The vector Pragma.....	85
5.9	The _Pragma Operator	86
5.10	Generating Linknames.....	86
5.11	Initializing Static and Global Variables	87
5.11.1	Initializing Static and Global Variables With the Linker	87
5.11.2	Initializing Static and Global Variables With the const Type Qualifier.....	87
5.12	Changing the ANSI/ISO C Language Mode	88
5.12.1	Compatibility With K&R C (--kr_compatible Option)	88
5.12.2	Enabling Strict ANSI/ISO Mode and Relaxed ANSI/ISO Mode (--strict_ansi and --relaxed_ansi Options).....	89
5.12.3	Enabling Embedded C++ Mode (--embedded_cpp Option)	89
5.13	GNU C Compiler Extensions	90
5.13.1	Function Attributes	91
5.13.2	Built-In Functions.....	91
5.14	Compiler Limits	91
6	Run-Time Environment	93
6.1	Memory Model.....	94
6.1.1	Large-Code Memory Model	94
6.1.2	Large-Data Memory Model	94

6.1.3	Sections	95
6.1.4	C/C++ Software Stack	96
6.1.5	Dynamic Memory Allocation	96
6.1.6	Initialization of Variables.....	97
6.2	Object Representation	97
6.2.1	Data Type Storage	97
6.2.2	Character String Constants	99
6.3	Register Conventions	100
6.4	Function Structure and Calling Conventions	101
6.4.1	How a Function Makes a Call	102
6.4.2	How a Called Function Responds	102
6.4.3	Accessing Arguments and Local Variables.....	103
6.5	Interfacing C and C++ With Assembly Language	103
6.5.1	Using Assembly Language Modules With C/C++ Code	103
6.5.2	Accessing Assembly Language Variables From C/C++	104
6.5.3	Sharing C/C++ Header Files With Assembly Source	105
6.5.4	Using Inline Assembly Language.....	106
6.6	Interrupt Handling.....	106
6.6.1	Saving Registers During Interrupts	106
6.6.2	Using C/C++ Interrupt Routines	106
6.6.3	Using Assembly Language Interrupt Routines.....	107
6.6.4	Interrupt Vectors	107
6.6.5	Other Interrupt Information	107
6.7	Intrinsic Run-Time-Support Arithmetic and Conversion Routines	107
6.8	Using Intrinsics to Access Assembly Language Statements.....	108
6.8.1	MSP430 Intrinsics	108
6.8.2	The <code>__delay_cycle</code> Intrinsic.....	109
6.8.3	The <code>_never_executed</code> Intrinsic	109
6.9	System Initialization	111
6.9.1	System Pre-Initialization	111
6.9.2	Run-Time Stack.....	111
6.9.3	Automatic Initialization of Variables	112
6.9.4	Global Constructors	112
6.9.5	Initialization Tables	112
6.9.6	Autoinitialization of Variables at Run Time	114
6.9.7	Initialization of Variables at Load Time	114
6.10	Compiling for 20-Bit MSP430X Devices	115
7	Using Run-Time-Support Functions and Building Libraries	117
7.1	C and C++ Run-Time Support Libraries	118
7.1.1	Linking Code With the Object Library	119
7.1.2	Header Files	120
7.1.3	Modifying a Library Function	120
7.1.4	Changes to the Run-Time-Support Libraries.....	120
7.2	The C I/O Functions.....	121
7.2.1	Overview of Low-Level I/O Implementation	121
7.2.2	Adding a Device for C I/O	128
7.3	Handling Reentrancy (<code>_register_lock()</code> and <code>_register_unlock()</code> Functions).....	129
7.4	Library-Build Process.....	129

7.4.1	Required Non-Texas Instruments Software	130
7.4.2	Using the Library-Build Process	130
7.4.3	Library Naming Conventions	130
8	C++ Name Demangler	131
8.1	Invoking the C++ Name Demangler	132
8.2	C++ Name Demangler Options	132
8.3	Sample Usage of the C++ Name Demangler	132
A	Glossary	135
Index	140

List of Figures

1-1	MSP430 Software Development Flow	14
6-1	Memory Layout of var	99
6-2	Use of the Stack During a Function Call.....	101
6-3	Format of Initialization Records in the .cinit Section	112
6-4	Format of Initialization Records in the .pinit Section	113
6-5	Autoinitialization at Run Time	114
6-6	Initialization at Load Time	115
7-1	Interaction of Data Structures in I/O Functions	122
7-2	The First Three Streams in the Stream Table	122

List of Tables

2-1	Options That Control the Compiler	19
2-2	Options That Control Symbolic Debugging and Profiling	20
2-3	Options That Change the Default File Extensions	20
2-4	Options That Specify Files	20
2-5	Options That Specify Directories	20
2-6	Options That Are Machine-Specific.....	21
2-7	Options That Control Hooks	21
2-8	Options That Control Parsing.....	21
2-9	Parser Options That Control Preprocessing	22
2-10	Parser Options That Control Diagnostics	22
2-11	Options That Control Optimization	23
2-12	Options That Control the Assembler.....	23
2-13	Options That Control the Linker	24
2-14	Compiler Backwards-Compatibility Options Summary	32
2-15	Predefined Macro Names	35
2-16	Raw Listing File Identifiers	42
2-17	Raw Listing File Diagnostic Identifiers.....	42
3-1	Options That You Can Use With --opt_level=3.....	49
3-2	Selecting a File-Level Optimization Option	49
3-3	Selecting a Level for the --gen_opt_info Option.....	49
3-4	Selecting a Level for the --call_assumptions Option.....	50
3-5	Special Considerations When Using the --call_assumptions Option	51
4-1	Initialized Sections Created by the Compiler	69
4-2	Uninitialized Sections Created by the Compiler	69
5-1	MSP430 C/C++ Data Types	73
5-2	GCC Extensions Supported.....	90
5-3	TI-Supported GCC Function Attributes	91
5-4	TI-Supported GCC Built-In Functions.....	91
6-1	Summary of Sections and Memory Placement.....	95
6-2	Data Representation in Registers and Memory	97
6-3	How Register Types Are Affected by the Conventions	100
6-4	Register Usage and Preservation Conventions.....	100
6-5	MSP430 Intrinsics	108
7-1	C++ Standard Library Outline	118

Read This First

About This Manual

The *MSP430 Optimizing C/C++ Compiler User's Guide* explains how to use these compiler tools:

- Compiler
- Library-build process
- C++ name demangler

The C/C++ compiler accepts C and C++ code conforming to the International Organization for Standardization (ISO) standards for these languages. The compiler supports the 1989 version of the C language and the 1998 version of the C++ language.

This user's guide discusses the characteristics of the C/C++ compiler. It assumes that you already know how to write C programs. The C Programming Language (second edition), by Brian W. Kernighan and Dennis M. Ritchie, describes C based on the ISO C standard. You can use the Kernighan and Ritchie (hereafter referred to as K&R) book as a supplement to this manual. References to K&R C (as opposed to ISO C) in this manual refer to the C language as defined in the first edition of Kernighan and Ritchie's *The C Programming Language*.

Notational Conventions

This document uses the following conventions:

- Program listings, program examples, and interactive displays are shown in a *special typeface*. Interactive displays use a bold version of the special typeface to distinguish commands that you enter from items that the system displays (such as prompts, command output, error messages, etc.).

Here is a sample of C code:

```
#include <stdio.h>
main()
{   printf("hello, cruel world\n");
}
```

- In syntax descriptions, the instruction, command, or directive is in a **bold typeface** and parameters are in an *italic typeface*. Portions of a syntax that are in bold should be entered as shown; portions of a syntax that are in italics describe the type of information that should be entered.
- Square brackets ([and]) identify an optional parameter. If you use an optional parameter, you specify the information within the brackets. Unless the square brackets are in the **bold typeface**, do not enter the brackets themselves. The following is an example of a command that has an optional parameter:

```
cl430 [options] [filenames] [--run_linker [link_options] [object files]]
```

- Braces ({ and }) indicate that you must choose one of the parameters within the braces; you do not enter the braces themselves. This is an example of a command with braces that are not included in the actual syntax but indicate that you must specify either the `--rom_model` or `--ram_model` option:

```
cl430 --run_linker {--rom_model | --ram_model} [filenames] [--output_file=name.out]  
--library= libraryname
```

- In assembler syntax statements, column 1 is reserved for the first character of a label or symbol. If the label or symbol is optional, it is usually not shown. If it is a required parameter, it is shown starting against the left margin of the box, as in the example below. No instruction, command, directive, or parameter, other than a symbol or label, can begin in column 1.

```
symbol .usect "section name", size in bytes[, alignment]
```

- Some directives can have a varying number of parameters. For example, the .byte directive can have up to 100 parameters. This syntax is shown as [, ..., *parameter*].

Related Documentation

You can use the following books to supplement this user's guide:

ANSI X3.159-1989, Programming Language - C (Alternate version of the 1989 C Standard), American National Standards Institute

C: A Reference Manual (fourth edition), by Samuel P. Harbison, and Guy L. Steele Jr., published by Prentice Hall, Englewood Cliffs, New Jersey

DWARF Debugging Information Format Version 3, DWARF Debugging Information Format Workgroup, Free Standards Group, 2005 (<http://dwarfstd.org>)

ISO/IEC 14882-1998, International Standard - Programming Languages - C++ (The C++ Standard), International Organization for Standardization

ISO/IEC 9899:1989, International Standard - Programming Languages - C (The 1989 C Standard), International Organization for Standardization

ISO/IEC 9899:1999, International Standard - Programming Languages - C (The C Standard), International Organization for Standardization

Programming Embedded Systems in C and C++, by Michael Barr, Andy Oram (Editor), published by O'Reilly & Associates; ISBN: 1565923545, February 1999

Programming in C, Steve G. Kochan, Hayden Book Company

The Annotated C++ Reference Manual, Margaret A. Ellis and Bjarne Stroustrup, published by Addison-Wesley Publishing Company, Reading, Massachusetts, 1990

The C Programming Language (second edition), by Brian W. Kernighan and Dennis M. Ritchie, published by Prentice-Hall, Englewood Cliffs, New Jersey, 1988

The C++ Programming Language (second edition), Bjarne Stroustrup, published by Addison-Wesley Publishing Company, Reading, Massachusetts, 1990

Tool Interface Standards (TIS) DWARF Debugging Information Format Specification Version 2.0, TIS Committee, 1995

Related Documentation From Texas Instruments

You can use the following books to supplement this user's guide:

[SLAU012](#) — **MSP430x3xx Family User's Guide**. Describes the MSP430x3xx™ CPU architecture, instruction set, pipeline, and interrupts for these ultra-low power microcontrollers.

[SLAU049](#) — **MSP430x1xx Family User's Guide**. Describes the MSP430x1xx™ CPU architecture, instruction set, pipeline, and interrupts for these ultra-low power microcontrollers.

[SLAU056](#) — **MSP430x4xx Family User's Guide**. Describes the MSP430x4xx™ CPU architecture, instruction set, pipeline, and interrupts for these ultra-low power microcontrollers.

[SLAU132](#) — **MSP430 Assembly Language Tools User's Guide**. Describes the assembly language tools (the assembler, linker, and other tools used to develop assembly language code), assembler directives, macros, object file format, and symbolic debugging directives for the MSP430 devices.

[SLAU134](#) — **MSP430FE42x ESP30CE1 Peripheral Module User's Guide**. Describes common peripherals available on the MSP430FE42x and ESP430CE1 ultra-low power microcontrollers. This book includes information on the setup, operation, and registers of the ESP430CE1.

[SLAU208](#) — **MSP430x5xx Family User's Guide**. Describes the MSP430x5xx™ CPU architecture, instruction set, pipeline, and interrupts for these ultra-low power microcontrollers.

[SLAU144](#) — **MSP430x2xx Family User's Guide**. Describes the MSP430x2xx™ CPU architecture, instruction set, pipeline, and interrupts for these ultra-low power microcontrollers.

Trademarks

MSP430x3xx, MSP430x1xx, MSP430x4xx, MSP430x5xx, MSP430x2xx are trademarks of Texas Instruments.

Windows is a registered trademark of Microsoft Corporation.

UNIX is a registered trademark of licensed exclusively through X/Open Company Limited.

All other trademarks are the property of their respective owners.

Introduction to the Software Development Tools

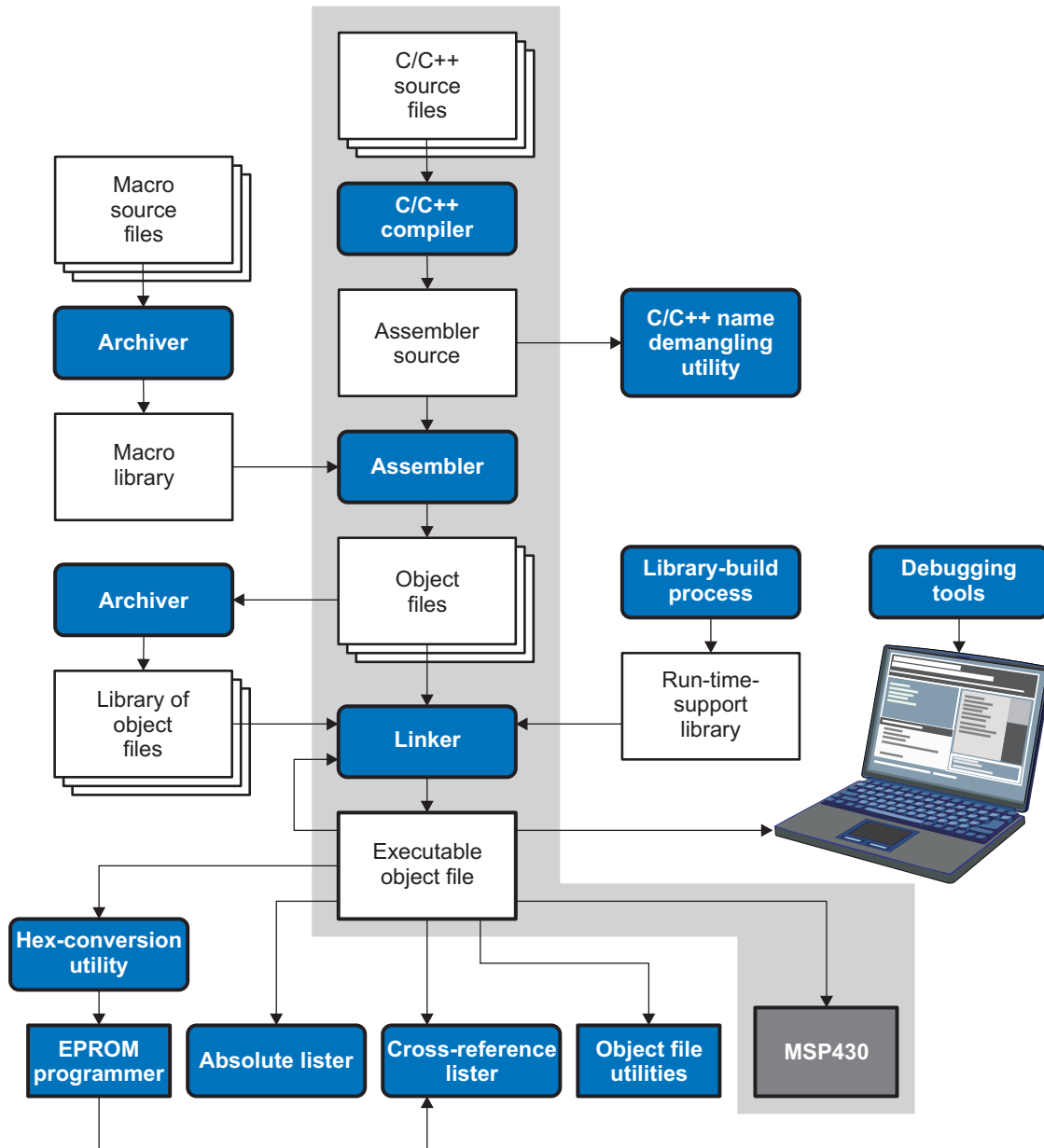
This chapter provides an overview of the optimizing C/C++ compiler, the assembler, the linker, and assorted utilities, and introduces the features of the optimizing C/C++ compiler. The assembler and linker are discussed in detail in the *MSP430 Assembly Language Tools User's Guide*.

Topic	Page
1.1 Software Development Tools Overview.....	14
1.2 C/C++ Compiler Overview	16

1.1 Software Development Tools Overview

Figure 1-1 illustrates the software development flow. The shaded portion of the figure highlights the most common path of software development for C language programs. The other portions are peripheral functions that enhance the development process.

Figure 1-1. MSP430 Software Development Flow



The following list describes the tools that are shown in [Figure 1-1](#):

- The **compiler** accepts C/C++ source code and produces MSP430 assembly language source code. See [Chapter 2](#).
- The **assembler** translates assembly language source files into machine language object files. The *MSP430 Assembly Language Tools User's Guide* explains how to use the assembler.
- The **linker** combines object files into a single executable object module. As it creates the executable module, it performs relocation and resolves external references. The linker accepts relocatable object files and object libraries as input. See [Chapter 4](#). The *MSP430 Assembly Language Tools User's Guide* provides a complete description of the linker.
- The **archiver** allows you to collect a group of files into a single archive file, called a *library*. Additionally, the archiver allows you to modify a library by deleting, replacing, extracting, or adding members. One of the most useful applications of the archiver is building a library of object modules. The *MSP430 Assembly Language Tools User's Guide* explains how to use the archiver.
- You can use the **library-build process** to build your own customized run-time-support library. See [Section 7.4](#). Standard run-time-support library functions for C and C++ are provided in the self-contained rtssrc.zip file.

The **run-time-support libraries** contain the standard ISO run-time-support functions, compiler-utility functions, floating-point arithmetic functions, and C I/O functions that are supported by the compiler. See [Chapter 7](#).

- The **hex conversion utility** converts an object file into other object formats. You can download the converted file to an EPROM programmer. The *MSP430 Assembly Language Tools User's Guide* explains how to use the hex conversion utility and describes all supported formats.
- The **absolute lister** accepts linked object files as input and creates .abs files as output. You can assemble these .abs files to produce a listing that contains absolute, rather than relative, addresses. Without the absolute lister, producing such a listing would be tedious and would require many manual operations. The *MSP430 Assembly Language Tools User's Guide* explains how to use the absolute lister.
- The **cross-reference lister** uses object files to produce a cross-reference listing showing symbols, their definitions, and their references in the linked source files. The *MSP430 Assembly Language Tools User's Guide* explains how to use the cross-reference utility.
- The **C++ name demangler** is a debugging aid that converts names mangled by the compiler back to their original names as declared in the C++ source code. As shown in [Figure 1-1](#), you can use the C++ name demangler on the assembly file that is output by the compiler; you can also use this utility on the assembler listing file and the linker map file. See [Chapter 8](#).
- The main product of this development process is a module that can be executed in a **MSP430** device.

1.2 C/C++ Compiler Overview

The following subsections describe the key features of the compiler.

1.2.1 ANSI/ISO Standard

The following features pertain to ISO standards:

- **ISO-standard C**

The C/C++ compiler fully conforms to the ISO C standard as defined by the ISO specification and described in the second edition of Kernighan and Ritchie's *The C Programming Language* (K&R). The ISO C standard supercedes and is the same as the ANSI C standard.

- **ISO-standard C++**

The C/C++ compiler supports C++ as defined by the ISO C++ Standard and described in Ellis and Stroustrup's *The Annotated C++ Reference Manual* (ARM). The compiler also supports embedded C++. For a description of *unsupported* C++ features, see [Section 5.2](#).

- **ISO-standard run-time support**

The compiler tools come with a complete run-time library. All library functions conform to the ISO C/C++ library standard. The library includes functions for standard input and output, string manipulation, dynamic memory allocation, data conversion, timekeeping, trigonometry, and exponential and hyperbolic functions. Functions for signal handling are not included, because these are target-system specific. The library includes the ISO C subset as well as those components necessary for language support. For more information, see [Chapter 7](#).

1.2.2 Output Files

The following features pertain to output files created by the compiler:

- **COFF object files**

Common object file format (COFF) allows you to define your system's memory map at link time. This maximizes performance by enabling you to link C/C++ code and data objects into specific memory areas. COFF also supports source-level debugging.

- **EPROM programmer data files**

For stand-alone embedded applications, the compiler has the ability to place all code and initialization data into ROM, allowing C/C++ code to run from reset. The COFF files output by the compiler can be converted to EPROM programmer data files by using the hex conversion utility, as described in the *MSP430 Assembly Language Tools User's Guide*.

1.2.3 Utilities

The following features pertain to the compiler utilities:

- **Library-build process**

The library-build process lets you custom-build object libraries from source for any combination of run-time models. For more information, see [Section 7.4](#).

- **C++ name demangler**

The C++ name demangler (dem430) is a debugging aid that translates each mangled name it detects to its original name found in the C++ source code. For more information, see [Chapter 8](#).

Using the C/C++ Compiler

The compiler translates your source program into code that the MSP430 can execute. Source code must be compiled, assembled, and linked to create an executable object file. All of these steps are executed at once by using the compiler.

Topic	Page
2.1 About the Compiler	18
2.2 Invoking the C/C++ Compiler	18
2.3 Changing the Compiler's Behavior With Options	19
2.4 Controlling the Compiler Through Environment Variables	32
2.5 Precompiled Header Support.....	34
2.6 Controlling the Preprocessor	35
2.7 Understanding Diagnostic Messages	38
2.8 Other Messages	41
2.9 Generating Cross-Reference Listing Information (--gen_acp_xref Option)	41
2.10 Generating a Raw Listing File (--gen_acp_raw Option)	42
2.11 Using Inline Function Expansion	43
2.12 Using Interlist	44
2.13 Enabling Entry Hook and Exit Hook Functions	46

2.1 About the Compiler

The compiler lets you compile, assemble, and optionally link in one step. The compiler performs the following steps on one or more source modules:

- The **compiler** accepts C/C++ source code and assembly code, and produces object code. You can compile C, C++, and assembly files in a single command. The compiler uses the filename extensions to distinguish between different file types. See [Section 2.3.7](#) for more information.
- The **linker** combines object files to create an executable object file. The linker is optional, so you can compile and assemble many modules independently and link them later. See [Chapter 4](#) for information about linking the files.

By default, the compiler does not invoke the linker. You can invoke the linker by using the `--run_linker` compiler option.

For a complete description of the assembler and the linker, see the *MSP430 Assembly Language Tools User's Guide*.

2.2 Invoking the C/C++ Compiler

To invoke the compiler, enter:

```
cl430 [options] [filenames] [--run_linker [link_options] object files]
```

cl430	Command that runs the compiler and the assembler.
<i>options</i>	Options that affect the way the compiler processes input files. The options are listed in Table 2-1 through Table 2-13 .
<i>filenames</i>	One or more C/C++ source files, assembly language source files, linear assembly files, or object files.
--run_linker	Option that invokes the linker. The <code>--run_linker</code> option's short form is <code>-z</code> . See Chapter 4 for more information.
<i>link_options</i>	Options that control the linking process.
<i>object files</i>	Name of the additional object files for the linking process.

The arguments to the compiler are of three types:

- Compiler options
- Link options
- Filenames

The `--run_linker` option indicates linking is to be performed. If the `--run_linker` option is used, any compiler options must precede the `--run_linker` option, and all other link options must follow the `--run_linker` option.

Source code filenames must be placed before the `--run_linker` option. Additional object file filenames can be placed after the `--run_linker` option.

For example, if you want to compile two files named `syntab.c` and `file.c`, assemble a third file named `seek.asm`, and link to create an executable program called `myprogram.out`, you will enter:

```
cl430 syntab.c file.c seek.asm --run_linker --library=lnk.cmd
      --library=rts430.lib --output_file=myprogram.out
```

2.3 Changing the Compiler's Behavior With Options

Options control the operation of the compiler. This section provides a description of option conventions and an option summary table. It also provides detailed descriptions of the most frequently used options, including options used for type-checking and assembling.

For an online summary of the options, enter **ci430** with no parameters on the command line.

The following apply to the compiler options:

- Options are preceded by one or two hyphens.
- Options are case sensitive.
- Options are either single letters or sequences of characters.
- Individual options cannot be combined.
- An option with a *required* parameter should be specified with an equal sign before the parameter to clearly associate the parameter with the option. For example, the option to undefine a constant can be expressed as `--undefine_name=name`. Although not recommended, you can separate the option and the parameter with or without a space, as in `--undefine_name name` or `-undefine_namename`.
- An option with an *optional* parameter should be specified with an equal sign before the parameter to clearly associate the parameter with the option. For example, the option to specify the maximum amount of optimization can be expressed as `-O=3`. Although not recommended, you can specify the parameter directly after the option, as in `-O3`. No space is allowed between the option and the optional parameter, so `-O 3` is not accepted.
- Files and options except the `--run_linker` option can occur in any order. The `--run_linker` option must follow all other compile options and precede any link options.

You can define default options for the compiler by using the `MSP430_C_OPTION` environment variable. For a detailed description of the environment variable, see [Section 2.4.1](#).

[Table 2-1](#) through [Table 2-13](#) summarize all options (including link options). Use the references in the tables for more complete descriptions of the options.

Table 2-1. Options That Control the Compiler

Option	Alias	Effect	Section
<code>--c_src_interlist</code>	<code>-ss</code>	Interlists C source and assembly statements	Section 2.12 Section 3.7
<code>--cmd_file=filename</code>	<code>-@</code>	Interprets contents of a file as an extension to the command line. Multiple <code>-@</code> instances can be used.	Section 2.3.1
<code>--compile_only</code>	<code>-c</code>	Disables linking (negates <code>--run_linker</code>)	Section 2.3.1 Section 4.1.3
<code>--compiler_revision</code>		Prints out the compiler release revision and exits	–
<code>--define=name[=def]</code>	<code>-D</code>	Predefines <i>name</i>	Section 2.3.1
<code>--gen_func_subsections</code>		Puts each function in a separate subsection in the object file	Section 4.3.2
<code>--help</code>	<code>-h</code>	Help	Section 2.3.1
<code>--include_path=directory</code>	<code>-I</code>	Defines <code>#include</code> search path	Section 2.3.1 Section 2.6.2.1
<code>--keep_asm</code>	<code>-k</code>	Keeps the assembly language (.asm) file	Section 2.3.1
<code>--preinclude=filename</code>		Includes <i>filename</i> at the beginning of compilation	Section 2.3.1
<code>--quiet</code>	<code>-q</code>	Suppresses progress messages (quiet)	Section 2.3.1
<code>--run_linker</code>	<code>-z</code>	Enables linking	Section 2.3.1
<code>--skip_assembler</code>	<code>-n</code>	Compiles or assembly optimizes only	Section 2.3.1
<code>--src_interlist</code>	<code>-s</code>	Interlists optimizer comments (if available) and assembly source statements; otherwise interlists C and assembly source statements	Section 2.3.1
<code>--undefine=name</code>	<code>-U</code>	Undefines <i>name</i>	Section 2.3.1
<code>--verbose</code>	<code>-v</code>	Displays a banner and function progress information	Section 2.3.1
<code>--tool_version</code>	<code>-version</code>	Displays version number for each tool	–

Table 2-2. Options That Control Symbolic Debugging and Profiling

Option	Alias	Effect	Section
--symdebug:dwarf	-g	Enables symbolic debugging	Section 2.3.3 Section 3.8
--symdebug:dwarf_version=2 3		Specifies the DWARF format version	Section 2.3.3
--symdebug:none		Disables all symbolic debugging	Section 2.3.3
--symdebug:skeletal		Enables minimal symbolic debugging that does not hinder optimizations (default behavior)	Section 2.3.3

Table 2-3. Options That Change the Default File Extensions

Option	Alias	Effect	Section
--asm_extension=[.]extension	-ea	Sets a default extension for assembly source files	Section 2.3.7
--c_extension=[.]extension	-ec	Sets a default extension for C source files	Section 2.3.7
--cpp_extension=[.]extension	-ep	Sets a default extension for C++ source files	Section 2.3.7
--listing_extension=[.]extension	-es	Sets a default extension for listing files	Section 2.3.7
--obj_extension=[.]extension	-eo	Sets a default extension for object files	Section 2.3.7

Table 2-4. Options That Specify Files

Option	Alias	Effect	Section
--asm_file=filename	-fa	Identifies <i>filename</i> as an assembly source file regardless of its extension. By default, the compiler and assembler treat .asm files as assembly source files.	Section 2.3.5
--c_file=filename	-fc	Identifies <i>filename</i> as a C source file regardless of its extension. By default, the compiler treats .c files as C source files.	Section 2.3.5
--cpp_default	-fg	Processes all source files with a C extension as C++ source files.	Section 2.3.5
--cpp_file=filename	-fp	Identifies <i>filename</i> as a C++ file, regardless of its extension. By default, the compiler treats .C, .cpp, .cc and .cxx files as a C++ files.	Section 2.3.5
--obj_file=filename	-fo	Identifies <i>filename</i> as an object code file regardless of its extension. By default, the compiler and linker treat .obj files as object code files.	Section 2.3.5

Table 2-5. Options That Specify Directories

Option	Alias	Effect	Section
--abs_directory=directory	-fb	Specifies an absolute listing file directory	Section 2.3.8
--asm_directory=directory	-fs	Specifies an assembly file directory	Section 2.3.8
--list_directory=directory	-ff	Specifies an assembly listing file and cross-reference listing file directory	Section 2.3.8
--obj_directory=directory	-fr	Specifies an object file directory	Section 2.3.8
--temp_directory=directory	-ft	Specifies a temporary file directory	Section 2.3.8

Table 2-6. Options That Are Machine-Specific

Option	Alias	Effect	Section
—aliased_variables	-ma	Assumes variables are aliased	Section 2.3.2
—large_memory_model	-ml	Use a large memory model when compiling for the MSP430X	Section 2.3.2
—opt_for_speed[=0-5]	-mf	Optimizes for speed over space	Section 2.3.2
—optimize_with_debug		Re-enables the optimizations disabled by the --symdebug:dwarf option.	Section 2.3.2
—plain_char={signed unsigned}	-mc	Changes variables of type char from unsigned to signed	Section 2.3.2
—printf_support={full minimal nofloat}		Enables support for smaller limited versions of printf.	Section 2.3.2
—small-enum		Uses the smallest possible size for the enumeration type	Section 2.3.2
—silicon_version={msp mspdx}	-v	Selects the instruction set.	Section 2.3.2

Table 2-7. Options That Control Hooks

Option	Alias	Effect	Section
--entry_hook[= <i>name</i>]		Enables entry hooks	Section 2.13
--entry_param={ <i>name</i> <i>address</i> none}		Specifies the parameters to the function to the --entry_hook option	Section 2.13
--exit_hook[= <i>name</i>]		Enables exit hooks	Section 2.13
--exit_param={ <i>name</i> <i>address</i> none}		Specifies the parameters to the function to the --exit_hook option	Section 2.13

Table 2-8. Options That Control Parsing

Option	Alias	Effect	Section
--create_pch= <i>filename</i>		Creates a precompiled header file with the name specified	Section 2.5
--embedded_cpp	-pe	Enables embedded C++ mode	Section 5.12.3
--exceptions		Enables C++ exception handling	Section 2.3.1
--fp_mode={relaxed strict}		Enables or disables relaxed floating-point mode	Section 2.3.1
--fp_reassoc={on off}		Enables or disables the reassociation of floating-point arithmetic	Section 2.3.1
--gcc		Enables support for GCC extensions	Section 5.13
--gen_asp_raw	-pl	Generates a raw listing file	Section 2.10
--gen_acp_xref	-px	Generates a cross-reference listing file	Section 2.9
--kr_compatible	-pk	Allows K&R compatibility	Section 5.12.1
--no_inlining	-pi	Disables definition-controlled inlining (but --opt_level=3 (or -O3) optimizations still perform automatic inlining)	Section 2.11
--pch		Creates or uses precompiled header files	Section 2.5
--pch_dir= <i>directory</i>		Specifies the path where the precompiled header file resides	Section 2.5
--pch_verbose		Displays a message for each precompiled header file that is considered but not used	Section 2.5
--program_level_compile	-pm	Combines source files to perform program-level optimization	Section 3.3
--relaxed_ansi	-pr	Enables relaxed mode; ignores strict ISO violations	Section 5.12.2
--rtti	-rtti	Enables run time type information (RTTI)	–
--sat_reassoc={on off}		Enables or disables the reassociation of saturating arithmetic	Section 2.3.1
--static_template_instantiation		Instantiate all template entities with internal linkage	–
--strict_ansi	-ps	Enables strict ISO mode (for C/C++, not K&R C)	Section 5.12.2
--use_pch= <i>filename</i>		Specifies the precompiled header file to use for this compilation	Section 2.5

Table 2-9. Parser Options That Control Preprocessing

Option	Alias	Effect	Section
--preproc_dependency[= <i>filename</i>]	-ppd	Performs preprocessing only, but instead of writing preprocessed output, writes a list of dependency lines suitable for input to a standard make utility	Section 2.6.7
--preproc_includes[= <i>filename</i>]	-ppi	Performs preprocessing only, but instead of writing preprocessed output, writes a list of files included with the #include directive	Section 2.6.8
--preproc_macros		Performs preprocessing only. Writes list of predefined and user-defined macros to a file with the same name as the input but with a .pp extension.	Section 2.6.9
--preproc_only	-ppo	Performs preprocessing only. Writes preprocessed output to a file with the same name as the input but with a .pp extension.	Section 2.6.3
--preproc_with_comments	-ppc	Performs preprocessing only. Writes preprocessed output, keeping the comments, to a file with the same name as the input but with a .pp extension.	Section 2.6.5
--preproc_with_compile	-ppa	Continues compilation after preprocessing	Section 2.6.4
--preproc_with_line	-ppl	Performs preprocessing only. Writes preprocessed output with line-control information (#line directives) to a file with the same name as the input but with a .pp extension.	Section 2.6.6

Table 2-10. Parser Options That Control Diagnostics

Option	Alias	Effect	Section
--diag_error= <i>num</i>	-pdse	Categorizes the diagnostic identified by <i>num</i> as an error	Section 2.7.1
--diag_remark= <i>num</i>	-pdsr	Categorizes the diagnostic identified by <i>num</i> as a remark	Section 2.7.1
--diag_suppress= <i>num</i>	-pds	Suppresses the diagnostic identified by <i>num</i>	Section 2.7.1
--diag_warning= <i>num</i>	-pdsr	Categorizes the diagnostic identified by <i>num</i> as a warning	Section 2.7.1
--display_error_number= <i>num</i>	-pden	Displays a diagnostic's identifiers along with its text	Section 2.7.1
--issue_remarks	-pdr	Issues remarks (nonserious warnings)	Section 2.7.1
--no_warnings	-pdw	Suppresses warning diagnostics (errors are still issued)	Section 2.7.1
--set_error_limit= <i>num</i>	-pdel	Sets the error limit to <i>num</i> . The compiler abandons compiling after this number of errors. (The default is 100.)	Section 2.7.1
--verbose_diagnostics	-pdv	Provides verbose diagnostics that display the original source with line-wrap	Section 2.7.1
--write_diagnostics_file ⁽¹⁾	-pdf	Generates a diagnostics information file	Section 2.7.1

⁽¹⁾ Parser only option.

Table 2-11. Options That Control Optimization⁽¹⁾

Option	Alias	Effect	Section
--auto_inline=[size]	-oi	Sets automatic inlining size (--opt_level=3 only). If <i>size</i> is not specified, the default is 1.	Section 3.6
--call_assumptions=0	-op0	Specifies that the module contains functions and variables that are called or modified from outside the source code provided to the compiler	Section 3.3.1
--call_assumptions=1	-op1	Specifies that the module contains variables modified from outside the source code provided to the compiler but does not use functions called from outside the source code	Section 3.3.1
--call_assumptions=2	-op2	Specifies that the module contains no functions or variables that are called or modified from outside the source code provided to the compiler (default)	Section 3.3.1
--call_assumptions=3	-op3	Specifies that the module contains functions that are called from outside the source code provided to the compiler but does not use variables modified from outside the source code	Section 3.3.1
--gen_opt_info=0	-on0	Disables the optimization information file	Section 3.2.2
--gen_opt_info=1	-on1	Produces an optimization information file	Section 3.2.2
--gen_opt_info=2	-on2	Produces a verbose optimization information file	Section 3.2.2
--opt_level=0	-O0	Optimizes register usage	Section 3.1
--opt_level=1	-O1	Uses -O0 optimizations and optimizes locally	Section 3.1
--opt_level=2	-O2 or -O	Uses -O1 optimizations and optimizes globally	Section 3.1
--opt_level=3	-O3	Uses -O2 optimizations and optimizes the file	Section 3.1 Section 3.2
--optimizer_interlist	-os	Interlists optimizer comments with assembly statements	Section 3.7
--single_inline		Inlines functions that are only called once	
--std_lib_func_defined	-ol1 or -oL1	Informs the optimizer that your file declares a standard library function	Section 3.2.1
--std_lib_func_not_defined	-ol2 or -oL2	Informs the optimizer that your file does not declare or alter library functions. Overrides the -ol0 and -ol1 options (default).	Section 3.2.1
--std_lib_func_redefined	-ol0 or -oL0	Informs the optimizer that your file alters a standard library function	Section 3.2.1

⁽¹⁾ **Note:** Machine-specific options (see [Table 2-6](#)) can also affect optimization.

Table 2-12. Options That Control the Assembler

Option	Alias	Effect	Section
--absolute_listing	-aa	Enables absolute listing	Section 2.3.9
--asm_define=name[=def]	-ad	Sets the <i>name</i> symbol	Section 2.3.9
--asm_dependency	-apd	Performs preprocessing; lists only assembly dependencies	Section 2.3.9
--asm_includes	-api	Performs preprocessing; lists only included #include files	Section 2.3.9
--asm_listing	-al	Generates an assembly listing file	Section 2.3.9
--asm_undefine=name	-au	Undefines the predefined constant <i>name</i>	Section 2.3.9
--copy_file=filename	-ahc	Copies the specified file for the assembly module	Section 2.3.9
--cross_reference	-ax	Generates the cross-reference file	Section 2.3.9
--include_file=filename	-ahi	Includes the specified file for the assembly module	Section 2.3.9
--output_all_syms	-as	Puts labels in the symbol table	Section 2.3.9
--syms_ignore_case	-ac	Makes case insignificant in assembly source files	Section 2.3.9

Table 2-13. Options That Control the Linker

Option	Alias	Description	Section
--absolute_exe	-a	Generates absolute executable output	Section 4.2
-ar		Generates relocatable, executable output	Section 4.2
--arg_size=size	--args	Allocates memory to be used by the loader to pass arguments	Section 4.2
--compress_dwarf		Aggressively reduces the size of DWARF information from input object files	Section 4.2
--define=name[=val]		Predefines <i>name</i> as a preprocessor macro.	Section 4.2
--diag_error=num		Categorizes the diagnostic identified by <i>num</i> as an error	Section 2.7.1
--diag_remark=num		Categorizes the diagnostic identified by <i>num</i> as a remark	Section 2.7.1
--diag_suppress=num		Suppresses the diagnostic identified by <i>num</i>	Section 2.7.1
--diag_warning=num		Categorizes the diagnostic identified by <i>num</i> as a warning	Section 2.7.1
--disable_auto_rts		Disables the automatic selection of a run-time-support library	Section 4.2
--disable_clink	-j	Disables conditional linking of COFF object modules	Section 4.2
--disable_pp		Disables preprocessing for link command files	Section 4.2
--display_error_number=num		Displays a diagnostic's identifiers along with its text	Section 2.7.1
--entry_point=global_symbol	-e	Defines an entry point	Section 4.2
--fill_value=value	-f	Sets default fill value	Section 4.2
--generate_dead_funcs_list=filename		Writes a list of the dead functions that were removed by the linker to <i>filename</i> .	Section 4.2
--heap_size=size	-heap	Sets heap size (bytes)	Section 4.2
--issue_remarks		Issues remarks (nonserious warnings)	Section 2.7.1
--library=libraryname	-l	Supplies library or command filename	Section 4.2
--linker_help	-help	Displays usage information	Section 4.2
--make_global=global_symbol	-g	Keeps a <i>global_symbol</i> global (overrides -h)	Section 4.2
--make_static	-h	Makes all global symbols static	Section 4.2
--map_file=filename	-m	Names the map file	Section 4.2
--mapfile_contents=filter[, filter]		Controls the information that appears in the map file	Section 4.2
--no_demangle		Disables demangling of symbol names in diagnostics	Section 4.2
--no_sym_merge	-b	Disables merge of COFF symbolic debugging information	Section 4.2
--no_sym_table	-s	Strips symbol table information and line number entries from the output module	Section 4.2
--no_warnings		Suppresses warning diagnostics (errors are still issued)	Section 2.7.1
--output_file=filename	-o	Names the output file.	Section 4.2
--priority	-priority	Satisfies unresolved references by the first library that contains a definition for that symbol	Section 4.2
--ram_model	-cr	Initializes variables at load time	Section 4.2 Section 6.9.7
--relocatable	-r	Produces nonexecutable, relocatable output	Section 4.2
--reread_libs	-x	Forces rereading of libraries	Section 4.2
--rom_model	-c	Autoinitializes variables at run time	Section 4.2 Section 6.9.7
--run_abs	-abs	Produces an absolute listing file	Section 4.2
--scan_libraries		Scans all libraries for duplicate symbol definitions	Section 4.2
--search_path=directory	-I	Defines library search path	Section 4.2
--set_error_limit=num		Sets the error limit to <i>num</i> . The linker abandons linking after this number of errors. (The default is 100.)	Section 2.7.1
--stack_size=size	-stack	Sets stack size (bytes)	Section 4.2
--strict_compatibility		Performs more conservative and rigorous compatibility checking of input object files	Section 4.2
--symbol_map=refname=defname		Enables symbol mapping	Section 4.2
--undef_sym	-u	Creates unresolved external symbol	Section 4.2

Table 2-13. Options That Control the Linker (continued)

Option	Alias	Description	Section
<code>--undefine=name[=val]</code>		Removes the preprocessor macro <i>name</i>	Section 4.2
<code>--use_hw_mpy[={16 32 F5}]</code>		Replaces all references to the default integer/long multiply routine with the version of the multiply routine that uses the hardware multiplier support.	Section 4.2
<code>--verbose_diagnostics</code>		Provides verbose diagnostics that display the original source with line-wrap	Section 2.7.1
<code>--warn_sections</code>	<code>-w</code>	Displays a message when an undefined output section is created	Section 4.2
<code>--xml_link_info</code>		Generates an XML information file	Section 4.2

2.3.1 Frequently Used Options

Following are detailed descriptions of options that you will probably use frequently:

- `--c_src_interlist`** Invokes the interlist feature, which interweaves original C/C++ source with compiler-generated assembly language. The interlisted C statements may appear to be out of sequence. You can use the interlist feature with the optimizer by combining the `--optimizer_interlist` and `--c_src_interlist` options. See [Section 3.7](#). The `--c_src_interlist` option can have a negative performance and/or code size impact.
- `--cmd_file=filename`** Appends the contents of a file to the option set. You can use this option to avoid limitations on command line length or C style comments imposed by the host operating system. Use a `#` or `;` at the beginning of a line in the command file to include comments. You can also include comments by delimiting them with `/*` and `*/`. To specify options, surround hyphens with quotation marks. For example, `--"quiet`.
You can use the `--cmd_file` option multiple times to specify multiple files. For instance, the following indicates that `file3` should be compiled as source and `file1` and `file2` are `--cmd_file` files:
`c1430 --cmd_file=file1 --cmd_file=file2 file3`
- `--compile_only`** Suppresses the linker and overrides the `--run_linker` option, which specifies linking. The `--compile_only` option's short form is `-c`. Use this option when you have `--run_linker` specified in the `MSP430_C_OPTION` environment variable and you do not want to link. See [Section 4.1.3](#).
- `--define_name=name[=def]`** Predefines the constant *name* for the preprocessor. This is equivalent to inserting `#define name def` at the top of each C source file. If the optional `[=def]` is omitted, the *name* is set to 1. The `--define_name` option's short form is `-D`.
If you want to define a quoted string and keep the quotation marks, do one of the following:
- For Windows®, use `--define_name=name="string def"`. For example, `--define_name=car="sedan"`
 - For UNIX®, use `--define_name=name="string def"`. For example, `--define_name=car="sedan"`
 - For Code Composer Studio, enter the definition in a file and include that file with the `--cmd_file` option.
- `--exceptions`** Enables support of C++ exception handling. The compiler will generate code to handle `try/catch/throw` statements in C++ code. See [Section 5.5](#).

- fp_mode={relaxed|strict}** Supports relaxed floating-point mode. In this mode, if the result of a double-precision floating-point expression is assigned to a single-precision floating-point or an integer, the computations in the expression are converted to single-precision computations. Any double-precision constants in the expression are also converted to single-precision if they can be correctly represented as single-precision constants. This behavior does not conform with ISO; but it results in faster code, with some loss in accuracy. In the following example, where N is a number, iN=integer variable, fN=float variable, dN=double variable:
- ```
i1 = f1 + f2 * 5.0 -> +, * are float, 5.0 is converted to 5.0f
i1 = d1 + d2 * d3 -> +, are float
f1 = f2 + f3 * 1.1; -> +, are float, 1.1 is converted to 1
```
- To enable relaxed floating-point mode use the `--fp_mode=relaxed` option, which also sets `--fp_reassoc=on`. To disable relaxed floating-point mode use the `--fp_mode=strict` option, which also sets `--fp_reassoc=off`. The default behavior is `--fp_mode=strict`.
- If `--strict_ansi` is specified, `--fp_mode=strict` is set automatically. You can enable the relaxed floating-point mode with strict ansi mode by specifying `--fp_mode=relaxed` after `--strict_ansi`.
- fp\_reassoc={on|off}** Enables or disables the reassociation of floating-point arithmetic. If `--fp_mode=relaxed` is specified, `--fp_reassoc=on` is set automatically. If `--strict_ansi` is set, `--fp_reassoc=off` is set since reassociation of floating-point arithmetic is an ANSI violation.
- help** Displays the syntax for invoking the compiler and lists available options. If the `--help` option is followed by another option or phrase detailed information about the option or phrase is displayed. For example, to see information about debugging options use `--help debug`.
- include\_path=directory** Adds *directory* to the list of directories that the compiler searches for `#include` files. The `--include_path` option's short form is `-I`. You can use this option several times to define several directories; be sure to separate the `--include_path` options with spaces. If you do not specify a directory name, the preprocessor ignores the `--include_path` option. See [Section 2.6.2.1](#).
- keep\_asm** Retains the assembly language output from the compiler or assembly optimizer. Normally, the compiler deletes the output assembly language file after assembly is complete. The `--keep_asm` option's short form is `-k`.
- preinclude=filename** Includes the source code of *filename* at the beginning of the compilation. This can be used to establish standard macro definitions. The filename is searched for in the directories on the include search list. The files are processed in the order in which they were specified.
- quiet** Suppresses banners and progress information from all the tools. Only source filenames and error messages are output. The `--quiet` option's short form is `-q`.
- run\_linker** Runs the linker on the specified object files. The `--run_linker` option and its parameters follow all other options on the command line. All arguments that follow `--run_linker` are passed to the linker. The `--run_linker` option's short form is `-z`. See [Section 4.1](#).

|                                    |                                                                                                                                                                                                                                                                                                                                                                                                                                                                                                                                                                                                                                                                                     |
|------------------------------------|-------------------------------------------------------------------------------------------------------------------------------------------------------------------------------------------------------------------------------------------------------------------------------------------------------------------------------------------------------------------------------------------------------------------------------------------------------------------------------------------------------------------------------------------------------------------------------------------------------------------------------------------------------------------------------------|
| <b>--sat_reassoc={on off}</b>      | Enables or disables the reassociation of saturating arithmetic.                                                                                                                                                                                                                                                                                                                                                                                                                                                                                                                                                                                                                     |
| <b>--skip_assembler</b>            | Compiles only. The specified source files are compiled but not assembled or linked. The <code>--skip_assembler</code> option's short form is <code>-n</code> . This option overrides <code>--run_linker</code> . The output is assembly language output from the compiler.                                                                                                                                                                                                                                                                                                                                                                                                          |
| <b>--src_interlist</b>             | Invokes the interlist feature, which interweaves optimizer comments or C/C++ source with assembly source. If the optimizer is invoked ( <code>--opt_level=<i>n</i></code> option), optimizer comments are interlisted with the assembly language output of the compiler, which may rearrange code significantly. If the optimizer is not invoked, C/C++ source statements are interlisted with the assembly language output of the compiler, which allows you to inspect the code generated for each C/C++ statement. The <code>--src_interlist</code> option implies the <code>--keep_asm</code> option. The <code>--src_interlist</code> option's short form is <code>-s</code> . |
| <b>--tool_version</b>              | Prints the version number for each tool in the compiler. No compiling occurs.                                                                                                                                                                                                                                                                                                                                                                                                                                                                                                                                                                                                       |
| <b>--undefine_name=<i>name</i></b> | Undefines the predefined constant <i>name</i> . This option overrides any <code>--define_name</code> options for the specified constant. The <code>--undefine_name</code> option's short form is <code>-U</code> .                                                                                                                                                                                                                                                                                                                                                                                                                                                                  |
| <b>--verbose</b>                   | Displays progress information and toolset version while compiling. Resets the <code>--quiet</code> option.                                                                                                                                                                                                                                                                                                                                                                                                                                                                                                                                                                          |

### 2.3.2 Machine-Specific Options

These options are specific to the MSP430 toolset. The linker options are described in [Section 4.2](#). Please see the referenced sections for more information.

|                                   |                                                                                                                                                                                                                                                                                                                                                                                                                                                                                                                                |
|-----------------------------------|--------------------------------------------------------------------------------------------------------------------------------------------------------------------------------------------------------------------------------------------------------------------------------------------------------------------------------------------------------------------------------------------------------------------------------------------------------------------------------------------------------------------------------|
| <b>--aliased_variables</b>        | Assumes that variables are aliased. The compiler assumes that pointers may alias (point to) named variables. Therefore, it disables register optimizations when an assignment is made through a pointer when the compiler determines that there may be another pointer pointing to the same object. See <a href="#">Section 3.4</a> .                                                                                                                                                                                          |
| <b>--gcc</b>                      | Enables support for GCC extensions. See <a href="#">Section 5.13</a> .                                                                                                                                                                                                                                                                                                                                                                                                                                                         |
| <b>--large_memory_model</b>       | Uses a large memory model for an MSP430X device. The large-data model uses 20-bit data pointers, which allows data to be located anywhere in the address space and not be restricted to the low 64 Kb.                                                                                                                                                                                                                                                                                                                         |
| <b>--opt_for_speed[=<i>n</i>]</b> | Controls speed vs size tradeoffs in optimization. By default, the MSP430 optimizer attempts to reduce the size of your code at the expense of speed. A value of 5 indicates fully optimizing for speed with a potentially large code size penalty while a value of 0 indicates fully optimizing for size. Values between 0 and 5 indicate tradeoffs between the two extremes. If this option is not specified a default value of 1 is used. If the option is specified with no argument then a value of 4 is used. (Default:4) |
| <b>--optimize_with_debug</b>      | Re-enables the optimizations disabled by the <code>--symdebug:dwarf</code> option. If you use the <code>--symdebug:dwarf</code> option, many code generator optimizations are disabled because they disrupt the debugger. Therefore, if you use the <code>--optimize_with_debug</code> option, portions of the debugger's functionality will be unreliable.                                                                                                                                                                    |

|                                       |                                                                                                                                                                                                                                                                                                                                                                                                                                                                                                                                                                                                                                                                                                                                                                                                                                                                                                                                                                                                                                                                                                                                                                                                                                                                                                                                                                                                                                                                                                                                                                                                                                                                                                                                                  |
|---------------------------------------|--------------------------------------------------------------------------------------------------------------------------------------------------------------------------------------------------------------------------------------------------------------------------------------------------------------------------------------------------------------------------------------------------------------------------------------------------------------------------------------------------------------------------------------------------------------------------------------------------------------------------------------------------------------------------------------------------------------------------------------------------------------------------------------------------------------------------------------------------------------------------------------------------------------------------------------------------------------------------------------------------------------------------------------------------------------------------------------------------------------------------------------------------------------------------------------------------------------------------------------------------------------------------------------------------------------------------------------------------------------------------------------------------------------------------------------------------------------------------------------------------------------------------------------------------------------------------------------------------------------------------------------------------------------------------------------------------------------------------------------------------|
| <b>--plain_char={unsigned signed}</b> | Specifies how to treat C/C++ plain char variables, default is unsigned.                                                                                                                                                                                                                                                                                                                                                                                                                                                                                                                                                                                                                                                                                                                                                                                                                                                                                                                                                                                                                                                                                                                                                                                                                                                                                                                                                                                                                                                                                                                                                                                                                                                                          |
| <b>--printf_support=version</b>       | <p>Enables support for smaller, limited versions of the printf and sprintf run-time-support functions. The valid version values are full (default), nofloat and minimal.</p> <p>The printf/sprintf functions use a common low-level routine, <code>_printfi</code>, which processes a given printf format string. The full version of <code>_printfi</code> provides formatting capabilities that are not required in typical embedded applications. To address this the C run-time libraries also include two limited of versions of <code>_printfi</code> that provide a useful subset of the formatting features specified by C library standard.</p> <p>One version excludes support for printing floating values. All format specifiers except for <code>%f</code>, <code>%g</code>, <code>%G</code>, <code>%e</code>, or <code>%E</code> are supported. You specify this version with <code>—printf_support=nofloat</code> when compiling and linking.</p> <p>The other version only supports printing of integer, char, or string values without width or precision flags. Specifically, only the <code>%%</code>, <code>%d</code>, <code>%o</code>, <code>%c</code>, <code>%s</code>, and <code>%x</code> format specifiers are supported. You specify this version with <code>—printf_support=minimal</code> when compiling and linking.</p> <p>There are no run-time error checks if a format specifier is used but is not supported in the version specified by the <code>—printf_support</code> option. An upcoming release will add compile-time checks.</p> <p>The <code>—printf_support</code> option precedes the <code>—run_linker</code> option; <code>—printf_support</code> must be used when performing the final link.</p> |
| <b>--small_enum</b>                   | By default, the MSP430 compiler uses 16 bits for every enum. When you use the <code>--small-enum</code> option, the smallest possible byte size for the enumeration type is used. For example, <code>enum example_enum {first = -128, second = 0, third = 127}</code> uses only one byte instead of 16 bits when the <code>--small-enum</code> option is used. Do not link object files compiled with the <code>--small-enum</code> option with object files that have been compiled without it. If you use the <code>--small-enum</code> option, you must use it with all of your C/C++ files, otherwise, you will encounter errors that cannot be detected until run time.                                                                                                                                                                                                                                                                                                                                                                                                                                                                                                                                                                                                                                                                                                                                                                                                                                                                                                                                                                                                                                                                     |
| <b>--silicon_version</b>              | Selects the instruction set version. Using <code>--silicon_version=msp430x</code> generates code for MSP430X devices (20-bit code addressing). Using <code>--silicon_version=msp430</code> generates code for 16-bit MSP430 devices. Modules assembled/compiled for 16-bit MSP430 devices are not compatible with modules that are assembled/compiled for 20-bit MSPx devices. The linker generates errors if an attempt is made to combine incompatible object files.                                                                                                                                                                                                                                                                                                                                                                                                                                                                                                                                                                                                                                                                                                                                                                                                                                                                                                                                                                                                                                                                                                                                                                                                                                                                           |

### 2.3.3 Symbolic Debugging Options

The following options are used to select symbolic debugging or profiling:

|                                       |                                                                                                                                                                                                                                                                                                                                                                                                                                                                                                                                                                                            |
|---------------------------------------|--------------------------------------------------------------------------------------------------------------------------------------------------------------------------------------------------------------------------------------------------------------------------------------------------------------------------------------------------------------------------------------------------------------------------------------------------------------------------------------------------------------------------------------------------------------------------------------------|
| <b>--symdebug:dwarf</b>               | Generates directives that are used by the C/C++ source-level debugger and enables assembly source debugging in the assembler. The --symdebug:dwarf option's short form is -g. The --symdebug_dwarf option disables many code generator optimizations, because they disrupt the debugger. You can use the --symdebug_dwarf option with the --opt_level (aliased as -O) option to maximize the amount of optimization that is compatible with debugging (see <a href="#">Section 3.8</a> ).<br><br>For more information on the DWARF debug format, see <i>The DWARF Debugging Standard</i> . |
| <b>--symdebug:dwarf_version={2 3}</b> | Specifies the DWARF debugging format version (2 or 3) to be generated when --symdebug:dwarf or --symdebug:skeletal is specified. For more information on TI extensions to the DWARF language, see <i>The Impact of DWARF on TI Object Files</i> (SPRAAB5).                                                                                                                                                                                                                                                                                                                                 |
| <b>--symdebug:none</b>                | Disables all symbolic debugging output. This option is not recommended; it prevents debugging and most performance analysis capabilities.                                                                                                                                                                                                                                                                                                                                                                                                                                                  |
| <b>--symdebug:skeletal</b>            | Generates as much symbolic debugging information as possible without hindering optimization. Generally, this consists of global-scope information only. This option reflects the default behavior of the compiler.                                                                                                                                                                                                                                                                                                                                                                         |

See [Section 2.3.10](#) for a list of deprecated symbolic debugging options.

### 2.3.4 Specifying Filenames

The input files that you specify on the command line can be C source files, C++ source files, assembly source files, or object files. The compiler uses filename extensions to determine the file type.

| Extension                                    | File Type                   |
|----------------------------------------------|-----------------------------|
| .asm, .abs, or .s* (extension begins with s) | Assembly source             |
| .c                                           | C source                    |
| .C                                           | Depends on operating system |
| .cpp, .cxx, .cc                              | C++ source                  |
| .obj                                         | Object                      |

---

**Note: Case Sensitivity in Filename Extensions**

Case sensitivity in filename extensions is determined by your operating system. If your operating system is not case sensitive, a file with a .C extension is interpreted as a C file. If your operating system is case sensitive, a file with a .C extension is interpreted as a C++ file.

---

For information about how you can alter the way that the compiler interprets individual filenames, see [Section 2.3.5](#). For information about how you can alter the way that the compiler interprets and names the extensions of assembly source and object files, see [Section 2.3.8](#).

You can use wildcard characters to compile or assemble multiple files. Wildcard specifications vary by system; use the appropriate form listed in your operating system manual. For example, to compile all of the files in a directory with the extension .cpp, enter the following:

```
c1430 *.cpp
```

---

**Note: No Default Extension for Source Files is Assumed**

If you list a filename called `example` on the command line, the compiler assumes that the entire filename is `example` not `example.c`. No default extensions are added onto files that do not contain an extension.

---

### 2.3.5 Changing How the Compiler Interprets Filenames

You can use options to change how the compiler interprets your filenames. If the extensions that you use are different from those recognized by the compiler, you can use the filename options to specify the type of file. You can insert an optional space between the option and the filename. Select the appropriate option for the type of file you want to specify:

```
--asm_file=filename for an assembly language source file
--c_file=filename for a C source file
--cpp_file=filename for a C++ source file
--obj_file=filename for an object file
```

For example, if you have a C source file called `file.s` and an assembly language source file called `assy`, use the `--asm_file` and `--c_file` options to force the correct interpretation:

```
c1430 --c_file=file.s --asm_file=assy
```

You cannot use the filename options with wildcard specifications.

### 2.3.6 Changing How the Compiler Processes C Files

The `--cpp_default` option causes the compiler to process C files as C++ files. By default, the compiler treats files with a `.c` extension as C files. See [Section 2.3.7](#) for more information about filename extension conventions.

### 2.3.7 Changing How the Compiler Interprets and Names Extensions

You can use options to change how the compiler program interprets filename extensions and names the extensions of the files that it creates. The filename extension options must precede the filenames they apply to on the command line. You can use wildcard specifications with these options. An extension can be up to nine characters in length. Select the appropriate option for the type of extension you want to specify:

```
--asm_extension=new extension for an assembly language file
--c_extension=new extension for a C source file
--cpp_extension=new extension for a C++ source file
--listing_extension=new extension sets default extension for listing files
--obj_extension=new extension for an object file
```

The following example assembles the file `fit.rrr` and creates an object file named `fit.o`:

```
c1430 --asm_extension=.rrr --obj_extension=.o fit.rrr
```

The period (`.`) in the extension is optional. You can also write the example above as:

```
c1430 --asm_extension=rrr --obj_extension=o fit.rrr
```

### 2.3.8 Specifying Directories

By default, the compiler program places the object, assembly, and temporary files that it creates into the current directory. If you want the compiler program to place these files in different directories, use the following options:

|                                   |                                                                                                                                                                                                                                         |
|-----------------------------------|-----------------------------------------------------------------------------------------------------------------------------------------------------------------------------------------------------------------------------------------|
| <b>--abs_directory=directory</b>  | Specifies the destination directory for absolute listing files. The default is to use the same directory as the object file directory. For example:<br><code>cl430 --abs_directory=d:\abso_list</code>                                  |
| <b>--asm_directory=directory</b>  | Specifies a directory for assembly files. For example:<br><code>cl430 --asm_directory=d:\assembly</code>                                                                                                                                |
| <b>--list_directory=directory</b> | Specifies the destination directory for assembly listing files and cross-reference listing files. The default is to use the same directory as the object file directory. For example:<br><code>cl430 --list_directory=d:\listing</code> |
| <b>--obj_directory=directory</b>  | Specifies a directory for object files. For example:<br><code>cl430 --obj_directory=d:\object</code>                                                                                                                                    |
| <b>--temp_directory=directory</b> | Specifies a directory for temporary intermediate files. For example:<br><code>cl430 --temp_directory=c:\temp</code>                                                                                                                     |

### 2.3.9 Assembler Options

Following are assembler options that you can use with the compiler. For more information, see the *MSP430 Assembly Language Tools User's Guide*.

|                                |                                                                                                                                                                                                                                                                                                                                                                                                                                                                                                                                                                                                                                                                                                                                                                              |
|--------------------------------|------------------------------------------------------------------------------------------------------------------------------------------------------------------------------------------------------------------------------------------------------------------------------------------------------------------------------------------------------------------------------------------------------------------------------------------------------------------------------------------------------------------------------------------------------------------------------------------------------------------------------------------------------------------------------------------------------------------------------------------------------------------------------|
| <b>--absolute_listing</b>      | Generates a listing with absolute addresses rather than section-relative offsets.                                                                                                                                                                                                                                                                                                                                                                                                                                                                                                                                                                                                                                                                                            |
| <b>--asm_define=name[=def]</b> | Predefines the constant <i>name</i> for the assembler; produces a <code>.set</code> directive for a constant or a <code>.arg</code> directive for a string. If the optional <code>[=def]</code> is omitted, the <i>name</i> is set to 1. If you want to define a quoted string and keep the quotation marks, do one of the following: <ul style="list-style-type: none"> <li>• For Windows, use <code>--asm_define=name="\string def"</code>. For example: <code>--asm_define=car="\sedan"</code></li> <li>• For UNIX, use <code>--asm_define=name="string def"</code>. For example: <code>--asm_define=car=' "sedan" '</code></li> <li>• For Code Composer Studio, enter the definition in a file and include that file with the <code>--cmd_file</code> option.</li> </ul> |
| <b>--asm_dependency</b>        | Performs preprocessing for assembly files, but instead of writing preprocessed output, writes a list of dependency lines suitable for input to a standard make utility. The list is written to a file with the same name as the source file but with a <code>.ppa</code> extension.                                                                                                                                                                                                                                                                                                                                                                                                                                                                                          |
| <b>--asm_includes</b>          | Performs preprocessing for assembly files, but instead of writing preprocessed output, writes a list of files included with the <code>#include</code> directive. The list is written to a file with the same name as the source file but with a <code>.ppa</code> extension.                                                                                                                                                                                                                                                                                                                                                                                                                                                                                                 |
| <b>--asm_listing</b>           | Produces an assembly listing file.                                                                                                                                                                                                                                                                                                                                                                                                                                                                                                                                                                                                                                                                                                                                           |
| <b>--asm_undefine=name</b>     | Undefines the predefined constant <i>name</i> . This option overrides any <code>--asm_define</code> options for the specified constant.                                                                                                                                                                                                                                                                                                                                                                                                                                                                                                                                                                                                                                      |

|                                |                                                                                                                                                                                                                                   |
|--------------------------------|-----------------------------------------------------------------------------------------------------------------------------------------------------------------------------------------------------------------------------------|
| <b>--copy_file=filename</b>    | Copies the specified file for the assembly module; acts like a .copy directive. The file is inserted before source file statements. The copied file appears in the assembly listing files.                                        |
| <b>--cross_reference</b>       | Produces a symbolic cross-reference in the listing file.                                                                                                                                                                          |
| <b>--include_file=filename</b> | Includes the specified file for the assembly module; acts like a .include directive. The file is included before source file statements. The included file does not appear in the assembly listing files.                         |
| <b>--output_all_syms</b>       | Puts labels in the symbol table. Label definitions are written to the COFF symbol table for use with symbolic debugging.                                                                                                          |
| <b>--syms_ignore_case</b>      | Makes letter case insignificant in the assembly language source files. For example, --syms_ignore_case makes the symbols ABC and abc equivalent. <i>If you do not use this option, case is significant (this is the default).</i> |

### 2.3.10 Deprecated Options

Several compiler options have been deprecated. The compiler continues to accept these options, but they are not recommended for use. Future releases of the tools will not support these options. [Table 2-14](#) lists the deprecated options and the options that have replaced them.

**Table 2-14. Compiler Backwards-Compatibility Options Summary**

| Old Option | Effect                                                                | New Option             |
|------------|-----------------------------------------------------------------------|------------------------|
| -gp        | Allows function-level profiling of optimized code                     | --symdebug:dwarf or -g |
| -gt        | Enables symbolic debugging using the alternate STABS debugging format | --symdebug:coff        |
| -gw        | Enables symbolic debugging using the DWARF debugging format           | --symdebug:dwarf or -g |

Additionally, the --symdebug:profile\_coff option has been added to enable function-level profiling of optimized code with symbolic debugging using the STABS debugging format (the --symdebug:coff or -gt option).

## 2.4 Controlling the Compiler Through Environment Variables

An environment variable is a system symbol that you define and assign a string to. Setting environment variables is useful when you want to run the compiler repeatedly without re-entering options, input filenames, or pathnames.

---

**Note:** **C\_OPTION** and **C\_DIR**

The C\_OPTION and C\_DIR environment variables are deprecated. Use the device-specific environment variables instead.

---

### 2.4.1 Setting Default Compiler Options (MSP430\_C\_OPTION)

You might find it useful to set the compiler, assembler, and linker default options using the MSP430\_C\_OPTION environment variable. If you do this, the compiler uses the default options and/or input filenames that you name with MSP430\_C\_OPTION every time you run the compiler.

Setting the default options with these environment variables is useful when you want to run the compiler consecutive times with the same set of options and/or input files. After the compiler reads the command line and the input filenames, it looks for the MSP430\_C\_OPTION environment variable and processes it.



The table below shows how to set the MSP430\_C\_OPTION environment variable. Select the command for your operating system:

| Operating System    | Enter                                                                                         |
|---------------------|-----------------------------------------------------------------------------------------------|
| UNIX (Bourne shell) | <b>MSP430_C_OPTION="option<sub>1</sub>[option<sub>2</sub> . . .]"; export MSP430_C_OPTION</b> |
| Windows             | <b>set MSP430_C_OPTION=option<sub>1</sub>[;option<sub>2</sub>. . .]</b>                       |

Environment variable options are specified in the same way and have the same meaning as they do on the command line. For example, if you want to always run quietly (the `--quiet` option), enable C/C++ source interlisting (the `--src_interlist` option), and link (the `--run_linker` option) for Windows, set up the MSP430\_C\_OPTION environment variable as follows:

```
set MSP430_C_OPTION=--quiet --src_interlist --run_linker
```

In the following examples, each time you run the compiler, it runs the linker. Any options following `--run_linker` on the command line or in MSP430\_C\_OPTION are passed to the linker. Thus, you can use the MSP430\_C\_OPTION environment variable to specify default compiler and linker options and then specify additional compiler and linker options on the command line. If you have set `--run_linker` in the environment variable and want to compile only, use the compiler `--compile_only` option. These additional examples assume MSP430\_C\_OPTION is set as shown above:

```
cl430 *c ; compiles and links
cl430 --compile_only *.c ; only compiles
cl430 *.c --run_linker lnk.cmd ; compiles and links using a command file
cl430 --compile_only *.c --run_linker lnk.cmd
; only compiles (--compile_only overrides --run_linker)
```

For details on compiler options, see [Section 2.3](#). For details on linker options, see [Section 4.2](#).

## 2.4.2 Naming an Alternate Directory (MSP430\_C\_DIR)

The linker uses the MSP430\_C\_DIR environment variable to name alternate directories that contain object libraries. The command syntaxes for assigning the environment variable are:

| Operating System    | Enter                                                                                    |
|---------------------|------------------------------------------------------------------------------------------|
| UNIX (Bourne shell) | <b>MSP430_C_DIR="pathname<sub>1</sub>;pathname<sub>2</sub>;..."; export MSP430_C_DIR</b> |
| Windows             | <b>set MSP430_C_DIR=pathname<sub>1</sub>;pathname<sub>2</sub>;...</b>                    |

The *pathnames* are directories that contain input files. The pathnames must follow these constraints:

- Pathnames must be separated with a semicolon.
- Spaces or tabs at the beginning or end of a path are ignored. For example, the space before and after the semicolon in the following is ignored:

```
set MSP430_C_DIR=c:\path\one\to\tools ; c:\path\two\to\tools
```

- Spaces and tabs are allowed within paths to accommodate Windows directories that contain spaces. For example, the pathnames in the following are valid:

```
set MSP430_C_DIR=c:\first path\to\tools;d:\second path\to\tools
```

The environment variable remains set until you reboot the system or reset the variable by entering:

| Operating System    | Enter                           |
|---------------------|---------------------------------|
| UNIX (Bourne shell) | <code>unset MSP430_C_DIR</code> |
| Windows             | <code>set MSP430_C_DIR=</code>  |

## 2.5 Precompiled Header Support

Precompiled header files may reduce the compile time for applications whose source files share a common set of headers, or a single file which has a large set of header files. Using precompiled headers, some recompilation is avoided thus saving compilation time.

There are two ways to use precompiled header files. One is the automatic precompiled header file processing and the other is called the manual precompiled header file processing.

### 2.5.1 Automatic Precompiled Header

The option to turn on automatic precompiled header processing is: `--pch`. Under this option, the compile step takes a snapshot of all the code prior to the header stop point, and dump it out to a file with suffix `.pch`. This snapshot does not have to be recompiled in the future compilations of this file or compilations of files with the same header files.

The stop point typically is the first token in the primary source file that does not belong to a preprocessing directive. For example, in the following the stopping point is before `int i`:

```
#include "x.h"
#include "y.h"
int i
```

Carefully organizing the include directives across multiple files so that their header files maximize common usage can increase the compile time savings when using precompiled headers.

A precompiled header file is produced only if the header stop point and the code prior to it meet certain requirements.

### 2.5.2 Manual Precompiled Header

You can manually control the creation and use of precompiled headers by using several command line options. You specify a precompiled header file with a specific filename as follows:

**`--create_pch=filename`**

The `--use_pch=filename` option specifies that the indicated precompiled header file should be used for this compilation. If this precompiled header file is invalid, if its prefix does not match the prefix for the current primary source file for example, a warning is issued and the header file is not used.

If `--create_pch=filename` or `--use_pch=filename` is used with `--pch_dir`, the indicated filename, which can be a path name, is tacked on to the directory name, unless the filename is an absolute path name.

The `--create_pch`, `--use_pch`, and `--pch` options cannot be used together. If more than one of these options is specified, only the last one is applied. In manual mode, the header stop points are determined in the same way as in automatic mode. The precompiled header file applicability is determined in the same manner.

### 2.5.3 Additional Precompiled Header Options

The `--pch_verbose` option displays a message for each precompiled header file that is considered but not used. The `--pch_dir=pathname` option specifies the path where the precompiled header file resides.

## 2.6 Controlling the Preprocessor

This section describes specific features that control the preprocessor, which is part of the parser. A general description of C preprocessing is in section A12 of K&R. The C/C++ compiler includes standard C/C++ preprocessing functions, which are built into the first pass of the compiler. The preprocessor handles:

- Macro definitions and expansions
- #include files
- Conditional compilation
- Various preprocessor directives, specified in the source file as lines beginning with the # character

The preprocessor produces self-explanatory error messages. The line number and the filename where the error occurred are printed along with a diagnostic message.

### 2.6.1 Predefined Macro Names

The compiler maintains and recognizes the predefined macro names listed in [Table 2-15](#).

**Table 2-15. Predefined Macro Names**

| Macro Name                           | Description                                                                                                                                                                                                                                                                                                                                                                              |
|--------------------------------------|------------------------------------------------------------------------------------------------------------------------------------------------------------------------------------------------------------------------------------------------------------------------------------------------------------------------------------------------------------------------------------------|
| <code>__DATE__</code> <sup>(1)</sup> | Expands to the compilation date in the form <i>mmm dd yyyy</i>                                                                                                                                                                                                                                                                                                                           |
| <code>__FILE__</code> <sup>(1)</sup> | Expands to the current source filename                                                                                                                                                                                                                                                                                                                                                   |
| <code>__INLINE</code>                | Expands to 1 if optimization is used ( <code>--opt_level</code> or <code>-O</code> option); undefined otherwise. Regardless of any optimization, always undefined when <code>--no_inlining</code> is used.                                                                                                                                                                               |
| <code>__LARGE_CODE_MODEL__</code>    | Defined if <code>—silicon_version=mspx</code> is specified                                                                                                                                                                                                                                                                                                                               |
| <code>__LARGE_DATA_MODEL</code>      | Defined if <code>—large_memory_model</code> is specified                                                                                                                                                                                                                                                                                                                                 |
| <code>__LINE__</code> <sup>(1)</sup> | Expands to the current line number                                                                                                                                                                                                                                                                                                                                                       |
| <code>__MSP430__</code>              | Always defined                                                                                                                                                                                                                                                                                                                                                                           |
| <code>__MSP430X461X__</code>         | Defined if <code>--silicon_version=mspx</code> is specified                                                                                                                                                                                                                                                                                                                              |
| <code>__signed_chars__</code>        | Defined if char types are signed by default ( <code>--plain_char=signed</code> )                                                                                                                                                                                                                                                                                                         |
| <code>__STDC__</code> <sup>(1)</sup> | Defined to indicate that compiler conforms to ISO C Standard. See <a href="#">Section 5.1</a> for exceptions to ISO C conformance.                                                                                                                                                                                                                                                       |
| <code>__TI_COMPILER_VERSION__</code> | Defined to a 7-digit integer that takes the 3-digit release version number X.Y.Z and generates an integer XXXYYYZZZ where each portion X, Y and Z is expanded to three digits and concatenated together. The number does not contain a decimal. For example, version 3.2.1 is represented as 3002001. The leading zeros are dropped to prevent the number being interpreted as an octal. |
| <code>__TIME__</code> <sup>(1)</sup> | Expands to the compilation time in the form <i>hh:mm:ss</i>                                                                                                                                                                                                                                                                                                                              |
| <code>__unsigned_chars__</code>      | Defined if char types are unsigned by default (default or <code>— plain_char=unsigned</code> )                                                                                                                                                                                                                                                                                           |

<sup>(1)</sup> Specified by the ISO standard

You can use the names listed in [Table 2-15](#) in the same manner as any other defined name. For example,

```
printf ("%s %s" , __TIME__ , __DATE__);
```

translates to a line such as:

```
printf ("%s %s" , "13:58:17" , "Jan 14 1997");
```

## 2.6.2 The Search Path for #include Files

The #include preprocessor directive tells the compiler to read source statements from another file. When specifying the file, you can enclose the filename in double quotes or in angle brackets. The filename can be a complete pathname, partial path information, or a filename with no path information.

- If you enclose the filename in double quotes (" "), the compiler searches for the file in the following directories in this order:
  1. The directory of the file that contains the #include directive and in the directories of any files that contain that file.
  2. Directories named with the --include\_path option.
  3. Directories set with the MSP430\_C\_DIR environment variable.
- If you enclose the filename in angle brackets (< >), the compiler searches for the file in the following directories in this order:
  1. Directories named with the --include\_path option.
  2. Directories set with the MSP430\_C\_DIR environment variable.

See [Section 2.6.2.1](#) for information on using the --include\_path option. See [Section 2.4.2](#) for more information on input file directories.

### 2.6.2.1 Changing the #include File Search Path (--include\_path Option)

The --include\_path option names an alternate directory that contains #include files. The --include\_path option's short form is -I. The format of the --include\_path option is:

```
--include_path=directory1 [--include_path=directory2 ...]
```

There is no limit to the number of --include\_path options per invocation of the compiler; each --include\_path option names one *directory*. In C source, you can use the #include directive without specifying any directory information for the file; instead, you can specify the directory information with the --include\_path option. For example, assume that a file called source.c is in the current directory. The file source.c contains the following directive statement:

```
#include "alt.h"
```

Assume that the complete pathname for alt.h is:

|         |                      |
|---------|----------------------|
| UNIX    | /tools/files/alt.h   |
| Windows | c:\tools\files\alt.h |

The table below shows how to invoke the compiler. Select the command for your operating system:

| Operating System | Enter                                        |
|------------------|----------------------------------------------|
| UNIX             | cl430 --include_path=tools/files source.c    |
| Windows          | cl430 --include_path=c:\tools\files source.c |

**Note: Specifying Path Information in Angle Brackets**

If you specify the path information in angle brackets, the compiler applies that information relative to the path information specified with `--include_path` options and the `MSP430_C_DIR` environment variable.

For example, if you set up `MSP430_C_DIR` with the following command:

```
MSP430_C_DIR "/usr/include;/usr/ucb"; export C_DIR
```

or invoke the compiler with the following command:

```
cl430 --include_path=/usr/include file.c
```

and `file.c` contains this line:

```
#include <sys/proc.h>
```

the result is that the included file is in the following path:

```
/usr/include/sys/proc.h
```

---

### 2.6.3 *Generating a Preprocessed Listing File (--preproc\_only Option)*

The `--preproc_only` option allows you to generate a preprocessed version of your source file with an extension of `.pp`. The compiler's preprocessing functions perform the following operations on the source file:

- Each source line ending in a backslash (`\`) is joined with the following line.
- Trigraph sequences are expanded.
- Comments are removed.
- `#include` files are copied into the file.
- Macro definitions are processed.
- All macros are expanded.
- All other preprocessing directives, including `#line` directives and conditional compilation, are expanded.

### 2.6.4 *Continuing Compilation After Preprocessing (--preproc\_with\_compile Option)*

If you are preprocessing, the preprocessor performs preprocessing only; it does not compile your source code. To override this feature and continue to compile after your source code is preprocessed, use the `--preproc_with_compile` option along with the other preprocessing options. For example, use `--preproc_with_compile` with `--preproc_only` to perform preprocessing, write preprocessed output to a file with a `.pp` extension, and compile your source code.

### 2.6.5 *Generating a Preprocessed Listing File With Comments (--preproc\_with\_comments Option)*

The `--preproc_with_comments` option performs all of the preprocessing functions except removing comments and generates a preprocessed version of your source file with a `.pp` extension. Use the `--preproc_with_comments` option instead of the `--preproc_only` option if you want to keep the comments.

### 2.6.6 *Generating a Preprocessed Listing File With Line-Control Information (--preproc\_with\_line Option)*

By default, the preprocessed output file contains no preprocessor directives. To include the `#line` directives, use the `--preproc_with_line` option. The `--preproc_with_line` option performs preprocessing only and writes preprocessed output with line-control information (`#line` directives) to a file named as the source file but with a `.pp` extension.

### 2.6.7 Generating Preprocessed Output for a Make Utility (`--preproc_dependency Option`)

The `--preproc_dependency` option performs preprocessing only, but instead of writing preprocessed output, writes a list of dependency lines suitable for input to a standard make utility. If you do not supply an optional filename, the list is written to a file with the same name as the source file but with a `.pp` extension.

### 2.6.8 Generating a List of Files Included With the `#include` Directive (`--preproc_includes Option`)

The `--preproc_includes` option performs preprocessing only, but instead of writing preprocessed output, writes a list of files included with the `#include` directive. If you do not supply an optional filename, the list is written to a file with the same name as the source file but with a `.pp` extension.

### 2.6.9 Generating a List of Macros in a File (`--preproc_macros Option`)

The `--preproc_macros` option generates a list of all predefined and user-defined macros. If you do not supply an optional filename, the list is written to a file with the same name as the source file but with a `.pp` extension. Predefined macros are listed first and indicated by the comment `/* Predefined */`. User-defined macros are listed next and indicated by the source filename.

## 2.7 Understanding Diagnostic Messages

One of the compiler's primary functions is to report diagnostics for the source program. The new linker also reports diagnostics. When the compiler or linker detects a suspect condition, it displays a message in the following format:

```
"file.c", line n: diagnostic severity: diagnostic message
```

|                                  |                                                                         |
|----------------------------------|-------------------------------------------------------------------------|
| <code>"file.c"</code>            | The name of the file involved                                           |
| <code>line n :</code>            | The line number where the diagnostic applies                            |
| <code>diagnostic severity</code> | The diagnostic message severity (severity category descriptions follow) |
| <code>diagnostic message</code>  | The text that describes the problem                                     |

Diagnostic messages have an associated severity, as follows:

- A **fatal error** indicates a problem so severe that the compilation cannot continue. Examples of such problems include command-line errors, internal errors, and missing include files. If multiple source files are being compiled, any source files after the current one will not be compiled.
- An **error** indicates a violation of the syntax or semantic rules of the C/C++ language. Compilation continues, but object code is not generated.
- A **warning** indicates something that is valid but questionable. Compilation continues and object code is generated (if no errors are detected).
- A **remark** is less serious than a warning. It indicates something that is valid and probably intended, but may need to be checked. Compilation continues and object code is generated (if no errors are detected). By default, remarks are not issued. Use the `--issue_remarks` compiler option to enable remarks.

Diagnostics are written to standard error with a form like the following example:

```
"test.c", line 5: error: a break statement may only be used within a loop or switch
 break;
 ^
```

By default, the source line is omitted. Use the `--verbose_diagnostics` compiler option to enable the display of the source line and the error position. The above example makes use of this option.

The message identifies the file and line involved in the diagnostic, and the source line itself (with the position indicated by the ^ character) follows the message. If several diagnostics apply to one source line, each diagnostic has the form shown; the text of the source line is displayed several times, with an appropriate position indicated each time.

Long messages are wrapped to additional lines, when necessary.

You can use the `--display_error_number` command-line option to request that the diagnostic's numeric identifier be included in the diagnostic message. When displayed, the diagnostic identifier also indicates whether the diagnostic can have its severity overridden on the command line. If the severity can be overridden, the diagnostic identifier includes the suffix `-D` (for *discretionary*); otherwise, no suffix is present. For example:

```
"Test_name.c", line 7: error #64-D: declaration does not declare anything
 struct {};
 ^

"Test_name.c", line 9: error #77: this declaration has no storage class or type specifier
 xxxxx;
 ^
```

Because an error is determined to be discretionary based on the error severity associated with a specific context, an error can be discretionary in some cases and not in others. All warnings and remarks are discretionary.

For some messages, a list of entities (functions, local variables, source files, etc.) is useful; the entities are listed following the initial error message:

```
"test.c", line 4: error: more than one instance of overloaded function "f"
 matches the argument list:
 function "f(int)"
 function "f(float)"
 argument types are: (double)

 f(1.5);
 ^
```

In some cases, additional context information is provided. Specifically, the context information is useful when the front end issues a diagnostic while doing a template instantiation or while generating a constructor, destructor, or assignment operator function. For example:

```
"test.c", line 7: error: "A::A()" is inaccessible
 B x;
 ^
 detected during implicit generation of "B::B()" at line 7
```

Without the context information, it is difficult to determine to what the error refers.

### 2.7.1 Controlling Diagnostics

The C/C++ compiler provides diagnostic options to modify how the parser interprets your code. These options are used by the linker to control linker-generated diagnostics. The diagnostic options must be specified before the `--run_linker` option.

- `--diag_error=num`** Categorizes the diagnostic identified by *num* as an error. To determine the numeric identifier of a diagnostic message, use the `--display_error_number` option first in a separate compile. Then use `--diag_error=num` to recategorize the diagnostic as an error. You can only alter the severity of discretionary diagnostics.
- `--diag_remark=num`** Categorizes the diagnostic identified by *num* as a remark. To determine the numeric identifier of a diagnostic message, use the `--display_error_number` option first in a separate compile. Then use `--diag_remark=num` to recategorize the diagnostic as a remark. You can only alter the severity of discretionary diagnostics.

- diag\_suppress=num** Suppresses the diagnostic identified by *num*. To determine the numeric identifier of a diagnostic message, use the `--display_error_number` option first in a separate compile. Then use `--diag_suppress=num` to suppress the diagnostic. You can only suppress discretionary diagnostics.
- diag\_warning=num** Categorizes the diagnostic identified by *num* as a warning. To determine the numeric identifier of a diagnostic message, use the `--display_error_number` option first in a separate compile. Then use `--diag_warning=num` to recategorize the diagnostic as a warning. You can only alter the severity of discretionary diagnostics.
- display\_error\_number** Displays a diagnostic's numeric identifier along with its text. Use this option in determining which arguments you need to supply to the diagnostic suppression options (`--diag_suppress`, `--diag_error`, `--diag_remark`, and `--diag_warning`). This option also indicates whether a diagnostic is discretionary. A discretionary diagnostic is one whose severity can be overridden. A discretionary diagnostic includes the suffix `-D`; otherwise, no suffix is present. See [Section 2.7](#).
- issue\_remarks** Issues remarks (nonserious warnings), which are suppressed by default.
- no\_warnings** Suppresses warning diagnostics (errors are still issued).
- set\_error\_limit=num** Sets the error limit to *num*, which can be any decimal value. The compiler abandons compiling after this number of errors. (The default is 100.)
- verbose\_diagnostics** Provides verbose diagnostics that display the original source with line-wrap and indicate the position of the error in the source line
- write\_diagnostics\_file** Produces a diagnostics information file with the same source file name with an `.err` extension. (The `--write_diagnostics_file` option is not supported by the linker.)

## 2.7.2 How You Can Use Diagnostic Suppression Options

The following example demonstrates how you can control diagnostic messages issued by the compiler. You control the linker diagnostic messages in a similar manner.

```
int one();
int I;
int main()
{
 switch (I){
 case 1;
 return one ();
 break;
 default:
 return 0;
 break;
 }
}
```

If you invoke the compiler with the `--quiet` option, this is the result:

```
"err.c", line 9: warning: statement is unreachable
"err.c", line 12: warning: statement is unreachable
```

Because it is standard programming practice to include `break` statements at the end of each case arm to avoid the fall-through condition, these warnings can be ignored. Using the `--display_error_number` option, you can find out the diagnostic identifier for these warnings. Here is the result:

```
[err.c]
"err.c", line 9: warning #111-D: statement is unreachable
"err.c", line 12: warning #111-D: statement is unreachable
```



Next, you can use the diagnostic identifier of 111 as the argument to the `--diag_remark` option to treat this warning as a remark. This compilation now produces no diagnostic messages (because remarks are disabled by default).

Although this type of control is useful, it can also be extremely dangerous. The compiler often emits messages that indicate a less than obvious problem. Be careful to analyze all diagnostics emitted before using the suppression options.

## 2.8 Other Messages

Other error messages that are unrelated to the source, such as incorrect command-line syntax or inability to find specified files, are usually fatal. They are identified by the symbol `>>` preceding the message.

## 2.9 Generating Cross-Reference Listing Information (`--gen_acp_xref` Option)

The `--gen_acp_xref` option generates a cross-reference listing file that contains reference information for each identifier in the source file. (The `--gen_acp_xref` option is separate from `--cross_reference`, which is an assembler rather than a compiler option.) The cross-reference listing file has the same name as the source file with a `.crl` extension.

The information in the cross-reference listing file is displayed in the following format:

*sym-id name X filename line number column number*

|                      |                                                          |
|----------------------|----------------------------------------------------------|
| <i>sym-id</i>        | An integer uniquely assigned to each identifier          |
| <i>name</i>          | The identifier name                                      |
| <i>X</i>             | One of the following values:                             |
|                      | D      Definition                                        |
|                      | d      Declaration (not a definition)                    |
|                      | M      Modification                                      |
|                      | A      Address taken                                     |
|                      | U      Used                                              |
|                      | C      Changed (used and modified in a single operation) |
|                      | R      Any other kind of reference                       |
|                      | E      Error; reference is indeterminate                 |
| <i>filename</i>      | The source file                                          |
| <i>line number</i>   | The line number in the source file                       |
| <i>column number</i> | The column number in the source file                     |

## 2.10 Generating a Raw Listing File (--gen\_acp\_raw Option)

The --gen\_acp\_raw option generates a raw listing file that can help you understand how the compiler is preprocessing your source file. Whereas the preprocessed listing file (generated with the --preproc\_only, --preproc\_with\_comment, --preproc\_with\_line, and --preproc\_dependency preprocessor options) shows a preprocessed version of your source file, a raw listing file provides a comparison between the original source line and the preprocessed output. The raw listing file has the same name as the corresponding source file with an .rl extension.

The raw listing file contains the following information:

- Each original source line
- Transitions into and out of include files
- Diagnostics
- Preprocessed source line if nontrivial processing was performed (comment removal is considered trivial; other preprocessing is nontrivial)

Each source line in the raw listing file begins with one of the identifiers listed in [Table 2-16](#).

**Table 2-16. Raw Listing File Identifiers**

| Identifier | Definition                                                                                                                                                                                                                                                                                                                                                              |
|------------|-------------------------------------------------------------------------------------------------------------------------------------------------------------------------------------------------------------------------------------------------------------------------------------------------------------------------------------------------------------------------|
| N          | Normal line of source                                                                                                                                                                                                                                                                                                                                                   |
| X          | Expanded line of source. It appears immediately following the normal line of source if nontrivial preprocessing occurs.                                                                                                                                                                                                                                                 |
| S          | Skipped source line (false #if clause)                                                                                                                                                                                                                                                                                                                                  |
| L          | Change in source position, given in the following format:<br>L <i>line number filename key</i><br><br>Where <i>line number</i> is the line number in the source file. The <i>key</i> is present only when the change is due to entry/exit of an include file. Possible values of <i>key</i> are:<br><br>1 = entry into an include file<br>2 = exit from an include file |

The --gen\_acp\_raw option also includes diagnostic identifiers as defined in [Table 2-17](#).

**Table 2-17. Raw Listing File Diagnostic Identifiers**

| Diagnostic Identifier | Definition |
|-----------------------|------------|
| E                     | Error      |
| F                     | Fatal      |
| R                     | Remark     |
| W                     | Warning    |

Diagnostic raw listing information is displayed in the following format:

*S filename line number column number diagnostic*

|                      |                                                                                                    |
|----------------------|----------------------------------------------------------------------------------------------------|
| <b>S</b>             | One of the identifiers in <a href="#">Table 2-17</a> that indicates the severity of the diagnostic |
| <i>filename</i>      | The source file                                                                                    |
| <i>line number</i>   | The line number in the source file                                                                 |
| <i>column number</i> | The column number in the source file                                                               |
| <i>diagnostic</i>    | The message text for the diagnostic                                                                |

Diagnostics after the end of file are indicated as the last line of the file with a column number of 0. When diagnostic message text requires more than one line, each subsequent line contains the same file, line, and column information but uses a lowercase version of the diagnostic identifier. For more information about diagnostic messages, see [Section 2.7](#).

## 2.11 Using Inline Function Expansion

When an inline function is called, the C/C++ source code for the function is inserted at the point of the call. This is known as inline function expansion. Inline function expansion is advantageous in short functions for the following reasons:

- It saves the overhead of a function call.
- Once inlined, the optimizer is free to optimize the function in context with the surrounding code.

Inline function expansion is performed in one of the following ways:

- Intrinsic operators are inlined by default.
- Code is compiled with definition-controlled inlining.
- When the optimizer is invoked with the `--opt_level=3` option (`-O3`), automatic inline expansion is performed at call sites to small functions. For more information about automatic inline function expansion, see [Section 3.6](#).

---

**Note: Function Inlining Can Greatly Increase Code Size**

Expanding functions inline increases code size, especially inlining a function that is called in a number of places. Function inlining is optimal for functions that are called only from a small number of places and for small functions.

---

### 2.11.1 Inlining Intrinsic Operators

An operator is intrinsic if it can be implemented very efficiently with the target's instruction set. The compiler automatically inlines the intrinsic operators of the target system by default. Inlining happens whether or not you use the optimizer and whether or not you use any compiler or optimizer options on the command line. These functions are considered the intrinsic operators:

- `abs`
- `labs`
- `fabs`

### 2.11.2 Using the `inline` Keyword, the `--no_inlining` Option, and Level 3 Optimization

Definition-controlled inline function expansion is performed when you invoke the compiler with optimization and the compiler encounters the `inline` keyword in code. Functions with a variable number of arguments are not inlined. In addition, a limit is placed on the depth of inlining for recursive or nonleaf functions. Inlining should be used for small functions or functions that are called in a few places (though the compiler does not enforce this). You can control this type of function inlining with the `inline` keyword.

The `inline` keyword specifies that a function is expanded inline at the point at which it is called, rather than by using standard calling procedures.

The semantics of the `inline` keyword follows that described in the C++ standard. The `inline` keyword is identically supported in C as a language extension. Because it is a language extension that could conflict with a strictly conforming program, however, the keyword is disabled in strict ANSI C mode (when you use the `--strict_ansi` compiler option). If you want to use definition-controlled inlining while in strict ANSI C mode, use the alternate keyword `__inline`.

When you want to compile without definition-controlled inlining, use the `--no_inlining` option.

**Note: Using the --no\_inlining Option With Level 3 Optimizations**

When you use the --no\_inlining option with --opt\_level=3 (aliased as -O3) optimizations, automatic inlining is still performed.

## 2.12 Using Interlist

The compiler tools include a feature that interlists C/C++ source statements into the assembly language output of the compiler. The interlist feature enables you to inspect the assembly code generated for each C statement. The interlist behaves differently, depending on whether or not the optimizer is used, and depending on which options you specify.

The easiest way to invoke the interlist feature is to use the --c\_src\_interlist option. To compile and run the interlist on a program called function.c, enter:

```
cl430 --c_src_interlist function
```

The --c\_src\_interlist option prevents the compiler from deleting the interlisted assembly language output file. The output assembly file, function.asm, is assembled normally.

When you invoke the interlist feature without the optimizer, the interlist runs as a separate pass between the code generator and the assembler. It reads both the assembly and C/C++ source files, merges them, and writes the C/C++ statements into the assembly file as comments.

Using the --c\_src\_interlist option can cause performance and/or code size degradation.

[Example 2-1](#) shows a typical interlisted assembly file.

For more information about using the interlist feature with the optimizer, see [Section 3.7](#).

**Example 2-1. An Interlisted Assembly Language File**

```

;*****
;* MSP430 C/C++ Codegen Unix v0.2.0 *
;* Date/Time created: Tue Jun 29 14:54:28 2004 *
;*****
; .compiler_opts --mem_model:code=flat --mem_model:data=flat --symdebug:none
; acp430 -@/var/tmp/TI764/AAAv0aGVG
; .sect ".text"
; .align 2
; .clink
; .global main
;-----
; 3 | int main()
;-----
;*****
;* FUNCTION NAME: main *
;* *
;* Regs Modified : SP,SR,r11,r12,r13,r14,r15 *
;* Regs Used : SP,SR,r11,r12,r13,r14,r15 *
;* Local Frame Size : 2 Args + 0 Auto + 0 Save = 2 byte *
;*****
main:
;* -----*
; SUB.W #2,SP
;-----
; 5 | printf("Hello, world\n");
;-----
; MOV.W #CSSL1+0,0(SP) ; |5|
; CALL #printf ; |5|
; ; |5|
;-----
; 7 | return 0;
;-----
; MOV.W #0,r12 ; |7|
; ADD.W #2,SP ; |7|
; RET ; |7|
; ; |7|
;*****
;* STRINGS *
;*****
; .sect ".const"
; .align 2
CSSL1: .string "Hello, world",10,0
;*****
;* UNDEFINED EXTERNAL REFERENCES *
;*****
; .global printf

```

## 2.13 Enabling Entry Hook and Exit Hook Functions

An entry hook is a routine that is called upon entry to each function in the program. An exit hook is a routine that is called upon exit of each function. Applications for hooks include debugging, trace, profiling, and stack overflow checking.

Entry and exit hooks are enabled using the following options:

- |                                                      |                                                                                                                                                                                                                                                                                                                                                                                                                                                                                                                                                                                                                                                            |
|------------------------------------------------------|------------------------------------------------------------------------------------------------------------------------------------------------------------------------------------------------------------------------------------------------------------------------------------------------------------------------------------------------------------------------------------------------------------------------------------------------------------------------------------------------------------------------------------------------------------------------------------------------------------------------------------------------------------|
| <b>--entry_hook[=<i>name</i>]</b>                    | Enables entry hooks. If specified, the hook function is called <i>name</i> . Otherwise, the default entry hook function name is <code>__entry_hook</code> .                                                                                                                                                                                                                                                                                                                                                                                                                                                                                                |
| <b>--entry_param{=<i>name</i> <br/>address none}</b> | Specify the parameters to the hook function. The name parameter specifies that the name of the calling function is passed to the hook function as an argument. In this case the signature for the hook function is: <code>void hook(const char *name);</code><br>The address parameter specifies that the address of the calling function is passed to the hook function. In this case the signature for the hook function is: <code>void hook(void (*addr)());</code><br>The none parameter specifies that the hook is called with no parameters. This is the default. In this case the signature for the hook function is: <code>void hook(void);</code> |
| <b>--exit_hook[=<i>name</i>]</b>                     | Enables exit hooks. If specified, the hook function is called <i>name</i> . Otherwise, the default exit hook function name is <code>__exit_hook</code> .                                                                                                                                                                                                                                                                                                                                                                                                                                                                                                   |
| <b>--exit_param{=<i>name</i> <br/>address none}</b>  | Specify the parameters to the hook function. The name parameter specifies that the name of the calling function is passed to the hook function as an argument. In this case the signature for the hook function is: <code>void hook(const char *name);</code><br>The address parameter specifies that the address of the calling function is passed to the hook function. In this case the signature for the hook function is: <code>void hook(void (*addr)());</code><br>The none parameter specifies that the hook is called with no parameters. This is the default. In this case the signature for the hook function is: <code>void hook(void);</code> |

The presence of the hook options creates an implicit declaration of the hook function with the given signature. If a declaration or definition of the hook function appears in the compilation unit compiled with the options, it must agree with the signatures listed above.

In C++, the hooks are declared extern "C". Thus you can define them in C (or assembly) without being concerned with name mangling.

Hooks can be declared inline, in which case the compiler tries to inline them using the same criteria as other inline functions.

Entry hooks and exit hooks are independent. You can enable one but not the other, or both. The same function can be used as both the entry and exit hook.

You must take care to avoid recursive calls to hook functions. The hook function should not call any function which itself has hook calls inserted. To help prevent this, hooks are not generated for inline functions, or for the hook functions themselves.

See [Section 5.8.12](#) for information about the `NO_HOOKS` pragma.

## Optimizing Your Code

---

---

---

The compiler tools can perform many optimizations to improve the execution speed and reduce the size of C and C++ programs by simplifying loops, software pipelining, rearranging statements and expressions, and allocating variables into registers.

This chapter describes how to invoke different levels of optimization and describes which optimizations are performed at each level. This chapter also describes how you can use the Interlist feature when performing optimization and how you can profile or debug optimized code.

| Topic                                                                                                          | Page      |
|----------------------------------------------------------------------------------------------------------------|-----------|
| <b>3.1 Invoking Optimization.....</b>                                                                          | <b>48</b> |
| <b>3.2 Performing File-Level Optimization (--opt_level=3 option) .....</b>                                     | <b>49</b> |
| <b>3.3 Performing Program-Level Optimization<br/>(--program_level_compile and --opt_level=3 options) .....</b> | <b>50</b> |
| <b>3.4 Accessing Aliased Variables in Optimized Code .....</b>                                                 | <b>52</b> |
| <b>3.5 Use Caution With asm Statements in Optimized Code .....</b>                                             | <b>52</b> |
| <b>3.6 Automatic Inline Expansion (--auto_inline Option) .....</b>                                             | <b>53</b> |
| <b>3.7 Using the Interlist Feature With Optimization .....</b>                                                 | <b>53</b> |
| <b>3.8 Debugging Optimized Code.....</b>                                                                       | <b>55</b> |
| <b>3.9 What Kind of Optimization Is Being Performed? .....</b>                                                 | <b>55</b> |

### 3.1 Invoking Optimization

The C/C++ compiler is able to perform various optimizations. High-level optimizations are performed in the optimizer and low-level, target-specific optimizations occur in the code generator. Use high-level optimizations to achieve optimal code.

The easiest way to invoke optimization is to use the compiler program, specifying the `--opt_level=n` option on the compiler command line. You can use `-On` to alias the `--opt_level` option. The *n* denotes the level of optimization (0, 1, 2, and 3), which controls the type and degree of optimization.

- **`--opt_level=0` or `-O0`**

- Performs control-flow-graph simplification
- Allocates variables to registers
- Performs loop rotation
- Eliminates unused code
- Simplifies expressions and statements
- Expands calls to functions declared inline

- **`--opt_level=1` or `-O1`**

Performs all `--opt_level=0` (`-O0`) optimizations, plus:

- Performs local copy/constant propagation
- Removes unused assignments
- Eliminates local common expressions

- **`--opt_level=2` or `-O2`**

Performs all `--opt_level=1` (`-O1`) optimizations, plus:

- Performs loop optimizations
- Eliminates global common subexpressions
- Eliminates global unused assignments
- Performs loop unrolling

The optimizer uses `--opt_level=2` (`-O2`) as the default if you use `--opt_level` (`-O`) without an optimization level.

- **`--opt_level=3` or `-O3`**

Performs all `--opt_level=2` (`-O2`) optimizations, plus:

- Removes all functions that are never called
- Simplifies functions with return values that are never used
- Inlines calls to small functions
- Reorders function declarations; the called functions attributes are known when the caller is optimized
- Propagates arguments into function bodies when all calls pass the same value in the same argument position
- Identifies file-level variable characteristics

If you use `--opt_level=3` (`-O3`), see [Section 3.2](#) and [Section 3.3](#) for more information.

The levels of optimizations described above are performed by the stand-alone optimization pass. The code generator performs several additional optimizations, particularly processor-specific optimizations. It does so regardless of whether you invoke the optimizer. These optimizations are always enabled, although they are more effective when the optimizer is used.



## 3.2 Performing File-Level Optimization (--opt\_level=3 option)

The `--opt_level=3` option (aliased as the `-O3` option) instructs the compiler to perform file-level optimization. You can use the `--opt_level=3` option alone to perform general file-level optimization, or you can combine it with other options to perform more specific optimizations. The options listed in [Table 3-1](#) work with `--opt_level=3` to perform the indicated optimization:

**Table 3-1. Options That You Can Use With `--opt_level=3`**

| If You ...                                           | Use this Option                                                              | See                           |
|------------------------------------------------------|------------------------------------------------------------------------------|-------------------------------|
| Have files that redeclare standard library functions | <code>--std_lib_func_defined</code><br><code>--std_lib_func_redefined</code> | <a href="#">Section 3.2.1</a> |
| Want to create an optimization information file      | <code>--gen_opt_level=n</code>                                               | <a href="#">Section 3.2.2</a> |
| Want to compile multiple source files                | <code>--program_level_compile</code>                                         | <a href="#">Section 3.3</a>   |

### 3.2.1 Controlling File-Level Optimization (--std\_lib\_func\_def Options)

When you invoke the compiler with the `--opt_level=3` option, some of the optimizations use known properties of the standard library functions. If your file redeclares any of these standard library functions, these optimizations become ineffective. Use [Table 3-2](#) to select the appropriate file-level optimization option.

**Table 3-2. Selecting a File-Level Optimization Option**

| If Your Source File...                                                                                                                                                                                                                                                                           | Use this Option                         |
|--------------------------------------------------------------------------------------------------------------------------------------------------------------------------------------------------------------------------------------------------------------------------------------------------|-----------------------------------------|
| Declares a function with the same name as a standard library function                                                                                                                                                                                                                            | <code>--std_lib_func_redefined</code>   |
| Contains but does not alter functions declared in the standard library                                                                                                                                                                                                                           | <code>--std_lib_func_defined</code>     |
| Does not alter standard library functions, but you used the <code>--std_lib_func_redefined</code> or <code>--std_lib_func_defined</code> option in a command file or an environment variable. The <code>--std_lib_func_not_defined</code> option restores the default behavior of the optimizer. | <code>--std_lib_func_not_defined</code> |

### 3.2.2 Creating an Optimization Information File (--gen\_opt\_info Option)

When you invoke the compiler with the `--opt_level=3` option, you can use the `--gen_opt_info` option to create an optimization information file that you can read. The number following the option denotes the level (0, 1, or 2). The resulting file has an `.nfo` extension. Use [Table 3-3](#) to select the appropriate level to append to the option.

**Table 3-3. Selecting a Level for the `--gen_opt_info` Option**

| If you...                                                                                                                                                                                                                                                                    | Use this option                |
|------------------------------------------------------------------------------------------------------------------------------------------------------------------------------------------------------------------------------------------------------------------------------|--------------------------------|
| Do not want to produce an information file, but you used the <code>--gen_opt_level=1</code> or <code>--gen_opt_level=2</code> option in a command file or an environment variable. The <code>--gen_opt_level=0</code> option restores the default behavior of the optimizer. | <code>--gen_opt_level=0</code> |
| Want to produce an optimization information file                                                                                                                                                                                                                             | <code>--gen_opt_level=1</code> |
| Want to produce a verbose optimization information file                                                                                                                                                                                                                      | <code>--gen_opt_level=2</code> |

### 3.3 Performing Program-Level Optimization (`--program_level_compile` and `--opt_level=3` options)

You can specify program-level optimization by using the `--program_level_compile` option with the `--opt_level=3` option (aliased as `-O3`). With program-level optimization, all of your source files are compiled into one intermediate file called a *module*. The module moves to the optimization and code generation passes of the compiler. Because the compiler can see the entire program, it performs several optimizations that are rarely applied during file-level optimization:

- If a particular argument in a function always has the same value, the compiler replaces the argument with the value and passes the value instead of the argument.
- If a return value of a function is never used, the compiler deletes the return code in the function.
- If a function is not called directly or indirectly by `main()`, the compiler removes the function.

To see which program-level optimizations the compiler is applying, use the `--gen_opt_level=2` option to generate an information file. See [Section 3.2.2](#) for more information.

In Code Composer Studio, when the `--program_level_compile` option is used, C and C++ files that have the same options are compiled together. However, if any file has a file-specific option that is not selected as a project-wide option, that file is compiled separately. For example, if every C and C++ file in your project has a different set of file-specific options, each is compiled separately, even though program-level optimization has been specified. To compile all C and C++ files together, make sure the files do not have file-specific options. Be aware that compiling C and C++ files together may not be safe if previously you used a file-specific option.

---

**Note: Compiling Files With the `--program_level_compile` and `--keep_asm` Options**

If you compile all files with the `--program_level_compile` and `--keep_asm` options, the compiler produces only one `.asm` file, not one for each corresponding source file.

---

#### 3.3.1 Controlling Program-Level Optimization (`--call_assumptions` Option)

You can control program-level optimization, which you invoke with `--program_level_compile --opt_level=3`, by using the `--call_assumptions` option. Specifically, the `--call_assumptions` option indicates if functions in other modules can call a module's external functions or modify a module's external variables. The number following `--call_assumptions` indicates the level you set for the module that you are allowing to be called or modified. The `--opt_level=3` option combines this information with its own file-level analysis to decide whether to treat this module's external function and variable declarations as if they had been declared static. Use [Table 3-4](#) to select the appropriate level to append to the `--call_assumptions` option.

**Table 3-4. Selecting a Level for the `--call_assumptions` Option**

| If Your Module ...                                                                                                     | Use this Option                   |
|------------------------------------------------------------------------------------------------------------------------|-----------------------------------|
| Has functions that are called from other modules and global variables that are modified in other modules               | <code>--call_assumptions=0</code> |
| Does not have functions that are called by other modules but has global variables that are modified in other modules   | <code>--call_assumptions=1</code> |
| Does not have functions that are called by other modules or global variables that are modified in other modules        | <code>--call_assumptions=2</code> |
| Has functions that are called from other modules but does not have global variables that are modified in other modules | <code>--call_assumptions=3</code> |

In certain circumstances, the compiler reverts to a different `--call_assumptions` level from the one you specified, or it might disable program-level optimization altogether. [Table 3-5](#) lists the combinations of `--call_assumptions` levels and conditions that cause the compiler to revert to other `--call_assumptions` levels.

**Table 3-5. Special Considerations When Using the --call\_assumptions Option**

| If Your Option is...                         | Under these Conditions...                                                                                     | Then the --call_assumptions Level...                 |
|----------------------------------------------|---------------------------------------------------------------------------------------------------------------|------------------------------------------------------|
| Not specified                                | The --opt_level=3 optimization level was specified                                                            | Defaults to --call_assumptions=2                     |
| Not specified                                | The compiler sees calls to outside functions under the --opt_level=3 optimization level                       | Reverts to --call_assumptions=0                      |
| Not specified                                | Main is not defined                                                                                           | Reverts to --call_assumptions=0                      |
| --call_assumptions=1 or --call_assumptions=2 | No function has main defined as an entry point and functions are not identified by the FUNC_EXT_CALLED pragma | Reverts to --call_assumptions=0                      |
| --call_assumptions=1 or --call_assumptions=2 | No interrupt function is defined                                                                              | Reverts to --call_assumptions=0                      |
| --call_assumptions=1 or --call_assumptions=2 | Functions are identified by the FUNC_EXT_CALLED pragma                                                        | Remains --call_assumptions=1 or --call_assumptions=2 |
| --call_assumptions=3                         | Any condition                                                                                                 | Remains --call_assumptions=3                         |

In some situations when you use --program\_level\_compile and --opt\_level=3, you *must* use a --call\_assumptions option or the FUNC\_EXT\_CALLED pragma. See [Section 3.3.2](#) for information about these situations.

### 3.3.2 Optimization Considerations When Mixing C/C++ and Assembly

If you have any assembly functions in your program, you need to exercise caution when using the --program\_level\_compile option. The compiler recognizes only the C/C++ source code and not any assembly code that might be present. Because the compiler does not recognize the assembly code calls and variable modifications to C/C++ functions, the --program\_level\_compile option optimizes out those C/C++ functions. To keep these functions, place the FUNC\_EXT\_CALLED pragma (see [Section 5.8.6](#)) before any declaration or reference to a function that you want to keep.

Another approach you can take when you use assembly functions in your program is to use the --call\_assumptions=*n* option with the --program\_level\_compile and --opt\_level=3 options (see [Section 3.3.1](#)).

In general, you achieve the best results through judicious use of the FUNC\_EXT\_CALLED pragma in combination with --program\_level\_compile --opt\_level=3 and --call\_assumptions=1 or --call\_assumptions=2.

If any of the following situations apply to your application, use the suggested solution:

**Situation**— Your application consists of C/C++ source code that calls assembly functions. Those assembly functions do not call any C/C++ functions or modify any C/C++ variables.

**Solution** — Compile with --program\_level\_compile --opt\_level=3 --call\_assumptions=2 to tell the compiler that outside functions do not call C/C++ functions or modify C/C++ variables. See [Section 3.3.1](#) for information about the --call\_assumptions=2 option.

If you compile with the --program\_level\_compile --opt\_level=3 options only, the compiler reverts from the default optimization level (--call\_assumptions=2) to --call\_assumptions=0. The compiler uses --call\_assumptions=0, because it presumes that the calls to the assembly language functions that have a definition in C/C++ may call other C/C++ functions or modify C/C++ variables.

**Situation**— Your application consists of C/C++ source code that calls assembly functions. The assembly language functions do not call C/C++ functions, but they modify C/C++ variables.

**Solution**— Try both of these solutions and choose the one that works best with your code:

- Compile with --program\_level\_compile --opt\_level=3 --call\_assumptions=1.
- Add the volatile keyword to those variables that may be modified by the assembly functions and compile with --program\_level\_compile --opt\_level=3 --call\_assumptions=2.

See [Section 3.3.1](#) for information about the --call\_assumptions=*n* option.

**Situation**— Your application consists of C/C++ source code and assembly source code. The assembly functions are interrupt service routines that call C/C++ functions; the C/C++ functions that the assembly functions call are never called from C/C++. These C/C++ functions act like main: they function as entry points into C/C++.

**Solution**— Add the volatile keyword to the C/C++ variables that may be modified by the interrupts. Then, you can optimize your code in one of these ways:

- You achieve the best optimization by applying the `FUNC_EXT_CALLED` pragma to all of the entry-point functions called from the assembly language interrupts, and then compiling with `--program_level_compile --opt_level=3 --call_assumptions=2`. *Be sure that you use the pragma with all of the entry-point functions.* If you do not, the compiler might remove the entry-point functions that are not preceded by the `FUNC_EXT_CALLED` pragma.
- Compile with `--program_level_compile --opt_level=3 --call_assumptions=3`. Because you do not use the `FUNC_EXT_CALLED` pragma, you must use the `--call_assumptions=3` option, which is less aggressive than the `--call_assumptions=2` option, and your optimization may not be as effective.

Keep in mind that if you use `--program_level_compile --opt_level=3` without additional options, the compiler removes the C functions that the assembly functions call. Use the `FUNC_EXT_CALLED` pragma to keep these functions.

### 3.4 Accessing Aliased Variables in Optimized Code

Aliasing occurs when a single object can be accessed in more than one way, such as when two pointers point to the same object or when a pointer points to a named object. Aliasing can disrupt optimization because any indirect reference can refer to another object. The optimizer analyzes the code to determine where aliasing can and cannot occur, then optimizes as much as possible while still preserving the correctness of the program. The optimizer behaves conservatively. If there is a chance that two pointers are pointing to the same object, then the optimizer assumes that the pointers do point to the same object.

The compiler assumes that if the address of a local variable is passed to a function, the function changes the local variable by writing through the pointer. This makes the local variable's address unavailable for use elsewhere after returning. For example, the called function cannot assign the local variable's address to a global variable or return the local variable's address. In cases where this assumption is invalid, use the `--aliased_variables` compiler option to force the compiler to assume worst-case aliasing. In worst-case aliasing, any indirect reference can refer to such a variable.

### 3.5 Use Caution With asm Statements in Optimized Code

You must be extremely careful when using `asm` (inline assembly) statements in optimized code. The compiler rearranges code segments, uses registers freely, and can completely remove variables or expressions. Although the compiler never optimizes out an `asm` statement (except when it is unreachable), the surrounding environment where the assembly code is inserted can differ significantly from the original C/C++ source code.

It is usually safe to use `asm` statements to manipulate hardware controls such as interrupt masks, but `asm` statements that attempt to interface with the C/C++ environment or access C/C++ variables can have unexpected results. After compilation, check the assembly output to make sure your `asm` statements are correct and maintain the integrity of the program.

### 3.6 Automatic Inline Expansion (--auto\_inline Option)

When optimizing with the `--opt_level=3` option (aliased as `-O3`), the compiler automatically inlines small functions. A command-line option, `--auto_inline=size`, specifies the size threshold. Any function larger than the size threshold is not automatically inlined. You can use the `--auto_inline=size` option in the following ways:

- If you set the `size` parameter to 0 (`--auto_inline=0`), automatic inline expansion is disabled.
- If you set the `size` parameter to a nonzero integer, the compiler uses this size threshold as a limit to the size of the functions it automatically inlines. The compiler multiplies the number of times the function is inlined (plus 1 if the function is externally visible and its declaration cannot be safely removed) by the size of the function.

The compiler inlines the function only if the result is less than the size parameter. The compiler measures the size of a function in arbitrary units; however, the optimizer information file (created with the `--gen_opt_level=1` or `--gen_opt_level=2` option) reports the size of each function in the same units that the `--auto_inline` option uses.

The `--auto_inline=size` option controls only the inlining of functions that are not explicitly declared as inline. If you do not use the `--auto_inline=size` option, the compiler inlines very small functions.

---

**Note: Optimization Level 3 and Inlining**

In order to turn on automatic inlining, you must use the `--opt_level=3` option. The `--opt_level=3` option turns on other optimizations. If you desire the `--opt_level=3` optimizations, but not automatic inlining, use `--auto_inline=0` with the `--opt_level=3` option.

---



---

**Note: Inlining and Code Size**

Expanding functions inline increases code size, especially inlining a function that is called in a number of places. Function inlining is optimal for functions that are called only from a small number of places and for small functions. In order to prevent increases in code size because of inlining, use the `--auto_inline=0` and `--no_inlining` options. These options, used together, cause the compiler to inline intrinsics only.

---

### 3.7 Using the Interlist Feature With Optimization

You control the output of the interlist feature when compiling with optimization (the `--opt_level=n` or `-On` option) with the `--optimizer_interlist` and `--c_src_interlist` options.

- The `--optimizer_interlist` option interlists compiler comments with assembly source statements.
- The `--c_src_interlist` and `--optimizer_interlist` options together interlist the compiler comments and the original C/C++ source with the assembly code.

When you use the `--optimizer_interlist` option with optimization, the interlist feature does *not* run as a separate pass. Instead, the compiler inserts comments into the code, indicating how the compiler has rearranged and optimized the code. These comments appear in the assembly language file as comments starting with `;`. The C/C++ source code is not interlisted, unless you use the `--c_src_interlist` option also.

The interlist feature can affect optimized code because it might prevent some optimization from crossing C/C++ statement boundaries. Optimization makes normal source interlisting impractical, because the compiler extensively rearranges your program. Therefore, when you use the `--optimizer_interlist` option, the compiler writes reconstructed C/C++ statements.

[Example 3-1](#) shows a function that has been compiled with optimization (`--opt_level=2`) and the `--optimizer_interlist` option. The assembly file contains compiler comments interlisted with assembly code.

---

**Note: Impact on Performance and Code Size**

The `--c_src_interlist` option can have a negative effect on performance and code size.

---

When you use the `--c_src_interlist` and `--optimizer_interlist` options with optimization, the compiler inserts its comments and the interlist feature runs before the assembler, merging the original C/C++ source into the assembly file.

[Example 3-2](#) shows the function from [Example 3-1](#) compiled with the optimization (`--opt_level=2`) and the `--c_src_interlist` and `--optimizer_interlist` options. The assembly file contains compiler comments and C source interlisted with assembly code.

**Example 3-1. The Function From [Example 2-1](#) Compiled with the `--opt_level=2` and `--optimizer_interlist` Options**

```

main:
;* -----*
SUB.W #2,SP
; ** 5 ----- printf((const unsigned char *)"Hello, world\n");
MOV.W #CSSL1+0,0(SP) ; |5|
CALL #printf ; |5|
; ** 6 ----- return 0;
MOV.W #0,r12 ; |6|
ADD.W #2,SP
RET

```

**Example 3-2. The Function From [Example 2-1](#) Compiled with the `--opt_level=2`, `--optimizer_interlist`, and `--c_src_interlist` Options**

```

main:
;* -----*
SUB.W #2,SP
; ** 5 ----- printf((const unsigned char *)"Hello, world\n");
;-----
; 5 | printf ("Hello, world\n");
;-----
MOV.W #CSSL1+0,0(SP) ; |5|
CALL #printf ; |5|
; ** 6 ----- return 0;
;-----
; 6 | return 0;
;-----
MOV.W #0,r12 ; |6|
ADD.W #2,SP
RET

```

### 3.8 Debugging Optimized Code

Debugging fully optimized code is not recommended, because the compiler's extensive rearrangement of code and the many-to-many allocation of variables to registers often make it difficult to correlate source code with object code. Profiling code that has been built with the `--symdebug:dwarf` (aliased as `-g`) option or the `--symdebug:coff` option (STABS debug) is not recommended as well, because these options can significantly degrade performance. To remedy these problems, you can use the options described below to optimize your code in such a way that you can still debug or profile the code.

To debug optimized code, use the `--opt_level` option (aliased as `-O`) in conjunction with one of the symbolic debugging options (`--symdebug:dwarf` or `--symdebug:coff`). The symbolic debugging options generate directives that are used by the C/C++ source-level debugger, but they disable many compiler optimizations. When you use the `--opt_level` option (which invokes optimization) with the `--symdebug:dwarf` or `--symdebug:coff` option, you turn on the maximum amount of optimization that is compatible with debugging.

If you want to use symbolic debugging and still generate fully optimized code, use the `--optimize_with_debug` option. This option reenables the optimizations disabled by `--symdebug:dwarf` or `--symdebug:coff`. However, if you use the `--optimize_with_debug` option, portions of the debugger's functionality will be unreliable.

---

**Note: Symbolic Debugging Options Affect Performance and Code Size**

Using the `--symdebug:dwarf` or `--symdebug:coff` option can cause a significant performance and code size degradation of your code. Use these options for debugging only. Using `--symdebug:dwarf` or `--symdebug:coff` when profiling is not recommended.

---

### 3.9 What Kind of Optimization Is Being Performed?

The MSP430 C/C++ compiler uses a variety of optimization techniques to improve the execution speed of your C/C++ programs and to reduce their size. See [Section 2.11](#) for more information.

Following are some of the optimizations performed by the compiler:

| Optimization                                                                                                                                                                         | See                            |
|--------------------------------------------------------------------------------------------------------------------------------------------------------------------------------------|--------------------------------|
| Cost-based register allocation                                                                                                                                                       | <a href="#">Section 3.9.1</a>  |
| Alias disambiguation                                                                                                                                                                 | <a href="#">Section 3.9.1</a>  |
| Branch optimizations and control-flow simplification                                                                                                                                 | <a href="#">Section 3.9.3</a>  |
| Data flow optimizations <ul style="list-style-type: none"> <li>• Copy propagation</li> <li>• Common subexpression elimination</li> <li>• Redundant assignment elimination</li> </ul> | <a href="#">Section 3.9.4</a>  |
| Expression simplification                                                                                                                                                            | <a href="#">Section 3.9.5</a>  |
| Inline expansion of functions                                                                                                                                                        | <a href="#">Section 3.9.6</a>  |
| Induction variable optimizations and strength reduction                                                                                                                              | <a href="#">Section 3.9.7</a>  |
| Loop-invariant code motion                                                                                                                                                           | <a href="#">Section 3.9.8</a>  |
| Loop rotation                                                                                                                                                                        | <a href="#">Section 3.9.9</a>  |
| Instruction scheduling                                                                                                                                                               | <a href="#">Section 3.9.10</a> |
| <hr/>                                                                                                                                                                                |                                |
| MSP430-Specific Optimization                                                                                                                                                         | See                            |
| Tail merging                                                                                                                                                                         | <a href="#">Section 3.9.12</a> |
| Integer division with constant divisor                                                                                                                                               | <a href="#">Section 3.9.11</a> |
| <code>_never_executed()</code> intrinsic                                                                                                                                             | <a href="#">Section 3.9.13</a> |

### 3.9.1 Cost-Based Register Allocation

The compiler, when optimization is enabled, allocates registers to user variables and compiler temporary values according to their type, use, and frequency. Variables used within loops are weighted to have priority over others, and those variables whose uses do not overlap can be allocated to the same register.

Induction variable elimination and loop test replacement allow the compiler to recognize the loop as a simple counting loop and software pipeline, unroll, or eliminate the loop. Strength reduction turns the array references into efficient pointer references with autoincrements.

### 3.9.2 Alias Disambiguation

C and C++ programs generally use many pointer variables. Frequently, compilers are unable to determine whether or not two or more l values (lowercase L: symbols, pointer references, or structure references) refer to the same memory location. This aliasing of memory locations often prevents the compiler from retaining values in registers because it cannot be sure that the register and memory continue to hold the same values over time.

Alias disambiguation is a technique that determines when two pointer expressions cannot point to the same location, allowing the compiler to freely optimize such expressions.

### 3.9.3 Branch Optimizations and Control-Flow Simplification

The compiler analyzes the branching behavior of a program and rearranges the linear sequences of operations (basic blocks) to remove branches or redundant conditions. Unreachable code is deleted, branches to branches are bypassed, and conditional branches over unconditional branches are simplified to a single conditional branch.

When the value of a condition is determined at compile time (through copy propagation or other data flow analysis), the compiler can delete a conditional branch. Switch case lists are analyzed in the same way as conditional branches and are sometimes eliminated entirely. Some simple control flow constructs are reduced to conditional instructions, totally eliminating the need for branches.

### 3.9.4 Data Flow Optimizations

Collectively, the following data flow optimizations replace expressions with less costly ones, detect and remove unnecessary assignments, and avoid operations that produce values that are already computed. The compiler with optimization enabled performs these data flow optimizations both locally (within basic blocks) and globally (across entire functions).

- **Copy propagation.** Following an assignment to a variable, the compiler replaces references to the variable with its value. The value can be another variable, a constant, or a common subexpression. This can result in increased opportunities for constant folding, common subexpression elimination, or even total elimination of the variable.
- **Common subexpression elimination.** When two or more expressions produce the same value, the compiler computes the value once, saves it, and reuses it.
- **Redundant assignment elimination.** Often, copy propagation and common subexpression elimination optimizations result in unnecessary assignments to variables (variables with no subsequent reference before another assignment or before the end of the function). The compiler removes these dead assignments.

### 3.9.5 Expression Simplification

For optimal evaluation, the compiler simplifies expressions into equivalent forms, requiring fewer instructions or registers. Operations between constants are folded into single constants. For example,  $a = (b + 4) - (c + 1)$  becomes  $a = b - c + 3$ .



### 3.9.6 *Inline Expansion of Functions*

The compiler replaces calls to small functions with inline code, saving the overhead associated with a function call as well as providing increased opportunities to apply other optimizations.

### 3.9.7 *Induction Variables and Strength Reduction*

Induction variables are variables whose value within a loop is directly related to the number of executions of the loop. Array indices and control variables for loops are often induction variables.

Strength reduction is the process of replacing inefficient expressions involving induction variables with more efficient expressions. For example, code that indexes into a sequence of array elements is replaced with code that increments a pointer through the array.

Induction variable analysis and strength reduction together often remove all references to your loop-control variable, allowing its elimination.

### 3.9.8 *Loop-Invariant Code Motion*

This optimization identifies expressions within loops that always compute to the same value. The computation is moved in front of the loop, and each occurrence of the expression in the loop is replaced by a reference to the precomputed value.

### 3.9.9 *Loop Rotation*

The compiler evaluates loop conditionals at the bottom of loops, saving an extra branch out of the loop. In many cases, the initial entry conditional check and the branch are optimized out.

### 3.9.10 *Instruction Scheduling*

The compiler performs instruction scheduling, which is the rearranging of machine instructions in such a way that improves performance while maintaining the semantics of the original order. Instruction scheduling is used to improve instruction parallelism and hide pipeline latencies. It can also be used to reduce code size.

### 3.9.11 *Integer Division With Constant Divisor*

The optimizer attempts to rewrite integer divide operations with constant divisors. The integer divides are rewritten as a multiply with the reciprocal of the divisor. This occurs at optimization level 2 (`--opt_level=2` or `-O2`) and higher. You must also compile with the `--opt_for_speed` option, which selects compile for speed.

### 3.9.12 *Tail Merging*

If you are optimizing for code size, tail merging can be very effective for some functions. Tail merging finds basic blocks that end in an identical sequence of instructions and have a common destination. If such a set of blocks is found, the sequence of identical instructions is made into its own block. These instructions are then removed from the set of blocks and replaced with branches to the newly created block. Thus, there is only one copy of the sequence of instructions, rather than one for each block in the set.

### 3.9.13 *\_never\_executed Intrinsic*

The `_never_executed()` intrinsic can be used to assert to the compiler that a switch expression can only take on values represented by the case labels within a switch block. This assertion enables the compiler to avoid generating test code for handling values not specified by the switch case labels. This assertion is specifically suited for handling values that characterize a vector generator. See [Section 6.8.3](#) for details on the `_never_executed()` intrinsic.



## Linking C/C++ Code

---

---

---

The C/C++ compiler and assembly language tools provide two methods for linking your programs:

- You can compile individual modules and link them together. This method is especially useful when you have multiple source files.
- You can compile and link in one step. This method is useful when you have a single source module.

This chapter describes how to invoke the linker with each method. It also discusses special requirements of linking C/C++ code, including the run-time-support libraries, specifying the type of initialization, and allocating the program into memory. For a complete description of the linker, see the *MSP430 Assembly Language Tools User's Guide*.

| Topic                                                                 | Page      |
|-----------------------------------------------------------------------|-----------|
| <b>4.1 Invoking the Linker Through the Compiler (-z Option) .....</b> | <b>60</b> |
| <b>4.2 Linker Options .....</b>                                       | <b>62</b> |
| <b>4.3 Linker Code Optimizations .....</b>                            | <b>65</b> |
| <b>4.4 Controlling the Linking Process.....</b>                       | <b>66</b> |

## 4.1 Invoking the Linker Through the Compiler (-z Option)

This section explains how to invoke the linker after you have compiled and assembled your programs: as a separate step or as part of the compile step.

### 4.1.1 Invoking the Linker Separately

This is the general syntax for linking C/C++ programs as a separate step:

```
cl430 --run_linker {--rom_model | --ram_model} filenames [options]
 [--output_file=name.out] --library=library [lnk.cmd]
```

|                                  |                                                                                                                                                                                                                                                                                                                                                                                                                                                                                                |
|----------------------------------|------------------------------------------------------------------------------------------------------------------------------------------------------------------------------------------------------------------------------------------------------------------------------------------------------------------------------------------------------------------------------------------------------------------------------------------------------------------------------------------------|
| <b>cl430 --run_linker</b>        | The command that invokes the linker.                                                                                                                                                                                                                                                                                                                                                                                                                                                           |
| <b>--rom_model   --ram_model</b> | Options that tell the linker to use special conventions defined by the C/C++ environment. When you use <b>cl430 --run_linker</b> , you must use <b>--rom_model</b> or <b>--ram_model</b> . The <b>--rom_model</b> option uses automatic variable initialization at run time; the <b>--ram_model</b> option uses variable initialization at load time.                                                                                                                                          |
| <i>filenames</i>                 | Names of object files, linker command files, or archive libraries. The default extension for all input files is <i>.obj</i> ; any other extension must be explicitly specified. The linker can determine whether the input file is an object or ASCII file that contains linker commands. The default output filename is <i>a.out</i> , unless you use the <b>--output_file</b> option to name the output file.                                                                                |
| <i>options</i>                   | Options affect how the linker handles your object files. Linker options can only appear after the <b>--run_linker</b> option on the command line, but otherwise may be in any order. (Options are discussed in <a href="#">Section 4.2.</a> )                                                                                                                                                                                                                                                  |
| <b>--output_file= name.out</b>   | Names the output file.                                                                                                                                                                                                                                                                                                                                                                                                                                                                         |
| <b>--library= library</b>        | Identifies the appropriate archive library containing C/C++ run-time-support and floating-point math functions, or linker command files. If you are linking C/C++ code, you must use a run-time-support library. You can use the libraries included with the compiler, or you can create your own run-time-support library. If you have specified a run-time-support library in a linker command file, you do not need this parameter. The <b>--library</b> option's short form is <b>-l</b> . |
| <i>lnk.cmd</i>                   | Contains options, filenames, directives, or commands for the linker.                                                                                                                                                                                                                                                                                                                                                                                                                           |

When you specify a library as linker input, the linker includes and links only those library members that resolve undefined references. The linker uses a default allocation algorithm to allocate your program into memory. You can use the MEMORY and SECTIONS directives in the linker command file to customize the allocation process. For information, see the *MSP430 Assembly Language Tools User's Guide*.

You can link a C/C++ program consisting of modules prog1.obj, prog2.obj, and prog3.obj, with an executable filename of prog.out with the command:

```
cl430 --run_linker --rom_model prog1 prog2 prog3 --output_file=prog.out
 --library=rts430.lib
```

### 4.1.2 Invoking the Linker as Part of the Compile Step

This is the general syntax for linking C/C++ programs as part of the compile step:

```
cl430 filenames [options] --run_linker {--rom_model | --ram_model} filenames
[options] [--output_file=name.out] --library=library [Ink.cmd]
```

The `--run_linker` option divides the command line into the compiler options (the options before `--run_linker`) and the linker options (the options following `--run_linker`). The `--run_linker` option must follow all source files and compiler options on the command line.

All arguments that follow `--run_linker` on the command line are passed to the linker. These arguments can be linker command files, additional object files, linker options, or libraries. These arguments are the same as described in [Section 4.1.1](#).

All arguments that precede `--run_linker` on the command line are compiler arguments. These arguments can be C/C++ source files, assembly files, or compiler options. These arguments are described in [Section 2.2](#).

You can compile and link a C/C++ program consisting of modules `prog1.c`, `prog2.c`, and `prog3.c`, with an executable filename of `prog.out` with the command:

```
cl430 prog1.c prog2.c prog3.c --run_linker --rom_model --output_file=prog.out --library=rts430.lib
```

---

**Note: Order of Processing Arguments in the Linker**

The order in which the linker processes arguments is important. The compiler passes arguments to the linker in the following order:

1. Object filenames from the command line
  2. Arguments following the `--run_linker` option on the command line
  3. Arguments following the `--run_linker` option from the `MSP430_C_OPTION` environment variable
- 

### 4.1.3 Disabling the Linker (--compile\_only Compiler Option)

You can override the `--run_linker` option by using the `--compile_only` compiler option. The `--run_linker` option's short form is `-z` and the `--compile_only` option's short form is `-c`.

The `--compile_only` option is especially helpful if you specify the `--run_linker` option in the `MSP430_C_OPTION` environment variable and want to selectively disable linking with the `--compile_only` option on the command line.

## 4.2 Linker Options

All command-line input following the `--run_linker` option (aliased as `-z`) is passed to the linker as parameters and options. Following are the options that control the linker, along with detailed descriptions of their effects.

|                                    |                                                                                                                                                                                                                                                                                                   |
|------------------------------------|---------------------------------------------------------------------------------------------------------------------------------------------------------------------------------------------------------------------------------------------------------------------------------------------------|
| <b>--absolute_exe</b>              | Produces an absolute, executable module. This is the default; if neither <code>--absolute_exe</code> nor <code>--relocatable</code> is specified, the linker acts as if <code>--absolute_exe</code> is specified.                                                                                 |
| <b>-ar</b>                         | Produces a relocatable, executable object module. The output module contains the special linker symbols, an optional header, and all symbol references. The relocation information is retained.                                                                                                   |
| <b>--arg_size=size</b>             | Allocates memory to be used by the loader to pass arguments from the command line of the loader to the program. The linker allocates <i>size</i> bytes in an uninitialized <code>.args</code> section. The <code>__c_args__</code> symbol contains the address of the <code>.args</code> section. |
| <b>--compress_dwarf</b>            | Aggressively reduces the size of DWARF information from input object files                                                                                                                                                                                                                        |
| <b>--define=name[=val]</b>         | Predefines <i>name</i> as a preprocessor macro. This option is distinct from the compiler <code>--define</code> option.                                                                                                                                                                           |
| <b>--diag_error=num</b>            | Categorizes the diagnostic identified by <i>num</i> as an error. See <a href="#">Section 2.7.1</a> for details.                                                                                                                                                                                   |
| <b>--diag_remark=num</b>           | Categorizes the diagnostic identified by <i>num</i> as a remark. See <a href="#">Section 2.7.1</a> for details.                                                                                                                                                                                   |
| <b>--diag_suppress=num</b>         | Suppresses the diagnostic identified by <i>num</i> . See <a href="#">Section 2.7.1</a> for details.                                                                                                                                                                                               |
| <b>--diag_warning=num</b>          | Categorizes the diagnostic identified by <i>num</i> as a warning. See <a href="#">Section 2.7.1</a> for details.                                                                                                                                                                                  |
| <b>--disable_auto_rts</b>          | Disables the automatic selection of a run-time-support library. See <a href="#">Section 4.4.1.2</a> for more information.                                                                                                                                                                         |
| <b>--disable_clink</b>             | Disables conditional linking that has been set up with the assembler <code>.clink</code> directive for COFF object files. By default, all sections are unconditionally linked.                                                                                                                    |
| <b>--disable_pp</b>                | Disables preprocessing for command files. By default, the linker now preprocesses link command files using a standard C preprocessor.                                                                                                                                                             |
| <b>--display_error_number=num</b>  | Displays a diagnostic's identifiers along with its text. See <a href="#">Section 4.4.1.2</a> for more information.                                                                                                                                                                                |
| <b>--entry_point=global_symbol</b> | Defines a <i>global_symbol</i> that specifies the primary entry point for the output module                                                                                                                                                                                                       |
| <b>--fill_value=value</b>          | Sets the default fill value for null areas within output sections; <i>value</i> is a 16-bit constant                                                                                                                                                                                              |
| <b>--generate_dead_funcs_list</b>  | Writes a list of the dead functions that were removed by the linker to file <i>fname</i> for object files                                                                                                                                                                                         |
| <b>--heap_size=size</b>            | Sets the heap size (for dynamic memory allocation) to <i>size</i> bytes and defines a global symbol that specifies the heap size. The default is 128 bytes.                                                                                                                                       |
| <b>--issue_remarks</b>             | Issues remarks (nonserious warnings). See <a href="#">Section 4.4.1.2</a> for more information.                                                                                                                                                                                                   |

|                                                             |                                                                                                                                                                                                                                                                                                                                 |
|-------------------------------------------------------------|---------------------------------------------------------------------------------------------------------------------------------------------------------------------------------------------------------------------------------------------------------------------------------------------------------------------------------|
| <b>--library=</b> <i>libraryname</i>                        | Names an archive library file or linker command filename as linker input. The <i>libraryname</i> is an archive library name and must follow operating system conventions. The --library option's short form is -l.                                                                                                              |
| <b>--linker_help</b>                                        | Produces a help listing displaying syntax and available options                                                                                                                                                                                                                                                                 |
| <b>--make_global=</b> <i>global_symbol</i>                  | Defines <i>global_symbol</i> as global even if the global symbol has been made static with the --make_static option                                                                                                                                                                                                             |
| <b>--make_static</b>                                        | Makes all global symbols static; global symbols are essentially hidden. This allows external symbols with the same name (in different files) to be treated as unique.                                                                                                                                                           |
| <b>--map_file=</b> <i>filename</i>                          | Produces a map or listing of the input and output sections, including null areas, and places the listing in <i>filename</i> . The filename must follow operating system conventions.                                                                                                                                            |
| <b>--mapfile_contents=</b> <i>filter</i> [, <i>filter</i> ] | Controls the information that appears in the map file. Enter --mapfile_contents=help on the command line to produce a listing of available options.                                                                                                                                                                             |
| <b>--no_demangle</b>                                        | Disables demangling of symbol names in diagnostics                                                                                                                                                                                                                                                                              |
| <b>--no_sym_merge</b>                                       | Disables merge of symbolic debugging information in COFF object files. The linker keeps the duplicate entries of symbolic debugging information commonly generated when a C program is compiled for debugging. (Deprecated option; use the strip utility described in the <i>MSP430 Assembly Language Tools User's Guide</i> .) |
| <b>--no_sym_table</b>                                       | Creates a smaller output section by stripping symbol table information and line number entries from the output module.                                                                                                                                                                                                          |
| <b>--no_warnings</b>                                        | Suppresses warning diagnostics (errors are still issued). See <a href="#">Section 4.4.1.2</a> for more information.                                                                                                                                                                                                             |
| <b>--output_file=</b> <i>filename</i>                       | Names the executable output module. The <i>filename</i> must follow operating system conventions. If the --output_file option is not used, the default filename is a.out.                                                                                                                                                       |
| <b>--priority</b>                                           | Satisfies each unresolved reference by the first library that contains a definition for that symbol                                                                                                                                                                                                                             |
| <b>--ram_model</b>                                          | Initializes variables at load time. See <a href="#">Section 6.9.7</a> for more information.                                                                                                                                                                                                                                     |
| <b>--relocatable</b>                                        | Retains relocation entries in the output module.                                                                                                                                                                                                                                                                                |
| <b>--reread_libs</b>                                        | Forces rereading of libraries. The linker continues to reread libraries until no more references can be resolved.                                                                                                                                                                                                               |
| <b>--rom_model</b>                                          | Autoinitializes variables at run time. See <a href="#">Section 6.9.6</a> for more information.                                                                                                                                                                                                                                  |
| <b>--run_abs</b>                                            | Produces an absolute listing file.                                                                                                                                                                                                                                                                                              |
| <b>--scan_libraries</b>                                     | Scans all libraries during a link to look for duplicate symbol definitions to those symbols that are actually included in the link.                                                                                                                                                                                             |
| <b>--search_path=</b> <i>directory</i>                      | Alters the library-search algorithm to look in <i>directory</i> before looking in the default location. This option must appear before the --library option. The directory must follow operating system conventions. You can specify up to 128 --search_path options. The --search_path option's short form is -I.              |

|                                             |                                                                                                                                                                                                                                                                                                                     |
|---------------------------------------------|---------------------------------------------------------------------------------------------------------------------------------------------------------------------------------------------------------------------------------------------------------------------------------------------------------------------|
| <b>--set_error_limit=</b> <i>num</i>        | Sets the error limit to <i>num</i> . The linker abandons linking after this number of errors. (The default is 100.) See <a href="#">Section 4.4.1.2</a> for more information.                                                                                                                                       |
| <b>--stack_size=</b> <i>size</i>            | Sets the C/C++ system stack size to <i>size</i> bytes and defines a global symbol that specifies the stack size. The default is 128 bytes.                                                                                                                                                                          |
| <b>--strict_compatibility</b>               | Performs more conservative and rigorous compatibility checking of input object files.                                                                                                                                                                                                                               |
| <b>--symbol_map=</b> <i>refname=defname</i> | Enables symbol mapping, which allows a symbol reference to be resolved by a symbol with a different name.                                                                                                                                                                                                           |
| <b>--undef_sym=</b> <i>symbol</i>           | Places the unresolved external symbol <i>symbol</i> into the output module's symbol table. This forces the linker to search a library and include the member that defines the symbol.                                                                                                                               |
| <b>--undefine=</b> <i>name</i>              | Removes the preprocessor macro <i>name</i> . This option is distinct from the compiler <code>--undefine</code> option.                                                                                                                                                                                              |
| <b>--use_hw_mpy</b> [={16 32 F5}]           | Replaces all references to the default integer/long multiply routine with the version of the multiply routine that uses hardware multiplier support. The optional argument can be 16 for 16-bit hardware multiplier (default); 32 for F4xxx 32-bit hardware multiplier; or F5 for F5xxx 32-bit hardware multiplier. |
| <b>--verbose_diagnostics</b>                | Provides verbose diagnostics that display the original source with line-wrap. See <a href="#">Section 4.4.1.2</a> for more information.                                                                                                                                                                             |
| <b>--warn_sections</b>                      | Displays a message when the linker encounters one or more input sections that do not have a corresponding output section defined in the SECTIONS directive.                                                                                                                                                         |
| <b>--xml_link_info=</b> <i>file</i>         | Generates an XML link information file. This option causes the linker to generate a well-formed XML file containing detailed information about the result of a link. The information included in this file includes all of the information that is currently produced in a linker generated map file.               |

For more information on linker options, see the *MSP430 Assembly Language Tools User's Guide*.



## 4.3 Linker Code Optimizations

These options are used to further optimize your code.

### 4.3.1 Generate List of Dead Functions (*--generate\_dead\_funcs\_list Option*)

In order to facilitate the removal of unused code, the linker generates a feedback file containing a list of functions that are never referenced. The feedback file must be used the next time you compile the source files. The syntax for the `--generate_dead_funcs_list` option is:

**`--generate_dead_funcs_list= filename`**

If *filename* is not specified, a default filename of `dead_funcs.txt` is used.

Proper creation and use of the feedback file entails the following steps:

1. Compile all source files using the `--gen_func_subsections` compiler option. For example:

```
cl430 file1.c file2.c --gen_func_subsections
```

2. During the linker, use the `--generate_dead_funcs_list` option to generate the feedback file based on the generated object files. For example:

```
cl430 --run_linker file1.obj file2.obj
--generate_dead_funcs_list=feedback.txt
```

Alternatively, you can combine steps 1 and 2 into one step. When you do this, you are not required to specify `--gen_func_subsections` when compiling the source files as this is done for you automatically. For example:

```
cl430 file1.c file2.c --run_linker --generate_dead_funcs_list=feedback.txt
```

3. Once you have the feedback file, rebuild the source. Give the feedback file to the compiler using the `--use_dead_funcs_list` option. This option forces each dead function listed in the file into its own subsection. For example:

```
cl430 file1.c file2.c --use_dead_funcs_list=feedback.txt
```

4. Invoke the linker with the newly built object files. The linker removes the subsections. For example:

```
cl430 --run_linker file1.obj file2.obj
```

Alternatively, you can combine steps 3 and 4 into one step. For example:

```
cl430 file1.c file2.c --use_dead_funcs_list=feedback.txt --run_linker
```

---

**Note: Dead Functions Feedback**

The feedback file generated with the `-gen_dead_funcs_list` option is version controlled. It must be generated by the linker in order to be processed correctly by the compiler.

---

### 4.3.2 Generating Function Subsections (*--gen\_func\_subsections Compiler Option*)

When the linker places code into an executable file, it allocates all the functions in a single source file as a group. This means that if any function in a file needs to be linked into an executable, then all the functions in the file are linked in. This can be undesirable if a file contains many functions and only a few are required for an executable.

This situation may exist in libraries where a single file contains multiple functions, but the application only needs a subset of those functions. An example is a library `.obj` file that contains a signed divide routine and an unsigned divide routine. If the application requires only signed division, then only the signed divide routine is required for linking. By default, both the signed and unsigned routines are linked in since they exist in the same `.obj` file.

The `--gen_func_subsections` compiler option remedies this problem by placing each function in a file in its own subsection. Thus, only the functions that are referenced in the application are linked into the final executable. This can result in an overall code size reduction.

In addition to placing each function in a separate subsection, the compiler also annotates that subsection with a conditional linking directive, `.clink`. This directive marks the section as a candidate to be removed if it is not referenced by any other section in the program. The compiler does not place a `.clink` directive in a subsection for a trap or interrupt function, as these may be needed by a program even though there is no symbolic reference to them anywhere in the program.

If a section that has been marked for conditional linking is never referenced by any other section in the program, that section is removed from the program. Conditional linking is disabled when performing a partial link or when relocation information is kept with the output of the link. Conditional linking can also be disabled with the `--disable_clink` link option.

## 4.4 Controlling the Linking Process

Regardless of the method you choose for invoking the linker, special requirements apply when linking C/C++ programs. You must:

- Include the compiler's run-time-support library
- Specify the type of initialization
- Determine how you want to allocate your program into memory

This section discusses how these factors are controlled and provides an example of the standard default linker command file.

For more information about how to operate the linker, see the linker description in the *MSP430 Assembly Language Tools User's Guide*.

### 4.4.1 Including the Run-Time-Support Library

You must include a run-time-support library in the linker process. The following sections describe two methods for including the run-time-support library.

#### 4.4.1.1 Manual Run-Time-Support Library Selection

You must link all C/C++ programs with a run-time-support library. The library contains standard C/C++ functions as well as functions used by the compiler to manage the C/C++ environment. You must use the `--library` linker option to specify which MSP430 run-time-support library to use. The `--library` option also tells the linker to look at the `--search_path` options and then the `MSP430_C_DIR` environment variable to find an archive path or object file. To use the `--library` linker option, type on the command line:

```
cl430 --run_linker {--rom_model | --ram_model} filenames --library=libraryname
```

Generally, you should specify the run-time-support library as the last name on the command line because the linker searches libraries for unresolved references in the order that files are specified on the command line. If any object files follow a library, references from those object files to that library are not resolved. You can use the `--reread_libs` option to force the linker to reread all libraries until references are resolved. Whenever you specify a library as linker input, the linker includes and links only those library members that resolve undefined references.

By default, if a library introduces an unresolved reference and multiple libraries have a definition for it, then the definition from the same library that introduced the unresolved reference is used. Use the `--priority` option if you want the linker to use the definition from the first library on the command line that contains the definition.

#### 4.4.1.2 Automatic Run-Time-Support Library Selection

If the `--rom_model` or `--ram_model` option is specified during the linker and the entry point for the program (normally `_c_int00`) is not resolved by any specified object file or library, the linker attempts to automatically include the best compatible run-time-support library for your program. The chosen run-time-support library is linked in as if it was specified with the `--library` option last on the command line. Alternatively, you can always force the linker to choose an appropriate run-time-support library by specifying `"libc.a"` as an argument to the `--library` option, or when specifying the run-time-support library name explicitly in a linker command file.

The automatic selection of a run-time-support library can be disabled with the `--disable_auto_rts` option.

If the `--issue_remarks` option is specified before the `--run_linker` option during the linker, a remark is generated indicating which run-time support library was linked in. If a different run-time-support library is desired, you must specify the name of the desired run-time-support library using the `--library` option and in your linker command files when necessary.

For example:

```
c1430 --issue_remarks main.c --run_linker --rom_model
<Linking>
remark: linking in "libc.a"
remark: linking in "rts430.lib" in place of "libc.a"
```

#### 4.4.2 Run-Time Initialization

You must link all C/C++ programs with code to initialize and execute the program called a bootstrap routine. The bootstrap routine is responsible for the following tasks:

- Set up the stack
- Process the `.cinit` run-time initialization table to autoinitialize global variables (when using the `--rom_model` option)
- Call all global constructors (`.pinit`) for C++
- Call `main.com`
- Call `exit` when `main` returns

A sample bootstrap routine is `_c_int00`, provided in `boot.obj` in the run-time-support libraries. The entry point is usually set to the starting address of the bootstrap routine.

---

**Note: The `_c_int00` Symbol**

If you use the `--ram_model` or `--rom_model` link option, `_c_int00` is automatically defined as the entry point for the program.

---

#### 4.4.3 Initialization by the Interrupt Vector

If your program begins running from load time, you must set up the reset vector to branch to `_c_int00`. This causes `boot.obj` to be loaded from the library and your program is initialized correctly. The `boot.obj` places the address of `_c_int00` into a section named `.reset`. This section can then be allocated at the reset vector location using the linker.

#### 4.4.4 Global Object Constructors

Global C++ variables that have constructors and destructors require their constructors to be called during program initialization and their destructors to be called during program termination. The C++ compiler produces a table of constructors to be called at startup.

The constructors are invoked in the order that they occur in the table.

Global constructors are called after initialization of other global variables and before `main( )` is called. Global destructors are invoked during `exit( )`, similar to functions registered through `atexit( )`.

[Section 6.9.5](#) discusses the format of the global constructor table.

#### 4.4.5 Specifying the Type of Global Variable Initialization

The C/C++ compiler produces data for initializing global variables. [Section 6.9.5](#) discusses the format of these initialization tables. The initialization tables are used in one of the following ways:

- Global variables are initialized at *run time*. Use the `--rom_model` linker option (see [Section 6.9.6](#)).
- Global variables are initialized at *load time*. Use the `--ram_model` linker option (see [Section 6.9.7](#)).

When you link a C/C++ program, you must use either the `--rom_model` or `--ram_model` option. These options tell the linker to select initialization at run time or load time.

When you compile and link programs, the `--rom_model` option is the default. If used, the `--rom_model` option must follow the `--run_linker` option (see [Section 4.1](#)). The following list outlines the linking conventions used with `--rom_model` or `--ram_model`:

- The symbol `_c_int00` is defined as the program entry point; it identifies the beginning of the C/C++ boot routine in `boot.obj`. When you use `--rom_model` or `--ram_model`, `_c_int00` is automatically referenced, ensuring that `boot.obj` is automatically linked in from the run-time-support library.
- The initialization output section is padded with a termination record so that the loader (load-time initialization) or the boot routine (run-time initialization) knows when to stop reading the initialization tables.
- The global constructor output section is padded with a termination record.
- When initializing at load time (the `--ram_model` option), the following occur:
  - The linker sets the initialization table symbol to `-1`. This indicates that the initialization tables are not in memory, so no initialization is performed at run time.
  - The `STYP_COPY` flag is set in the initialization table section header. `STYP_COPY` is the special attribute that tells the loader to perform autoinitialization directly and not to load the initialization table into memory. The linker does not allocate space in memory for the initialization table.
- When autoinitializing at run time (`--rom_model` option), the linker defines the initialization table symbol as the starting address of the initialization table. The boot routine uses this symbol as the starting point for autoinitialization.
- The linker defines the starting address of the global constructor table. The boot routine uses this symbol as the beginning of the table of global constructors.

---

**Note: Boot Loader**

A loader is not included as part of the C/C++ compiler tools.

---

#### 4.4.6 Specifying Where to Allocate Sections in Memory

The compiler produces relocatable blocks of code and data. These blocks, called *sections*, are allocated in memory in a variety of ways to conform to a variety of system configurations.

The compiler creates two basic kinds of sections: initialized and uninitialized. [Table 4-1](#) summarizes the initialized sections. [Table 4-2](#) summarizes the uninitialized sections.

**Table 4-1. Initialized Sections Created by the Compiler**

| Name   | Contents                                                                                      |
|--------|-----------------------------------------------------------------------------------------------|
| .cinit | Tables for explicitly initialized global and static variables                                 |
| .const | Global and static const variables that are explicitly initialized and contain string literals |
| .pinit | Table of constructors to be called at startup                                                 |
| .text  | Executable code and constants                                                                 |

**Table 4-2. Uninitialized Sections Created by the Compiler**

| Name      | Contents                                                                                         |
|-----------|--------------------------------------------------------------------------------------------------|
| .args     | Linker-created section used to pass arguments from the command line of the loader to the program |
| .bss      | Global and static variables                                                                      |
| .stack    | Stack                                                                                            |
| .systemem | Memory for malloc functions (heap)                                                               |

When you link your program, you must specify where to allocate the sections in memory. In general, initialized sections are linked into ROM or RAM; uninitialized sections are linked into RAM. With the exception of `.text`, the initialized and uninitialized sections created by the compiler cannot be allocated into internal program memory. See [Section 6.1.3](#) for a complete description of how the compiler uses these sections.

The linker provides `MEMORY` and `SECTIONS` directives for allocating sections. For more information about allocating sections into memory, see the *MSP430 Assembly Language Tools User's Guide*.

#### 4.4.7 A Sample Linker Command File

[Example 4-1](#) shows a typical linker command file that links a 32-bit C program. The command file in this example is named `Ink32.cmd` and lists several link options:

|                     |                                                                          |
|---------------------|--------------------------------------------------------------------------|
| <b>--rom_model</b>  | Tells the linker to use autoinitialization at run time                   |
| <b>--stack_size</b> | Tells the linker to set the C stack size at 0x140 bytes                  |
| <b>--heap_size</b>  | Tells the linker to set the heap size to 0x120 bytes                     |
| <b>--library</b>    | Tells the linker to use an archive library file, <code>rts430.lib</code> |

To link the program, enter:

```
cl430 --run_linker object_file(s) --output_file=file --map_file=file Ink.cmd
```

**Example 4-1. Linker Command File**

```

--rom_model
--stack_size=0x0140
--heap_size=0x120
--library=rts430.lib

/*****
/* SPECIFY THE SYSTEM MEMORY MAP
*****/

MEMORY
{
 SFR(R) : origin = 0x0000, length = 0x0010
 PERIPHERALS_8BIT : origin = 0x0010, length = 0x00F0
 PERIPHERALS_16BIT: origin = 0x0100, length = 0x0100
 RAM(RW) : origin = 0x0200, length = 0x0800
 INFOA : origin = 0x1080, length = 0x0080
 INFOB : origin = 0x1000, length = 0x0080
 FLASH : origin = 0x1100, length = 0xEEE0
 VECTORS(R) : origin = 0xFFE0, length = 0x001E
 RESET : origin = 0xFFFE, length = 0x0002
}
/*****
/* SPECIFY THE SECTIONS ALLOCATION INTO MEMORY
*****/

SECTIONS
{
 .bss : {} > RAM /* GLOBAL & STATIC VARS */
 .system : {} > RAM /* DYNAMIC MEMORY ALLOCATION AREA */
 .stack : {} > RAM /* SOFTWARE SYSTEM STACK */
 .text : {} > FLASH /* CODE */
 .cinit : {} > FLASH /* INITIALIZATION TABLES */
 .const : {} > FLASH /* CONSTANT DATA */
 .cio : {} > RAM /* C I/O BUFFER */
 .pinit : {} > RAM /* C++ CONSTRUCTOR TABLES */
 .intvecs : {} > VECTORS /* MSP430 INTERRUPT VECTORS */
 .reset : {} > RESET /* MSP430 RESET VECTOR */
}

```

## ***MSP430 C/C++ Language Implementation***

---

---

The C/C++ compiler supports the C/C++ language standard that was developed by a committee of the American National Standards Institute (ANSI/ISO) to standardize the C programming language.

The C++ language supported by the MSP430 is defined by the ANSI/ISO/IEC 14882-1998 standard with certain exceptions.

| <b>Topic</b>                                               | <b>Page</b> |
|------------------------------------------------------------|-------------|
| <b>5.1 Characteristics of MSP430 C .....</b>               | <b>72</b>   |
| <b>5.2 Characteristics of MSP430 C++ .....</b>             | <b>72</b>   |
| <b>5.3 Data Types .....</b>                                | <b>73</b>   |
| <b>5.4 Keywords .....</b>                                  | <b>74</b>   |
| <b>5.5 C++ Exception Handling .....</b>                    | <b>76</b>   |
| <b>5.6 Register Variables and Parameters .....</b>         | <b>76</b>   |
| <b>5.7 The asm Statement .....</b>                         | <b>77</b>   |
| <b>5.8 Pragma Directives .....</b>                         | <b>78</b>   |
| <b>5.9 The _Pragma Operator .....</b>                      | <b>86</b>   |
| <b>5.10 Generating Linknames .....</b>                     | <b>86</b>   |
| <b>5.11 Initializing Static and Global Variables .....</b> | <b>87</b>   |
| <b>5.12 Changing the ANSI/ISO C Language Mode .....</b>    | <b>88</b>   |
| <b>5.13 GNU C Compiler Extensions .....</b>                | <b>90</b>   |
| <b>5.14 Compiler Limits .....</b>                          | <b>91</b>   |

## 5.1 Characteristics of MSP430 C

The compiler supports the C language as defined by ISO 9899, which is equivalent to American National Standard for Information Systems-Programming Language C X3.159-1989 (C89). The compiler does not support C99.

Unsupported features of the C library are:

- The run-time library has minimal support for wide and multi-byte characters. The type `wchar_t` is implemented as `int`. The wide character set is equivalent to the set of values of type `char`. The library includes the header files `<wchar.h>` and `<wctype.h>`, but does not include all the functions specified in the standard. So-called multi-byte characters are limited to single characters. There are no shift states. The mapping between multi-byte characters and wide characters is simple equivalence; that is, each wide character maps to and from exactly a single multi-byte character having the same value.
- The run-time library includes the header file `<locale.h>`, but with a minimal implementation. The only supported locale is the C locale. That is, library behavior that is specified to vary by locale is hard-coded to the behavior of the C locale, and attempting to install a different locale by way of a call to `setlocale()` will return `NULL`.

## 5.2 Characteristics of MSP430 C++

The MSP430 compiler supports C++ as defined in the ANSI/ISO/IEC 14882:1998 standard, including these features:

- Complete C++ standard library support, with exceptions noted below.
- Templates
- Exceptions, which are enabled with the `--exceptions` option; see [Section 5.5](#).
- Run-time type information (RTTI), which can be enabled with the `--rtti` compiler option.

The *exceptions* to the standard are as follows:

- The `<complex>` header and its functions are not included in the library.
- The library supports wide chars, in that template functions and classes that are defined for `char` are also available for wide `char`. For example, wide char stream classes `wios`, `wiostream`, `wstreambuf` and so on (corresponding to `char` classes `ios`, `iostream`, `streambuf`) are implemented. However, there is no low-level file I/O for wide chars. Also, the C library interface to wide char support (through the C++ headers `<wchar>` and `<wctype>`) is limited as described above in the C library.
- If the definition of an inline function contains a static variable, and it appears in multiple compilation units (usually because it's a member function of a class defined in a header file), the compiler generates multiple copies of the static variable rather than resolving them to a single definition. The compiler emits a warning (#1369) in such cases.
- The `reinterpret_cast` type does not allow casting a pointer-to-member of one class to a pointer-to-member of another class if the classes are unrelated.
- Two-phase name binding in templates, as described in `[tesp.res]` and `[temp.dep]` of the standard, is not implemented.
- Template parameters are not implemented.
- The `export` keyword for templates is not implemented.
- A typedef of a function type cannot include member function cv-qualifiers.
- A partial specialization of a class member template cannot be added outside of the class definition.



### 5.3 Data Types

[Table 5-1](#) lists the size, representation, and range of each scalar data type for the MSP430 compiler. Many of the range values are available as standard macros in the header file `limits.h`.

**Table 5-1. MSP430 C/C++ Data Types**

| Type                                                                                           | Size    | Representation | Range                         |                 |
|------------------------------------------------------------------------------------------------|---------|----------------|-------------------------------|-----------------|
|                                                                                                |         |                | Minimum                       | Maximum         |
| char, signed char                                                                              | 8 bits  | ASCII          | -128                          | -127            |
| unsigned char, bool                                                                            | 8 bits  | ASCII          | 0                             | 255             |
| short, signed short                                                                            | 16 bits | 2s complement  | -32 768                       | 32 767          |
| unsigned short, wchar_t                                                                        | 16 bits | Binary         | 0                             | 65 535          |
| int, signed int                                                                                | 16 bits | 2s complement  | -32 768                       | 32 767          |
| unsigned int                                                                                   | 16 bits | Binary         | 0                             | 65 535          |
| long, signed long                                                                              | 32 bits | 2s complement  | -2 147 483 648                | 2 147 483 647   |
| unsigned long                                                                                  | 32 bits | Binary         | 0                             | 4 294 967 295   |
| enum                                                                                           | 16 bits | 2s complement  | -32 768                       | 32 767          |
| float                                                                                          | 32 bits | IEEE 32-bit    | 1.175 495e-38 <sup>(1)</sup>  | 3.40 282 35e+38 |
| double                                                                                         | 32 bits | IEEE 32-bit    | 1.175 495e-38 <sup>(1)</sup>  | 3.40 282 35e+38 |
| long double                                                                                    | 32 bits | IEEE 32-bit    | 1.175 495e-308 <sup>(1)</sup> | 3.40 282 35e+38 |
| pointers, references,<br>pointer to data members                                               | 16 bits | Binary         | 0                             | 0xFFFF          |
| MSP430X large-data<br>model pointers,<br>references, pointer to<br>data members <sup>(2)</sup> | 20 bits | Binary         | 0                             | 0xFFFFF         |
| MSP430 function pointers                                                                       | 16 bits | Binary         | 0                             | 0xFFFF          |
| MSP430X function<br>pointers <sup>(3)</sup>                                                    | 20 bits | Binary         | 0                             | 0xFFFFF         |

<sup>(1)</sup> Figures are minimum precision.

<sup>(2)</sup> MSP430X large-data model is specified by `--silicon_version=mspx --large_memory_model`

<sup>(3)</sup> MSP430X devices are specified by `--silicon_version=mspx`

## 5.4 Keywords

The MSP430 C/C++ compiler supports the standard `const`, `register`, and `volatile` keywords. In addition, the MSP430 C/C++ compiler extends the C/C++ language through the support of the `interrupt` keyword.

### 5.4.1 The `const` Keyword

The C/C++ compiler supports the ANSI/ISO standard keyword `const`. This keyword gives you greater optimization and control over allocation of storage for certain data objects. You can apply the `const` qualifier to the definition of any variable or array to ensure that its value is not altered.

If you define an object as `const`, the `.const` section allocates storage for the object. The `const` data storage allocation rule has two exceptions:

- If the keyword `volatile` is also specified in the definition of an object (for example, `volatile const int x`). Volatile keywords are assumed to be allocated to RAM. (The program does not modify a `const volatile` object, but something external to the program might.)
- If the object has automatic storage (function scope).

In both cases, the storage for the object is the same as if the `const` keyword were not used.

The placement of the `const` keyword within a definition is important. For example, the first statement below defines a constant pointer `p` to a variable `int`. The second statement defines a variable pointer `q` to a constant `int`:

```
int * const p = &x;
const int * q = &x;
```

Using the `const` keyword, you can define large constant tables and allocate them into system ROM. For example, to allocate a ROM table, you could use the following definition:

```
const int digits[] = {0,1,2,3,4,5,6,7,8,9};
```

### 5.4.2 The `interrupt` Keyword

The compiler extends the C/C++ language by adding the `interrupt` keyword, which specifies that a function is treated as an interrupt function.

Functions that handle interrupts follow special register-saving rules and a special return sequence. When C/C++ code is interrupted, the interrupt routine must preserve the contents of all machine registers that are used by the routine or by any function called by the routine. When you use the `interrupt` keyword with the definition of the function, the compiler generates register saves based on the rules for interrupt functions and the special return sequence for interrupts.

You can only use the `interrupt` keyword with a function that is defined to return `void` and that has no parameters. The body of the interrupt function can have local variables and is free to use the stack or global variables. For example:

```
interrupt void int_handler()
{
 unsigned int flags;
 ...
}
```

The name `c_int00` is the C/C++ entry point. This name is reserved for the system reset interrupt. This special interrupt routine initializes the system and calls the function `main`. Because it has no caller, `c_int00` does not save any registers.

Use the alternate keyword, `__interrupt`, if you are writing code for strict ANSI/ISO mode (using the `--strict_ansi` compiler option).

---

#### HWI Objects and the `interrupt` Keyword

**Note:** The `interrupt` keyword must not be used when BIOS HWI objects are used in conjunction with C functions. The `HWI_enter/HWI_exit` macros and the HWI dispatcher contain this functionality, and the use of the C modifier can cause catastrophic results.

---

### 5.4.3 The restrict Keyword

To help the compiler determine memory dependencies, you can qualify a pointer, reference, or array with the restrict keyword. The restrict keyword is a type qualifier that can be applied to pointers, references, and arrays. Its use represents a guarantee by you, the programmer, that within the scope of the pointer declaration the object pointed to can be accessed only by that pointer. Any violation of this guarantee renders the program undefined. This practice helps the compiler optimize certain sections of code because aliasing information can be more easily determined.

In [Example 5-1](#), the restrict keyword is used to tell the compiler that the function func1 is never called with the pointers a and b pointing to objects that overlap in memory. You are promising that accesses through a and b will never conflict; therefore, a write through one pointer cannot affect a read from any other pointers. The precise semantics of the restrict keyword are described in the 1999 version of the ANSI/ISO C Standard.

#### **Example 5-1. Use of the restrict Type Qualifier With Pointers**

```
void func1(int * restrict a, int * restrict b)
{
 /* func1's code here */
}
```

[Example 5-2](#) illustrates using the restrict keyword when passing arrays to a function. Here, the arrays c and d should not overlap, nor should c and d point to the same array.

#### **Example 5-2. Use of the restrict Type Qualifier With Arrays**

```
void func2(int c[restrict], int d[restrict])
{
 int i;

 for(i = 0; i < 64; i++)
 {
 c[i] += d[i];
 d[i] += 1;
 }
}
```

### 5.4.4 The volatile Keyword

The compiler analyzes data flow to avoid memory accesses whenever possible. If you have code that depends on memory accesses exactly as written in the C/C++ code, you must use the volatile keyword to identify these accesses. A variable qualified with a volatile keyword is allocated to an uninitialized section (as opposed to a register). The compiler does not optimize out any references to volatile variables.

In the following example, the loop waits for a location to be read as 0xFF:

```
unsigned int *ctrl;
while (*ctrl !=0xFF);
```

In this example, \*ctrl is a loop-invariant expression, so the loop is optimized down to a single-memory read. To correct this, define \*ctrl as:

```
volatile unsigned int *ctrl;
```

Here the \*ctrl pointer is intended to reference a hardware location, such as an interrupt flag.

## 5.5 C++ Exception Handling

The compiler supports all the C++ exception handling features as defined by the ANSI/ISO 14882 C++ Standard. More details are discussed in *The C++ Programming Language, Third Edition* by Bjarne Stroustrup.

The compiler `--exceptions` option enables exception handling. The compiler's default is no exception handling support.

For exceptions to work correctly, all C++ files in the application must be compiled with the `--exceptions` option, regardless of whether exceptions occur in a particular file. Mixing exception-enabled object files and libraries with object files and libraries that do not have exceptions enabled can lead to undefined behavior. Also, when using `--exceptions`, you need to link with run-time-support libraries whose name contains `_eh`. These libraries contain functions that implement exception handling.

Using `--exceptions` causes code size to increase.

See [Section 7.1](#) for details on the run-time libraries.

## 5.6 Register Variables and Parameters

The C/C++ compiler treats register variables (variables defined with the `register` keyword) differently, depending on whether you use the `--opt_level (-O)` option.

- **Compiling with optimization**

The compiler ignores any register definitions and allocates registers to variables and temporary values by using an algorithm that makes the most efficient use of registers.

- **Compiling without optimization**

If you use the `register` keyword, you can suggest variables as candidates for allocation into registers. The compiler uses the same set of registers for allocating temporary expression results as it uses for allocating register variables.

The compiler attempts to honor all register definitions. If the compiler runs out of appropriate registers, it frees a register by moving its contents to memory. If you define too many objects as register variables, you limit the number of registers the compiler has for temporary expression results. This limit causes excessive movement of register contents to memory.

Any object with a scalar type (integral, floating point, or pointer) can be defined as a register variable. The register designator is ignored for objects of other types, such as arrays.

The register storage class is meaningful for parameters as well as local variables. Normally, in a function, some of the parameters are copied to a location on the stack where they are referenced during the function body. The compiler copies a register parameter to a register instead of the stack, which speeds access to the parameter within the function.

For more information about register conventions, see [Section 6.3](#).

## 5.7 The asm Statement

The C/C++ compiler can embed assembly language instructions or directives directly into the assembly language output of the compiler. This capability is an extension to the C/C++ language—the *asm* statement. The *asm* (or `__asm`) statement provides access to hardware features that C/C++ cannot provide. The *asm* statement is syntactically like a call to a function named *asm*, with one string constant argument:

```
asm(" assembler text ");
```

The compiler copies the argument string directly into your output file. The assembler text must be enclosed in double quotes. All the usual character string escape codes retain their definitions. For example, you can insert a `.byte` directive that contains quotes as follows:

```
asm("STR: .byte \"abc\"");
```

The inserted code must be a legal assembly language statement. Like all assembly language statements, the line of code inside the quotes must begin with a label, a blank, a tab, or a comment (asterisk or semicolon). The compiler performs no checking on the string; if there is an error, the assembler detects it. For more information about the assembly language statements, see the *MSP430 Assembly Language Tools User's Guide*.

The *asm* statements do not follow the syntactic restrictions of normal C/C++ statements. Each can appear as a statement or a declaration, even outside of blocks. This is useful for inserting directives at the very beginning of a compiled module.

Use the alternate statement `__asm("assembler text")` if you are writing code for strict ANSI/ISO C mode (using the `--strict_ansi` option).

---

**Note: Avoid Disrupting the C/C++ Environment With asm Statements**

Be careful not to disrupt the C/C++ environment with *asm* statements. The compiler does not check the inserted instructions. Inserting jumps and labels into C/C++ code can cause unpredictable results in variables manipulated in or around the inserted code. Directives that change sections or otherwise affect the assembly environment can also be troublesome.

Be especially careful when you use optimization with *asm* statements. Although the compiler cannot remove *asm* statements, it can significantly rearrange the code order near them and cause undesired results.

---

## 5.8 Pragma Directives

Pragma directives tell the compiler how to treat a certain function, object, or section of code. The MSP430 C/C++ compiler supports the following pragmas:

- `BIS_IE1_INTERRUPT`
- `CODE_SECTION`
- `DATA_ALIGN`
- `DATA_SECTION`
- `FUNC_CANNOT_INLINE`
- `FUNC_EXT_CALLED`
- `FUNC_IS_PURE`
- `FUNC_NEVER_RETURNS`
- `FUNC_NO_GLOBAL_ASG`
- `FUNC_NO_IND_ASG`
- `INTERRUPT`
- `NO_HOOKS`

For the pragmas that apply to functions or symbols, the syntax for the pragmas differs between C and C++. In C, you must supply the name of the object or function to which you are applying the pragma as the first argument. In C++, the name is omitted; the pragma applies to the declaration of the object or function that follows it.

### 5.8.1 The `BIS_IE1_INTERRUPT`

The `BIS_IE1_INTERRUPT` pragma treats the named function as an interrupt routine. Additionally, the compiler generates a BIS operation on the IE1 special function register upon function exit. The mask value, which must be an 8-bit constant literal, is logically OR'ed with the IE1 SFR, just before the RETI instruction. The compiler assumes the IE1 SFR is mapped to address 0x0000.

The syntax of the pragma in C is:

```
#pragma BIS_IE1_INTERRUPT (func , mask);
```

The syntax of the pragma in C++ is:

```
#pragma BIS_IE1_INTERRUPT (mask);
```

In C, the argument `func` is the name of the function that is an interrupt. In C++, the pragma applies to the next function declared.

### 5.8.2 The `CODE_SECTION` Pragma

The `CODE_SECTION` pragma allocates space for the *symbol* in a section named *section name*.

The syntax of the pragma in C is:

```
#pragma CODE_SECTION (symbol , " section name ");
```

The syntax of the pragma in C++ is:

```
#pragma CODE_SECTION (" section name ");
```

The `CODE_SECTION` pragma is useful if you have code objects that you want to link into an area separate from the `.text` section.

The following examples demonstrate the use of the `CODE_SECTION` pragma.

#### Example 5-3. Using the `CODE_SECTION` Pragma C Source File

```
#pragma CODE_SECTION(funcA,"codeA")
int funcA(int a)
{
 int i;
 return (i = a);
}
```

#### Example 5-4. Generated Assembly Code From Example 5-3

```
.sect "codeA"
.align 2
.clink
.global funcA
;*****
;* FUNCTION NAME: funcA *
;* *
;* Regs Modified : SP,SR,r12 *
;* Regs Used : SP,SR,r12 *
;* Local Frame Size : 0 Args + 4 Auto + 0 Save = 4 byte *
;*****
funcA:
;* -----*
SUB.W #4,SP
MOV.W r12,0(SP) ; | 4 |
MOV.W 0(SP),2(SP) ; | 6 |
MOV.W 2(SP),r12 ; | 6 |
ADD.W #4,SP
RET
```

#### Example 5-5. Using the `CODE_SECTION` Pragma C++ Source File

```
#pragma CODE_SECTION("codeB")
int i_arg(int x) { return 1; }
int f_arg(float x) { return 2; }
```

**Example 5-6. Generated Assembly Code From Example 5-5**

```

 .sect "codeB"
 .align 2
 .clink
 .global i_arg__Fi
;*****
;* FUNCTION NAME: i_arg(int)
;*
;* Regs Modified : SP,SR,r12
;* Regs Used : SP,SR,r12
;* Local Frame Size : 0 Args + 2 Auto + 0 Save = 2 byte
;*****
i_arg__Fi:
;* -----*
 SUB.W #2,SP
 MOV.W r12,0(SP) ; |2|
 MOV.W #1,r12 ; |2|
 ADD.W #2,SP
 RET
 .sect ".text"
 .align 2
 .clink
 .global f_arg__Ff
;*****
;* FUNCTION NAME: f_arg(float)
;*
;* Regs Modified : SP,SR,r12
;* Regs Used : SP,SR,r12,r13
;* Local Frame Size : 0 Args + 4 Auto + 0 Save = 4 byte
;*****
f_arg__Ff:
;* -----*
 SUB.W #4,SP
 MOV.W r12,0(SP) ; |3|
 MOV.W r13,2(SP) ; |3|
 MOV.W #2,r12 ; |3|
 ADD.W #4,SP
 RET

```

**5.8.3 The DATA\_ALIGN Pragma**

The DATA\_ALIGN pragma aligns the *symbol* to an alignment boundary. The alignment boundary is the maximum of the symbol's default alignment value or the value of the *constant* in bytes. The constant must be a power of 2.

The syntax of the pragma in C is:

```
#pragma DATA_ALIGN (symbol , constant);
```

The syntax of the pragma in C++ is:

```
#pragma DATA_ALIGN (constant);
```



### 5.8.4 The DATA\_SECTION Pragma

The DATA\_SECTION pragma allocates space for the *symbol* in a section named *section name*.

The syntax of the pragma in C is:

```
#pragma DATA_SECTION (symbol , " section name ");
```

The syntax of the pragma in C++ is:

```
#pragma DATA_SECTION (" section name ");
```

The DATA\_SECTION pragma is useful if you have data objects that you want to link into an area separate from the .bss section. If you allocate a global variable using a DATA\_SECTION pragma and you want to reference the variable in C code, you must declare the variable as extern far.

[Example 5-7](#) through [Example 5-9](#) demonstrate the use of the DATA\_SECTION pragma.

#### **Example 5-7. Using the DATA\_SECTION Pragma C Source File**

```
#pragma DATA_SECTION(bufferB, "my_sect")
char bufferA[512];
char bufferB[512];
```

#### **Example 5-8. Using the DATA\_SECTION Pragma C++ Source File**

```
char bufferA[512];
#pragma DATA_SECTION("my_sect")
char bufferB[512];
```

#### **Example 5-9. Using the DATA\_SECTION Pragma Assembly Source File**

```
.global bufferA
.bss bufferA,512,2
.global bufferB
bufferB: .usect "my_sect",512,2
```

### 5.8.5 The `FUNC_CANNOT_INLINE` Pragma

The `FUNC_CANNOT_INLINE` pragma instructs the compiler that the named function cannot be expanded inline. Any function named with this pragma overrides any inlining you designate in any other way, such as using the `inline` keyword. Automatic inlining is also overridden with this pragma; see [Section 2.11](#).

The pragma must appear before any declaration or reference to the function that you want to keep. In C, the argument *func* is the name of the function that cannot be inlined. In C++, the pragma applies to the next function declared.

The syntax of the pragma in C is:

```
#pragma FUNC_CANNOT_INLINE (func);
```

The syntax of the pragma in C++ is:

```
#pragma FUNC_CANNOT_INLINE;
```

### 5.8.6 The `FUNC_EXT_CALLED` Pragma

When you use the `--program_level_compile` option, the compiler uses program-level optimization. When you use this type of optimization, the compiler removes any function that is not called, directly or indirectly, by main. You might have C/C++ functions that are called by hand-coded assembly instead of main.

The `FUNC_EXT_CALLED` pragma specifies to the optimizer to keep these C functions or any other functions that these C/C++ functions call. These functions act as entry points into C/C++.

The pragma must appear before any declaration or reference to the function that you want to keep. In C, the argument *func* is the name of the function that you do not want removed. In C++, the pragma applies to the next function declared.

The syntax of the pragma in C is:

```
#pragma FUNC_EXT_CALLED (func);
```

The syntax of the pragma in C++ is:

```
#pragma FUNC_EXT_CALLED;
```

Except for `_c_int00`, which is the name reserved for the system reset interrupt for C/C++ programs, the name of the interrupt (the *func* argument) does not need to conform to a naming convention.

When you use program-level optimization, you may need to use the `FUNC_EXT_CALLED` pragma with certain options. See [Section 3.3.2](#).

### 5.8.7 The `FUNC_IS_PURE` Pragma

The `FUNC_IS_PURE` pragma specifies to the compiler that the named function has no side effects. This allows the compiler to do the following:

- Delete the call to the function if the function's value is not needed
- Delete duplicate functions

The pragma must appear before any declaration or reference to the function. In C, the argument *func* is the name of a function. In C++, the pragma applies to the next function declared.

The syntax of the pragma in C is:

```
#pragma FUNC_IS_PURE (func);
```

The syntax of the pragma in C++ is:

```
#pragma FUNC_IS_PURE;
```

### 5.8.8 The `FUNC_NEVER_RETURNS` Pragma

The `FUNC_NEVER_RETURNS` pragma specifies to the compiler that the function never returns to its caller.

The pragma must appear before any declaration or reference to the function that you want to keep. In C, the argument *func* is the name of the function that does not return. In C++, the pragma applies to the next function declared.

The syntax of the pragma in C is:

```
#pragma FUNC_NEVER_RETURNS (func);
```

The syntax of the pragma in C++ is:

```
#pragma FUNC_NEVER_RETURNS;
```

### 5.8.9 The `FUNC_NO_GLOBAL_ASG` Pragma

The `FUNC_NO_GLOBAL_ASG` pragma specifies to the compiler that the function makes no assignments to named global variables and contains no asm statements.

The pragma must appear before any declaration or reference to the function that you want to keep. In C, the argument *func* is the name of the function that makes no assignments. In C++, the pragma applies to the next function declared.

The syntax of the pragma in C is:

```
#pragma FUNC_NO_GLOBAL_ASG (func);
```

The syntax of the pragma in C++ is:

```
#pragma FUNC_NO_GLOBAL_ASG;
```

### 5.8.10 The `FUNC_NO_IND_ASG` Pragma

The `FUNC_NO_IND_ASG` pragma specifies to the compiler that the function makes no assignments through pointers and contains no asm statements.

The pragma must appear before any declaration or reference to the function that you want to keep. In C, the argument *func* is the name of the function that makes no assignments. In C++, the pragma applies to the next function declared.

The syntax of the pragma in C is:

```
#pragma FUNC_NO_IND_ASG (func);
```

The syntax of the pragma in C++ is:

```
#pragma FUNC_NO_IND_ASG;
```

### 5.8.11 The `INTERRUPT` Pragma

The `INTERRUPT` pragma enables you to handle interrupts directly with C code. In C, the argument *func* is the name of a function. In C++, the pragma applies to the next function declared.

The syntax of the pragma in C is:

```
#pragma INTERRUPT (func);
```

The syntax of the pragma in C++ is:

```
#pragma INTERRUPT;
```

The code for the function will return via the IRP (interrupt return pointer).

Except for `_c_int00`, which is the name reserved for the system reset interrupt for C programs, the name of the interrupt (the *func* argument) does not need to conform to a naming convention.

---

#### HWI Objects and the `INTERRUPT` Pragma

**Note:** The `INTERRUPT` pragma must not be used when BIOS HWI objects are used in conjunction with C functions. The `HWI_enter`/`HWI_exit` macros and the HWI dispatcher contain this functionality, and the use of the C modifier can cause catastrophic results.

---

### 5.8.12 The `NO_HOOKS` Pragma

The `NO_HOOKS` pragma prevents entry and exit hook calls from being generated for a function.

The syntax of the pragma in C is:

```
#pragma NO_HOOKS (func);
```

The syntax of the pragma in C++ is:

```
#pragma NO_HOOKS;
```

See [Section 2.13](#) for details on entry and exit hooks.

### 5.8.13 The `vector` Pragma

The `vector` pragma indicates that the function that follows is to be used as the interrupt vector routine for the listed vectors. The syntax of the pragma is:

```
#pragma vector =vec1[, vec2, vec3, ...]
```

The `vector` pragma requires linker command file support. The command file must specify output sections for each interrupt vector of the form `.intxx` where `xx` is the number of the interrupt vector. The output sections must map to the physical memory location of the appropriate interrupt vector. The standard linker command files are set up to handle the `vector` pragma.

The `__even_in_range` intrinsic provides a hint to the compiler when generating switch statements for interrupt vector routines. The intrinsic is usually used as follows:

```
switch (__even_in_range(x, NUM))
{
 ...
}
```

The `__even_in_range` intrinsic returns the value `x` to control the switch statement, but also tells the compiler that `x` must be an even value in the range of 0 to `NUM`, inclusive.

## 5.9 The \_Pragma Operator

The MSP430 C/C++ compiler supports the C99 preprocessor `_Pragma()` operator. This preprocessor operator is similar to `#pragma` directives. However, `_Pragma` can be used in preprocessing macros (`#defines`).

The syntax of the operator is:

```
_Pragma (" string_literal ");
```

The argument *string\_literal* is interpreted in the same way the tokens following a `#pragma` directive are processed. The *string\_literal* must be enclosed in quotes. A quotation mark that is part of the *string\_literal* must be preceded by a backward slash.

You can use the `_Pragma` operator to express `#pragma` directives in macros. For example, the `DATA_SECTION` syntax:

```
#pragma DATA_SECTION(func ," section ");
```

Is represented by the `_Pragma()` operator syntax:

```
_Pragma ("DATA_SECTION(func ,\" section \")")
```

The following code illustrates using `_Pragma` to specify the `DATA_SECTION` pragma in a macro:

```
...
#define EMIT_PRAGMA(x) _Pragma(#x)
#define COLLECT_DATA(var) EMIT_PRAGMA(DATA_SECTION(var,"mysection"))

COLLECT_DATA(x)
int x;

...
```

The `EMIT_PRAGMA` macro is needed to properly expand the quotes that are required to surround the section argument to the `DATA_SECTION` pragma.

## 5.10 Generating Linknames

The compiler transforms the names of externally visible identifiers when creating their linknames. The algorithm used depends on the scope within which the identifier is declared. For objects and C functions, an underscore (`_`) is prefixed to the identifier name. C++ functions are prefixed with an underscore also, but the function name is modified further.

Mangling is the process of embedding a function's signature (the number and types of its parameters) into its name. Mangling occurs only in C++ code. The mangling algorithm used closely follows that described in *The Annotated Reference Manual* (ARM). Mangling allows function overloading, operator overloading, and type-safe linking.

For example, the general form of a C++ linkname for a function named `func` is:

```
func__F parmcodes
```

Where *parmcodes* is a sequence of letters that encodes the parameter types of `func`.

For this simple C++ source file:

```
int foo(int i){ } //global C++ function
```

This is the resulting assembly code:

```
foo__Fi
```

The linkname of `foo` is `foo__Fi`, indicating that `foo` is a function that takes a single argument of type `int`. To aid inspection and debugging, a name demangling utility is provided that demangles names into those found in the original C++ source. See [Chapter 8](#) for more information.

## 5.11 Initializing Static and Global Variables

The ANSI/ISO C standard specifies that global (extern) and static variables without explicit initializations must be initialized to 0 before the program begins running. This task is typically done when the program is loaded. Because the loading process is heavily dependent on the specific environment of the target application system, the compiler itself makes no provision for preinitializing variables at run time. It is up to your application to fulfill this requirement.

### 5.11.1 Initializing Static and Global Variables With the Linker

If your loader does not preinitialize variables, you can use the linker to preinitialize the variables to 0 in the object file. For example, in the linker command file, use a fill value of 0 in the .bss section:

```
SECTIONS
{
...
.bss: {} = 0x00;
...
}
```

Because the linker writes a complete load image of the zeroed .bss section into the output COFF file, this method can have the unwanted effect of significantly increasing the size of the output file (but not the program).

If you burn your application into ROM, you should explicitly initialize variables that require initialization. The preceding method initializes .bss to 0 only at load time, not at system reset or power up. To make these variables 0 at run time, explicitly define them in your code.

For more information about linker command files and the SECTIONS directive, see the linker description information in the *MSP430 Assembly Language Tools User's Guide*.

### 5.11.2 Initializing Static and Global Variables With the const Type Qualifier

Static and global variables of type *const* without explicit initializations are similar to other static and global variables because they might not be preinitialized to 0 (for the same reasons discussed in [Section 5.11](#)). For example:

```
const int zero; /* may not be initialized to 0 */
```

However, the initialization of *const* global and static variables is different because these variables are declared and initialized in a section called .const. For example:

```
const int zero = 0 /* guaranteed to be 0 */
```

This corresponds to an entry in the .const section:

```
.sect .const
_zero
.word 0
```

This feature is particularly useful for declaring a large table of constants, because neither time nor space is wasted at system startup to initialize the table. Additionally, the linker can be used to place the .const section in ROM.

You can use the DATA\_SECTION pragma to put the variable in a section other than .const. For example, the following C code:

```
#pragma DATA_SECTION (var, ".mysect");
const int zero=0;
```

is compiled into this assembly code:

```
.sect .mysect
_zero
.word 0
```

## 5.12 Changing the ANSI/ISO C Language Mode

The `--kr_compatible`, `--relaxed_ansi`, and `--strict_ansi` options let you specify how the C/C++ compiler interprets your source code. You can compile your source code in the following modes:

- Normal ANSI/ISO mode
- K&R C mode
- Relaxed ANSI/ISO mode
- Strict ANSI/ISO mode

The default is normal ANSI/ISO mode. Under normal ANSI/ISO mode, most ANSI/ISO violations are emitted as errors. Strict ANSI/ISO violations (those idioms and allowances commonly accepted by C/C++ compilers, although violations with a strict interpretation of ANSI/ISO), however, are emitted as warnings. Language extensions, even those that conflict with ANSI/ISO C, are enabled.

K&R C mode does not apply to C++ code.

### 5.12.1 Compatibility With K&R C (`--kr_compatible` Option)

The ANSI/ISO C/C++ language is a superset of the de facto C standard defined in Kernighan and Ritchie's *The C Programming Language*. Most programs written for other non-ANSI/ISO compilers correctly compile and run without modification.

There are subtle changes, however, in the language that can affect existing code. Appendix C in *The C Programming Language* (second edition, referred to in this manual as K&R) summarizes the differences between ANSI/ISO C and the first edition's C standard (the first edition is referred to in this manual as K&R C).

To simplify the process of compiling existing C programs with the ANSI/ISO C/C++ compiler, the compiler has a K&R option (`--kr_compatible`) that modifies some semantic rules of the language for compatibility with older code. In general, the `--kr_compatible` option relaxes requirements that are stricter for ANSI/ISO C than for K&R C. The `--kr_compatible` option does not disable any new features of the language such as function prototypes, enumerations, initializations, or preprocessor constructs. Instead, `--kr_compatible` simply liberalizes the ANSI/ISO rules without revoking any of the features.

The specific differences between the ANSI/ISO version of C and the K&R version of C are as follows:

- The integral promotion rules have changed regarding promoting an unsigned type to a wider signed type. Under K&R C, the result type was an unsigned version of the wider type; under ANSI/ISO, the result type is a signed version of the wider type. This affects operations that perform differently when applied to signed or unsigned operands; namely, comparisons, division (and mod), and right shift:

```
unsigned short u;
int i;
if (u < i) /* SIGNED comparison, unless --kr_compatible used */
```

- ANSI/ISO prohibits combining two pointers to different types in an operation. In most K&R compilers, this situation produces only a warning. Such cases are still diagnosed when `--kr_compatible` is used, but with less severity:

```
int *p;
char *q = p; /* error without --kr_compatible, warning with --kr_compatible */
```

- External declarations with no type or storage class (only an identifier) are illegal in ANSI/ISO but legal in K&R:

```
a; /* illegal unless --kr_compatible used */
```

- ANSI/ISO interprets file scope definitions that have no initializers as *tentative definitions*. In a single module, multiple definitions of this form are fused together into a single definition. Under K&R, each definition is treated as a separate definition, resulting in multiple definitions of the same object and usually an error. For example:

```
int a;
int a; /* illegal if --kr_compatible used, OK if not */
```

Under ANSI/ISO, the result of these two definitions is a single definition for the object `a`. For most K&R compilers, this sequence is illegal, because `int a` is defined twice.

- ANSI/ISO prohibits, but K&R allows objects with external linkage to be redeclared as static:

```
extern int a;
static int a; /* illegal unless --kr_compatible used */
```



- Unrecognized escape sequences in string and character constants are explicitly illegal under ANSI/ISO but ignored under K&R:

```
char c = '\q'; /* same as 'q' if --kr_compatible used, error if not */
```

- ANSI/ISO specifies that bit fields must be of type int or unsigned. With --kr\_compatible, bit fields can be legally defined with any integral type. For example:

```
struct s
{
 short f : 2; /* illegal unless --kr_compatible used */
};
```

- K&R syntax allows a trailing comma in enumerator lists:

```
enum { a, b, c, }; /* illegal unless --kr_compatible used */
```

- K&R syntax allows trailing tokens on preprocessor directives:

```
#endif NAME /* illegal unless --kr_compatible used */
```

### 5.12.2 **Enabling Strict ANSI/ISO Mode and Relaxed ANSI/ISO Mode (--strict\_ansi and --relaxed\_ansi Options)**

Use the --strict\_ansi option when you want to compile under strict ANSI/ISO mode. In this mode, error messages are provided when non-ANSI/ISO features are used, and language extensions that could invalidate a strictly conforming program are disabled. Examples of such extensions are the inline and asm keywords.

Use the --relaxed\_ansi option when you want the compiler to ignore strict ANSI/ISO violations rather than emit a warning (as occurs in normal ANSI/ISO mode) or an error message (as occurs in strict ANSI/ISO mode). In relaxed ANSI/ISO mode, the compiler accepts extensions to the ANSI/ISO C standard, even when they conflict with ANSI/ISO C.

### 5.12.3 **Enabling Embedded C++ Mode (--embedded\_cpp Option)**

The compiler supports the compilation of embedded C++. In this mode, some features of C++ are removed that are of less value or too expensive to support in an embedded system. When compiling for embedded C++, the compiler generates diagnostics for the use of omitted features.

Embedded C++ is enabled by compiling with the --embedded\_cpp option.

Embedded C++ omits these C++ features:

- Templates
- Exception handling
- Run-time type information
- The new cast syntax
- The keyword mutable
- Multiple inheritance
- Virtual inheritance

Under the standard definition of embedded C++, namespaces and using-declarations are not supported. The MSP430 compiler nevertheless allows these features under embedded C++ because the C++ run-time-support library makes use of them. Furthermore, these features impose no run-time penalty.

## 5.13 GNU C Compiler Extensions

The GNU compiler, GCC, provides a number of language features not found in the ANSI standard C. The definition and official examples of these extensions can be found at <http://gcc.gnu.org/onlinedocs/gcc-3.4.6/gcc/C-Extensions.html#C-Extensions>. To enable GNU extension support, use the `--gcc` compiler option.

The extensions that the TI C compiler supports are listed in [Table 5-2](#).

**Table 5-2. GCC Extensions Supported**

| <b>Extensions</b>     | <b>Descriptions</b>                                                                                                                |
|-----------------------|------------------------------------------------------------------------------------------------------------------------------------|
| Statement expressions | Putting statements and declarations inside expressions (useful for creating smart 'safe' macros)                                   |
| Local labels          | Labels local to a statement expression                                                                                             |
| Naming types          | Giving a name to the type of an expression                                                                                         |
| typeof operator       | typeof referring to the type of an expression                                                                                      |
| Generalized lvalues   | Using question mark (?) and comma (,) and casts in lvalues                                                                         |
| Conditionals          | Omitting the middle operand of a ? expression                                                                                      |
| Hex floats            | Hexadecimal floating-point constants                                                                                               |
| Zero length           | Zero-length arrays                                                                                                                 |
| Macro varargs         | Macros with a variable number of arguments                                                                                         |
| Subscripting          | Any array can be subscripted, even if it is not an lvalue.                                                                         |
| Pointer arithmetic    | Arithmetic on void pointers and function pointers                                                                                  |
| Initializers          | Nonconstant initializers                                                                                                           |
| Cast constructors     | Constructor expressions give structures, unions, or arrays as values                                                               |
| Labeled elements      | Labeling elements of initializers                                                                                                  |
| Cast to union         | Casting to union type from any member of the union                                                                                 |
| Case ranges           | 'Case 1 ... 9' and such                                                                                                            |
| Function attributes   | Declaring that functions have no side effects, or that they can never return                                                       |
| Function prototypes   | Prototype declarations and old-style definitions                                                                                   |
| C++ comments          | C++ comments are recognized.                                                                                                       |
| Dollar signs          | A dollar sign is allowed in identifiers.                                                                                           |
| Character escapes     | The character ESC is represented as '\e'                                                                                           |
| Alignment             | Inquiring about the alignment of a type or variable                                                                                |
| Variable attributes   | Specifying the attributes of variables                                                                                             |
| Type attributes       | Specifying the attributes of types                                                                                                 |
| Inline                | Defining inline functions (as fast as macros)                                                                                      |
| Assembly labels       | Specifying the assembler name to use for a C symbol                                                                                |
| Alternate keywords    | Header files can use <code>__const__</code> , <code>__asm__</code> , etc                                                           |
| Incomplete enums      | <code>enum foo??</code>                                                                                                            |
| Function names        | Printable strings which are the name of the current function                                                                       |
| Return address        | Getting the return or frame address of a function<br><code>__builtin_return_address</code><br><code>__builtin_frame_address</code> |
| Other built-ins       | Other built-in functions include:<br><code>__builtin_constant_p</code><br><code>__builtin_expect</code>                            |

### 5.13.1 Function Attributes

The GNU extension support provides a number of attributes about functions to help the C compiler's optimization. The TI compiler accepts only three of these attributes. All others are simply ignored. [Table 5-3](#) lists the attributes that are supported.

**Table 5-3. TI-Supported GCC Function Attributes**

| Attributes | Description                                                              |
|------------|--------------------------------------------------------------------------|
| deprecated | This function exists but the compiler generates a warning if it is used. |
| section    | Place this function in the specified section.                            |
| unused     | The function is meant to be possibly not used.                           |

### 5.13.2 Built-In Functions

TI provides support for only the four built-in functions in [Table 5-4](#).

**Table 5-4. TI-Supported GCC Built-In Functions**

| Function                                                | Description                                                                                                                                                                                                                                                                                                                                                                                                                                                                 |
|---------------------------------------------------------|-----------------------------------------------------------------------------------------------------------------------------------------------------------------------------------------------------------------------------------------------------------------------------------------------------------------------------------------------------------------------------------------------------------------------------------------------------------------------------|
| <code>__builtin_constant_p(<i>expr</i>)</code>          | Returns true only if <i>expr</i> is a constant at compile time.                                                                                                                                                                                                                                                                                                                                                                                                             |
| <code>__builtin_expect(<i>expr</i>, CONST)</code>       | Returns <i>expr</i> . The compiler uses this function to optimize along paths determined by conditional statements such as if-else. While this function can be used anywhere in your code, it only conveys useful information to the compiler if it is the entire predicate of an if statement and CONST is 0 or 1. For example, the following indicates that you expect the predicate "a == 3" to be true most of the time:<br><pre>if (__builtin_expect(a == 3, 1))</pre> |
| <code>__builtin_return_address(<i>int level</i>)</code> | Returns 0.                                                                                                                                                                                                                                                                                                                                                                                                                                                                  |
| <code>__builtin_frame_address(<i>int level</i>)</code>  | Returns 0.                                                                                                                                                                                                                                                                                                                                                                                                                                                                  |

## 5.14 Compiler Limits

Due to the variety of host systems supported by the C/C++ compiler and the limitations of some of these systems, the compiler may not be able to successfully compile source files that are excessively large or complex. In general, exceeding such a system limit prevents continued compilation, so the compiler aborts immediately after printing the error message. Simplify the program to avoid exceeding a system limit.

Some systems do not allow filenames longer than 500 characters. Make sure your filenames are shorter than 500.

The compiler has no arbitrary limits but is limited by the amount of memory available on the host system. On smaller host systems such as PCs, the optimizer may run out of memory. If this occurs, the optimizer terminates and the shell continues compiling the file with the code generator. This results in a file compiled with no optimization. The optimizer compiles one function at a time, so the most likely cause of this is a large or extremely complex function in your source module. To correct the problem, your options are:

- Don't optimize the module in question.
- Identify the function that caused the problem and break it down into smaller functions.
- Extract the function from the module and place it in a separate module that can be compiled without optimization so that the remaining functions can be optimized.



## ***Run-Time Environment***

---

---

---

This chapter describes the MSP430 C/C++ run-time environment. To ensure successful execution of C/C++ programs, it is critical that all run-time code maintain this environment. It is also important to follow the guidelines in this chapter if you write assembly language functions that interface with C/C++ code.

| <b>Topic</b>                                                               | <b>Page</b> |
|----------------------------------------------------------------------------|-------------|
| <b>6.1 Memory Model .....</b>                                              | <b>94</b>   |
| <b>6.2 Object Representation .....</b>                                     | <b>97</b>   |
| <b>6.3 Register Conventions .....</b>                                      | <b>100</b>  |
| <b>6.4 Function Structure and Calling Conventions .....</b>                | <b>101</b>  |
| <b>6.5 Interfacing C and C++ With Assembly Language.....</b>               | <b>103</b>  |
| <b>6.6 Interrupt Handling .....</b>                                        | <b>106</b>  |
| <b>6.7 Intrinsic Run-Time-Support Arithmetic and Conversion Routines .</b> | <b>107</b>  |
| <b>6.8 Using Ininsics to Access Assembly Language Statements.....</b>      | <b>108</b>  |
| <b>6.9 System Initialization.....</b>                                      | <b>111</b>  |
| <b>6.10 Compiling for 20-Bit MSP430X Devices .....</b>                     | <b>115</b>  |

## 6.1 Memory Model

The MSP430 compiler treats memory as a single linear block that is partitioned into subblocks of code and data. Each subblock of code or data generated by a C program is placed in its own continuous memory space. The compiler assumes that a full 16-bit address space is available in target memory.

### 6.1.1 Large-Code Memory Model

When the `--silicon_version=msp` option is specified, the compiler supports a large-code memory model while generating code for MSP430X devices. The size of function pointers is 20-bits. As for MSP430 devices, the size of data pointers is 16-bits. A large-code memory model allows unrestricted placement of programs in the 20-bit address space with the exception of interrupt service routines (see [Section 6.6.5](#)). However, data is still required to be placed into the low 64K of memory. Accessing data located in memory above 64K requires interfacing to assembly routines from C.

Modules assembled/compiled for 16-bit MSP430 devices are not compatible with modules that are assembled/compiled for 20-bit MSPX devices. The linker generates errors if an attempt is made to combine incompatible object files.

### 6.1.2 Large-Data Memory Model

When the `--silicon_version=msp` and `--large_memory_model` options are specified, the compiler supports a large-data memory model for MSP430X devices. The large-data memory model allows data to be located anywhere in the 20-bit address space of the device. This permits applications with larger amounts of data to be run on the MSP430X. The option is only available with a MSP430X device.

Large-data model programs frequently require the use of larger instructions, and require more space to store data pointers. Consequently, large-data model programs are larger than equivalent small-data model programs and small-data model should still be used when possible.

Object files compiled using the large-data model are not compatible with small model object files. Therefore, when building large-data model applications all files must be compiled using the large-data model option. Large-data model run-time-support libraries must be used as well (`rts430xl.lib` and `rts430xl_eh.lib`).

The maximum size of an object (`size_t`) and the maximum difference between two pointers (`ptrdiff_t`) are increased from 16-bits to 32-bits in large-data model. Applications that rely on `size_t` or `ptrdiff_t` to be a specific size may need to be updated.

---

**Note: The Linker Defines the Memory Map**

The linker, not the compiler, defines the memory map and allocates code and data into target memory. The compiler assumes nothing about the types of memory available, about any locations not available for code or data (holes), or about any locations reserved for I/O or control purposes. The compiler produces relocatable code that allows the linker to allocate code and data into the appropriate memory spaces.

For example, you can use the linker to allocate global variables into on-chip RAM or to allocate executable code into external ROM. You can allocate each block of code or data individually into memory, but this is not a general practice (an exception to this is memory-mapped I/O, although you can access physical memory locations with C/C++ pointer types).

---

### 6.1.3 Sections

The compiler produces relocatable blocks of code and data called *sections*. The sections are allocated into memory in a variety of ways to conform to a variety of system configurations. For more information about sections and allocating them, see the introductory object module information in the *MSP430 Assembly Language Tools User's Guide*.

There are two basic types of sections:

- **Initialized sections** contain data or executable code. The C/C++ compiler creates the following initialized sections:
  - The **.cinit section** and the **.pinit section** contain tables for initializing variables and constants.
  - The **.const section** contains string constants, switch tables, and data defined with the C/C++ qualifier *const* (provided the constant is not also defined as *volatile*).
  - The **.text section** contains executable code as well as string literals and compiler-generated constants.
- **Uninitialized sections** reserve space in memory (usually RAM). A program can use this space at run time to create and store variables. The compiler creates the following uninitialized sections:
  - The **.bss section** reserves space for global and static variables. At boot or load time, the C/C++ boot routine or the loader copies data out of the .cinit section (which can be in ROM) and uses it for initializing variables in the .bss section.
  - The **.stack section** reserves memory for the C/C++ software stack.
  - The **.systemem section** reserves space for dynamic memory allocation. The reserved space is used by dynamic memory allocation routines, such as malloc, calloc, realloc, or new. If a C/C++ program does not use these functions, the compiler does not create the .systemem section.

The assembler creates the default sections .text, .bss, and .data. The C/C++ compiler, however, does not use the .data section. You can instruct the compiler to create additional sections by using DATA\_SECTION pragma (see [Section 5.8.4](#)).

The linker takes the individual sections from different modules and combines sections that have the same name. The resulting output sections and the appropriate placement in memory for each section are listed in [Table 6-1](#). You can place these output sections anywhere in the address space as needed to meet system requirements.

**Table 6-1. Summary of Sections and Memory Placement**

| Section | Type of Memory | Section   | Type of Memory |
|---------|----------------|-----------|----------------|
| .bss    | RAM            | .pinit    | ROM or RAM     |
| .cinit  | ROM or RAM     | .stack    | RAM            |
| .const  | ROM or RAM     | .systemem | RAM            |
| .data   | ROM or RAM     | .text     | ROM or RAM     |

You can use the SECTIONS directive in the linker command file to customize the section-allocation process. For more information about allocating sections into memory, see the linker description chapter in the *MSP430 Assembly Language Tools User's Guide*.

### 6.1.4 C/C++ Software Stack

The C/C++ compiler uses a stack to:

- Allocate local variables
- Pass arguments to functions
- Save register contents

The run-time stack grows from the high addresses to the low addresses. The compiler uses the R13 register to manage this stack. R13 is the *stack pointer* (SP), which points to the next unused location on the stack.

The linker sets the stack size, creates a global symbol, `__STACK_SIZE`, and assigns it a value equal to the stack size in bytes. The default stack size is 2048 bytes. You can change the stack size at link time by using the `--stack_size` option with the linker command. For more information on the `--stack_size` option, see [Section 4.2](#).

---

#### Save-On-Entry Registers and C/C+ Stack Size

**Note:** Since register sizes increase for MSP430X devices (specified with `--silicon_version=msp430x`), saving and restoring save-on-entry registers requires 32-bits of stack space for each register saved on the stack. When you are porting code originally written for 16-bit MSP430 devices, you may need to increase the C stack size from previous values.

---

At system initialization, SP is set to a designated address for the top of the stack. This address is the first location past the end of the `.stack` section. Since the position of the stack depends on where the `.stack` section is allocated, the actual address of the stack is determined at link time.

The C/C++ environment automatically decrements SP at the entry to a function to reserve all the space necessary for the execution of that function. The stack pointer is incremented at the exit of the function to restore the stack to the state before the function was entered. If you interface assembly language routines to C/C++ programs, be sure to restore the stack pointer to the same state it was in before the function was entered.

For more information about using the stack pointer, see [Section 6.3](#); for more information about the stack, see [Section 6.4](#).

---

#### Note: Stack Overflow

The compiler provides no means to check for stack overflow during compilation or at run time. A stack overflow disrupts the run-time environment, causing your program to fail. Be sure to allow enough space for the stack to grow.

---

### 6.1.5 Dynamic Memory Allocation

The run-time-support library supplied with the MSP430 compiler contains several functions (such as `malloc`, `calloc`, and `realloc`) that allow you to allocate memory dynamically for variables at run time.

Memory is allocated from a global pool, or heap, that is defined in the `.system` section. You can set the size of the `.system` section by using the `--heap_size=size` option with the linker command. The linker also creates a global symbol, `__SYSTEM_SIZE`, and assigns it a value equal to the size of the heap in bytes. The default size is 128 bytes. For more information on the `--heap_size` option, see [Section 4.2](#).

Dynamically allocated objects are not addressed directly (they are always accessed with pointers) and the memory pool is in a separate section (`.system`); therefore, the dynamic memory pool can have a size limited only by the amount of available memory in your system. To conserve space in the `.bss` section, you can allocate large arrays from the heap instead of defining them as global or static. For example, instead of a definition such as:

```
struct big table[100];
```

use a pointer and call the `malloc` function:

```
struct big *table
table = (struct big *)malloc(100*sizeof(struct big));
```



### 6.1.6 Initialization of Variables

The C/C++ compiler produces code that is suitable for use as firmware in a ROM-based system. In such a system, the initialization tables in the .cinit section are stored in ROM. At system initialization time, the C/C++ boot routine copies data from these tables (in ROM) to the initialized variables in .bss (RAM).

In situations where a program is loaded directly from an object file into memory and run, you can avoid having the .cinit section occupy space in memory. A loader can read the initialization tables directly from the object file (instead of from ROM) and perform the initialization directly at load time instead of at run time. You can specify this to the linker by using the `--ram_model` link option. For more information, see [Section 6.9](#).

## 6.2 Object Representation

This section explains how various data objects are sized, aligned, and accessed.

### 6.2.1 Data Type Storage

[Table 6-2](#) lists register and memory storage for various data types:

**Table 6-2. Data Representation in Registers and Memory**

| Data Type                                                      | Register Storage                                      | Memory Storage                                                                                                                                                                         |
|----------------------------------------------------------------|-------------------------------------------------------|----------------------------------------------------------------------------------------------------------------------------------------------------------------------------------------|
| char, signed char                                              | Bits 0-7 of register <sup>(1)</sup>                   | 8 bits aligned to 8-bit boundary                                                                                                                                                       |
| unsigned char, bool                                            | Bits 0-7 of register                                  | 8 bits aligned to 8-bit boundary                                                                                                                                                       |
| short, signed short                                            | Bits 0-15 of register <sup>(1)</sup>                  | 16 bits aligned to 16-bit (word) boundary                                                                                                                                              |
| unsigned short, wchar_t                                        | Bits 0-15 of register                                 | 16 bits aligned to 16-bit (word) boundary                                                                                                                                              |
| int, signed int                                                | Bits 0-15 of register                                 | 16 bits aligned to 16-bit (word) boundary                                                                                                                                              |
| unsigned int                                                   | Bits 0-15 of register                                 | 16 bits aligned to 16-bit (word) boundary                                                                                                                                              |
| enum                                                           | Bits 0-15 of register                                 | 16 bits aligned to 16-bit (word) boundary                                                                                                                                              |
| long, signed long                                              | Register pair                                         | 32 bits aligned to 16-bit (word) boundary                                                                                                                                              |
| unsigned long                                                  | Register pair                                         | 32 bits aligned to 16-bit (word) boundary                                                                                                                                              |
| float                                                          | Register pair                                         | 32 bits aligned to 16-bit (word) boundary                                                                                                                                              |
| double                                                         | Register pair                                         | 32 bits aligned to 16-bit (word) boundary                                                                                                                                              |
| long double                                                    | Register pair                                         | 32 bits aligned to 16-bit (word) boundary                                                                                                                                              |
| struct                                                         | Members are stored as their individual types require. | Members are stored as their individual types require; aligned according to the member with the most restrictive alignment requirement.                                                 |
| array                                                          | Members are stored as their individual types require. | Members are stored as their individual types require; aligned to 32-bit (word) boundary. All arrays inside a structure are aligned according to the type of each element in the array. |
| pointer to data member                                         | Bits 0-15 of register                                 | 16 bits aligned to 16-bit (word) boundary                                                                                                                                              |
| MSP430X large-data model pointer to data member <sup>(2)</sup> | Bits 0-20 of register                                 | 32 bits aligned to 16-bit (word) boundary                                                                                                                                              |
| MSP430 pointer to function                                     | Bits 0-15 of register                                 | 16 bits aligned to 16-bit (word) boundary                                                                                                                                              |
| MSP430X <sup>(3)</sup> pointer to function                     | Bits 0-20 of register                                 | 32 bits aligned to 16-bit (word) boundary                                                                                                                                              |

<sup>(1)</sup> Negative values are sign-extended to bit 15.

<sup>(2)</sup> MSP430X large-data model is specified by `--silicon_version=msp430x --large_memory_model`

<sup>(3)</sup> MSP430X is specified with the `—silicon_version=msp430x` option.

### 6.2.1.1 Pointer to Member Function Types

Pointer to member function objects are stored as a structure with three members, and the layout is equivalent to:

```
struct {
 short int d;
 short int I;
 union {
 void (f) ();
 long 0; }
};
```

The parameter *d* is the offset to be added to the beginning of the class object for this pointer. The parameter *I* is the index into the virtual function table, offset by 1. The index enables the NULL pointer to be represented. Its value is -1 if the function is nonvirtual. The parameter *f* is the pointer to the member function if it is nonvirtual, when *I* is 0. The 0 is the offset to the virtual function pointer within the class object.

### 6.2.1.2 Structure and Array Alignment

Structures are aligned according to the member with the most restrictive alignment requirement. Structures do not contain padding after the last member. Arrays are always word aligned. Elements of arrays are stored in the same manner as if they were individual objects.

### 6.2.1.3 Field/Structure Alignment

When the compiler allocates space for a structure, it allocates as many words as are needed to hold all of the structure's members and to comply with alignment constraints for each member.

When a structure contains a 32-bit (long) member, the long is aligned to a 1-word (16-bit) boundary. This may require padding before, inside, or at the end of the structure to ensure that the long is aligned accordingly and that the sizeof value for the structure is an even value.

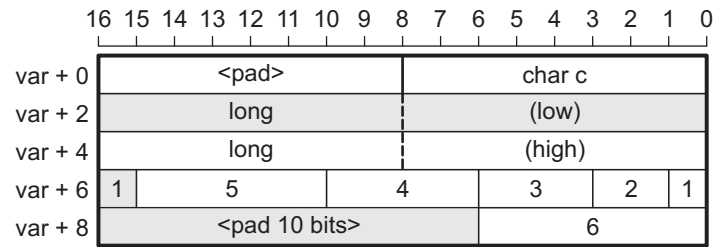
All non-field types are aligned on word or byte boundaries. Fields are allocated as many bits as requested. Adjacent fields are packed into adjacent bits of a word, but they do not overlap words. If a field would overlap into the next word, the entire field is placed into the next word.

Fields are packed as they are encountered; the least significant bits of the structure word are filled first. [Example 6-1](#) shows the C code definition of *var* while [Figure 6-1](#) shows the memory layout of *var*.

#### **Example 6-1. C Code Definition of *var***

```
struct example {
 char c;
 long l;
 int bf1:1;
 int bf2:2;
 int bf3:3;
 int bf4:4;
 int bf5:5;
 int bf6:6;
};
```

Figure 6-1. Memory Layout of var



### 6.2.2 Character String Constants

In C, a character string constant is used in one of the following ways:

- To initialize an array of characters. For example:

```
char s[] = "abc";
```

When a string is used as an initializer, it is simply treated as an initialized array; each character is a separate initializer. For more information about initialization, see [Section 6.9](#).

- In an expression. For example:

```
strcpy (s, "abc");
```

When a string is used in an expression, the string itself is defined in the `.const` section with the `.string` assembler directive, along with a unique label that points to the string; the terminating 0 byte is included. For example, the following lines define the string `abc`, and the terminating 0 byte (the label `SL5` points to the string):

```
.sect ".const"
SL5: .string "abc",0
```

String labels have the form `SLn`, where `n` is a number assigned by the compiler to make the label unique. The number begins at 0 and is increased by 1 for each string defined. All strings used in a source module are defined at the end of the compiled assembly language module.

The label `SLn` represents the address of the string constant. The compiler uses this label to reference the string expression.

Because strings are stored in the `.const` section (possibly in ROM) and shared, it is bad practice for a program to modify a string constant. The following code is an example of incorrect string use:

```
const char *a = "abc"
a[1] = 'x'; /* Incorrect! */
```

### 6.3 Register Conventions

Strict conventions associate specific registers with specific operations in the C/C++ environment. If you plan to interface an assembly language routine to a C/C++ program, you must understand and follow these register conventions.

The register conventions dictate how the compiler uses registers and how values are preserved across function calls. [Table 6-3](#) shows the types of registers affected by these conventions. [Table 6-4](#) summarizes how the compiler uses registers and whether their values are preserved across calls. For information about how values are preserved across calls, see [Section 6.4](#).

**Table 6-3. How Register Types Are Affected by the Conventions**

| Register Type       | Description                                                                               |
|---------------------|-------------------------------------------------------------------------------------------|
| Argument register   | Passes arguments during a function call                                                   |
| Return register     | Holds the return value from a function call                                               |
| Expression register | Holds a value                                                                             |
| Argument pointer    | Used as a base value from which a function's parameters (incoming arguments) are accessed |
| Stack pointer       | Holds the address of the top of the software stack                                        |
| Program counter     | Contains the current address of code being executed                                       |

**Table 6-4. Register Usage and Preservation Conventions**

| Register | Alias | Usage                                                  | Preserved by Function <sup>(1)</sup> |
|----------|-------|--------------------------------------------------------|--------------------------------------|
| R0       | PC    | Program counter                                        | N/A                                  |
| R1       | SP    | Stack pointer                                          | N/A <sup>(2)</sup>                   |
| R2       | SR    | Status register                                        | N/A                                  |
| R3       |       | Constant generator                                     | N/A                                  |
| R4-R10   |       | Expression register                                    | Child                                |
| R11      |       | Expression register                                    | Parent                               |
| R12      |       | Expression register, argument pointer, return register | Parent                               |
| R13      |       | Expression register, argument pointer, return register | Parent                               |
| R14      |       | Expression register, argument pointer                  | Parent                               |
| R15      |       | Expression register, argument pointer                  | Parent                               |

<sup>(1)</sup> The parent function refers to the function making the function call. The child function refers to the function being called.

<sup>(2)</sup> The SP is preserved by the convention that everything pushed on the stack is popped off before returning.

## 6.4 Function Structure and Calling Conventions

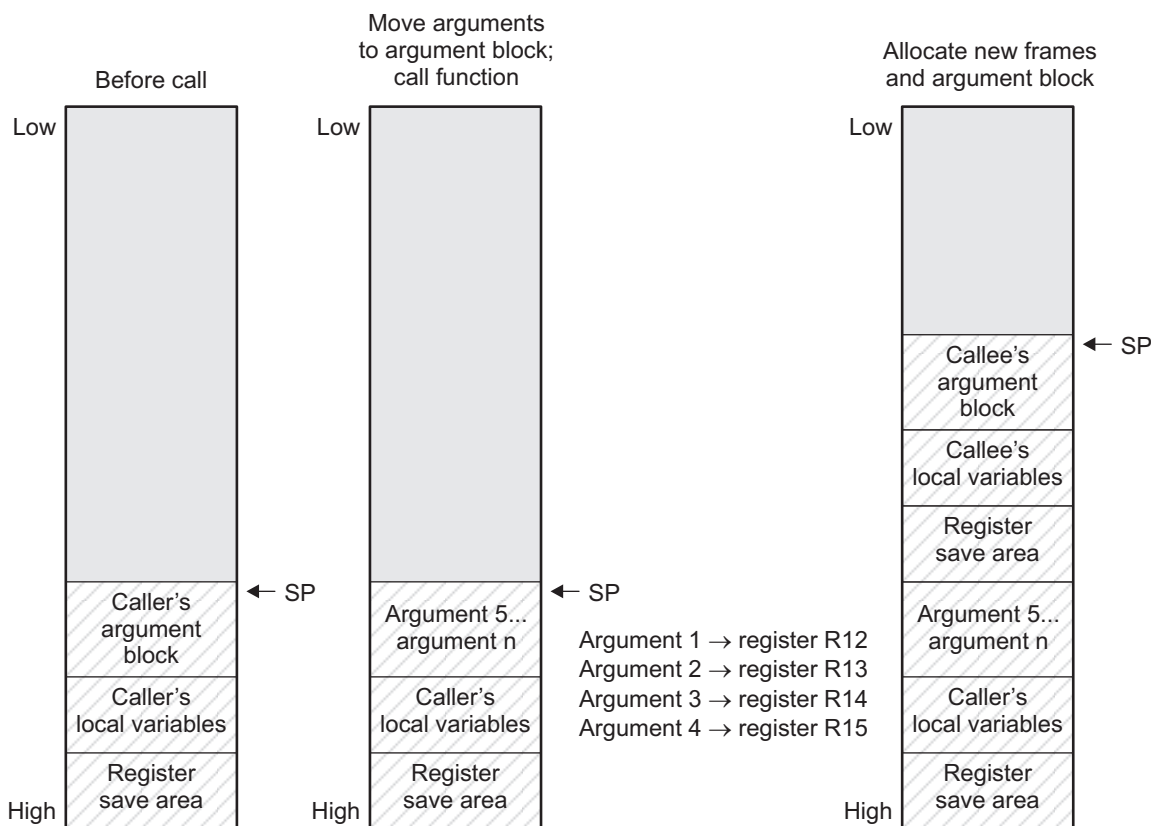
The C/C++ compiler imposes a strict set of rules on function calls. Except for special run-time support functions, any function that calls or is called by a C/C++ function must follow these rules. Failure to adhere to these rules can disrupt the C/C++ environment and cause a program to fail.

The following sections use this terminology to describe the function-calling conventions of the C/C++ compiler:

- **Argument block.** The part of the local frame used to pass arguments to other functions. Arguments are passed to a function by moving them into the argument block rather than pushing them on the stack. The local frame and argument block are allocated at the same time.
- **Register save area.** The part of the local frame that is used to save the registers when the program calls the function and restore them when the program exits the function.
- **Save-on-call registers.** Registers R11-R15. The called function does not preserve the values in these registers; therefore, the calling function must save them if their values need to be preserved.
- **Save-on-entry registers.** Registers R4-R10. It is the called function's responsibility to preserve the values in these registers. If the called function modifies these registers, it saves them when it gains control and preserves them when it returns control to the calling function.

Figure 6-2 illustrates a typical function call. In this example, arguments are passed to the function, and the function uses local variables and calls another function. The first four arguments are passed to registers R12-R15. This example also shows allocation of a local frame and argument block for the called function. Functions that have no local variables and do not require an argument block do not allocate a local frame.

**Figure 6-2. Use of the Stack During a Function Call**



### 6.4.1 How a Function Makes a Call

A function (parent function) performs the following tasks when it calls another function (child function):

1. The calling function (parent) is responsible for preserving any save-on-call registers across the call that are live across the call. (The save-on-call registers are R11-R15.)
2. If the called function (child) returns a structure, the caller allocates space for the structure and passes the address of that space to the called function as the first argument.
3. The caller places the first arguments in registers R12-R15, in that order. The caller moves the remaining arguments to the argument block in reverse order, placing the leftmost remaining argument at the lowest address. Thus, the leftmost remaining argument is placed at the top of the stack.
4. The caller calls the function.

### 6.4.2 How a Called Function Responds

A called function (child function) must perform the following tasks:

1. If the function is declared with an ellipsis, it can be called with a variable number of arguments. The called function pushes these arguments on the stack if they meet both of these criteria:
  - The argument includes or follows the last explicitly declared argument.
  - The argument is passed in a register.
2. The called function pushes register values of all the registers that are modified by the function and that must be preserved upon exit of the function onto the stack. Normally, these registers are the save-on-entry registers (R4-R10) if the function contains calls. If the function is an interrupt, additional registers may need to be preserved. For more information, see [Section 6.6](#).
3. The called function allocates memory for the local variables and argument block by subtracting a constant from the SP. This constant is computed with the following formula:

$$\text{size of all local variables} + \text{max} = \text{constant}$$

The *max* argument specifies the size of all parameters placed in the argument block for each call.

4. The called function executes the code for the function.
5. If the called function returns a value, it places the value in R12 (or R12 and R13 values).
6. If the called function returns a structure, it copies the structure to the memory block that the first argument, R12, points to. If the caller does not use the return value, R12 is set to 0. This directs the called function not to copy the return structure.

In this way, the caller can be smart about telling the called function where to return the structure. For example, in the statement  $s = f(x)$ , where  $s$  is a structure and  $f$  is a function that returns a structure, the caller can simply pass the address of  $s$  as the first argument and call  $f$ . The function  $f$  then copies the return structure directly into  $s$ , performing the assignment automatically.

You must be careful to properly declare functions that return structures, both at the point where they are called (so the caller properly sets up the first argument) and at the point where they are declared (so the function knows to copy the result).

7. The called function deallocates the frame and argument block by adding the constant computed in [Step 3](#).
8. The called function restores all registers saved in [Step 2](#).
9. The called function (`_f`) returns.

The following example is typical of how a called function responds to a call:

```
func: ; Called function entry point
 PUSH.W r10
 PUSH.W r9 ; Save SOE registers
 SUB.W #2,SP ; Allocate the frame
 :
 : ; Body of function
 :
 ADD.W #2,SP ; Deallocate the frame
 POP r9 ; Restore SOE registers
 POP r10
 RET
```

### 6.4.3 Accessing Arguments and Local Variables

A function accesses its local nonregister variables indirectly through the stack pointer (SP or R1) and its stack arguments. The SP always points to the top of the stack (points to the most recently pushed value).

Since the stack grows toward smaller addresses, the local data on the stack for the C/C++ function is accessed with a positive offset from the SP register.

## 6.5 Interfacing C and C++ With Assembly Language

The following are ways to use assembly language with C/C++ code:

- Use separate modules of assembled code and link them with compiled C/C++ modules (see [Section 6.5.1](#)).
- Use assembly language variables and constants in C/C++ source (see [Section 6.5.2](#)).
- Use inline assembly language embedded directly in the C/C++ source (see [Section 6.5.4](#)).

### 6.5.1 Using Assembly Language Modules With C/C++ Code

Interfacing C/C++ with assembly language functions is straightforward if you follow the calling conventions defined in [Section 6.4](#), and the register conventions defined in [Section 6.3](#). C/C++ code can access variables and call functions defined in assembly language, and assembly code can access C/C++ variables and call C/C++ functions.

Follow these guidelines to interface assembly language and C:

- You must preserve any dedicated registers modified by a function. Dedicated registers include:
  - Save-on-entry registers (R4-R10)
  - Stack pointer (SP or R1)

If the SP is used normally, it does not need to be explicitly preserved. In other words, the assembly function is free to use the stack as long as anything that is pushed onto the stack is popped back off before the function returns (thus preserving SP).

Any register that is not dedicated can be used freely without first being saved.

- Interrupt routines must save *all* the registers they use. For more information, see [Section 6.6](#).
- When you call a C/C++ function from assembly language, load the designated registers with arguments and push the remaining arguments onto the stack as described in [Section 6.4.1](#). Remember that a function can alter any register not designated as being preserved without having to restore it. If the contents of any of these registers must be preserved across the call, you must explicitly save them.
- Functions must return values correctly according to their C/C++ declarations. Double values are returned in R12 and R13, and structures are returned as described in [Step 1 of Section 6.4.1](#). Any other values are returned in R12.
- No assembly module should use the `.cinit` section for any purpose other than autoinitialization of global variables. The C/C++ startup routine assumes that the `.cinit` section consists *entirely* of initialization tables. Disrupting the tables by putting other information in `.cinit` can cause unpredictable results.
- The compiler assigns linknames to all external objects. Thus, when you are writing assembly language code, you must use the same linknames as those assigned by the compiler. See [Section 5.10](#) for more information.

For identifiers to be used only in an assembly language module, ensure that they do not conflict with a C/C++ identifier. Use a \$ or a consistent prefix naming convention to create a different namespace for assembly identifiers.

- Any object or function declared in assembly language that is accessed or called from C/C++ must be declared with the `.def` or `.global` directive in the assembly language modifier. This declares the symbol as external and allows the linker to resolve references to it.

Likewise, to access a C/C++ function or object from assembly language, declare the C/C++ object with the `.ref` or `.global` directive in the assembly language module. This creates an undeclared external reference that the linker resolves.

- Any assembly routines that interface with MSP430x C programs are required to conform to the large-code model:
  - Use CALLA/RETA instead of CALL/RET
  - Use PUSHM.A/POPM.A to save and restore any used save-on-entry registers. The entire 20-bit register must be saved/restored.
  - Manipulation of function pointers requires 20-bit operations (OP.A)
  - If interfacing with C code compiled for the large-data model, data pointer manipulation must be performed using 20-bit operations (OP.A).

**Example 6-2** illustrates a C++ function called `main`, which calls an assembly language function called `asmfunc`, **Example 6-3**. The `asmfunc` function takes its single argument, adds it to the C++ global variable called `gvar`, and returns the result.

### **Example 6-2. Calling an Assembly Language Function From C/C++ C Program**

```
extern "C" {
extern int asmfunc(int a); /* declare external asm function */
int gvar = 0; /* define global variable */
}

void main()
{
 int I = 5;

 I = asmfunc(I); /* call function normally */
}
```

### **Example 6-3. Assembly Language Program Called by Example 6-2**

```
.global asmfunc
.global gvar
asmfunc:
 MOV &gvar,R11
 ADD R11,R12
 RET
```

In the C++ program in **Example 6-2**, the `extern "C"` declaration tells the compiler to use C naming conventions (i.e., no name mangling). When the linker resolves the `.global asmfunc` reference, the corresponding definition in the assembly file will match.

The parameter `I` is passed in `R12`, and the result is returned in `R12`.

## **6.5.2 Accessing Assembly Language Variables From C/C++**

It is sometimes useful for a C/C++ program to access variables or constants defined in assembly language. There are several methods that you can use to accomplish this, depending on where and how the item is defined: a variable defined in the `.bss` section, a variable not defined in the `.bss` section, or a constant.

### **6.5.2.1 Accessing Assembly Language Global Variables**

Accessing uninitialized variables from the `.bss` section or a section named with `.usect` is straightforward:

1. Use the `.bss` or `.usect` directive to define the variable.
2. Use the `.def` or `.global` directive to make the definition external.
3. Use the appropriate linkname in assembly language.
4. In C/C++, declare the variable as *extern* and access it normally.

**Example 6-5** and **Example 6-4** show how you can access a variable defined in `.bss`.



### Example 6-4. Assembly Language Variable Program

```
* Note the use of underscores in the following lines

 .bss var,4,4 ; Define the variable
 .global var ; Declare it as external
```

### Example 6-5. C Program to Access Assembly Language From [Example 6-4](#)

```
extern int var; /* External variable */
var = 1; /* Use the variable */
```

## 6.5.2.2 Accessing Assembly Language Constants

You can define global constants in assembly language by using the `.set`, `.def`, and `.global` directives, or you can define them in a linker command file using a linker assignment statement. These constants are accessible from C/C++ only with the use of special operators.

For normal variables defined in C/C++ or assembly language, the symbol table contains the *address of the value* of the variable. For assembler constants, however, the symbol table contains the *value* of the constant. The compiler cannot tell which items in the symbol table are values and which are addresses.

If you try to access an assembler (or linker) constant by name, the compiler attempts to fetch a value from the address represented in the symbol table. To prevent this unwanted fetch, you must use the `&` (address of) operator to get the value. In other words, if `x` is an assembly language constant, its value in C/C++ is `&x`.

You can use casts and `#defines` to ease the use of these symbols in your program, as in [Example 6-6](#) and [Example 6-7](#).

### Example 6-6. Accessing an Assembly Language Constant From C

```
extern int table_size; /*external ref */
#define TABLE_SIZE ((int) (&table_size))
 . /* use cast to hide address-of */
 .
 .
for (I=0; I<TABLE_SIZE; ++I) /* use like normal symbol */
```

### Example 6-7. Assembly Language Program for [Example 6-6](#)

```
_table_size .set 10000 ; define the constant
 .global _table_size ; make it global
```

Because you are referencing only the symbol's value as stored in the symbol table, the symbol's declared type is unimportant. In [Example 6-6](#), `int` is used. You can reference linker-defined symbols in a similar manner.

## 6.5.3 Sharing C/C++ Header Files With Assembly Source

You can use the `.cdecls` assembler directive to share C headers containing declarations and prototypes between C and assembly code. Any legal C/C++ can be used in a `.cdecls` block and the C/C++ declarations will cause suitable assembly to be generated automatically, allowing you to reference the C/C++ constructs in assembly code. For more information, see the C/C++ header files chapter in the *MSP430 Assembly Language Tools User's Guide*.

### 6.5.4 Using Inline Assembly Language

Within a C/C++ program, you can use the `asm` statement to insert a single line of assembly language into the assembly language file created by the compiler. A series of `asm` statements places sequential lines of assembly language into the compiler output with no intervening code. For more information, see [Section 5.7](#).

The `asm` statement is useful for inserting comments in the compiler output. Simply start the assembly code string with a semicolon (;) as shown below:

```
asm(" ;*** this is an assembly language comment");
```

---

**Note: Using the `asm` Statement**

Keep the following in mind when using the `asm` statement:

- Be extremely careful not to disrupt the C/C++ environment. The compiler does not check or analyze the inserted instructions.
  - Avoid inserting jumps or labels into C/C++ code because they can produce unpredictable results by confusing the register-tracking algorithms that the code generator uses.
  - Do not change the value of a C/C++ variable when using an `asm` statement. This is because the compiler does not verify such statements. They are inserted as is into the assembly code, and potentially can cause problems if you are not sure of their effect.
  - Do not use the `asm` statement to insert assembler directives that change the assembly environment.
  - Avoid creating assembly macros in C code and compiling with the `--symdebug:dwarf` (or `-g`) option. The C environment's debug information and the assembly macro expansion are not compatible.
- 

## 6.6 Interrupt Handling

As long as you follow the guidelines in this section, you can interrupt and return to C/C++ code without disrupting the C/C++ environment. When the C/C++ environment is initialized, the startup routine does not enable or disable interrupts. If the system is initialized by way of a hardware reset, interrupts are disabled. If your system uses interrupts, you must handle any required enabling or masking of interrupts. Such operations have no effect on the C/C++ environment and are easily incorporated with `asm` statements or calling an assembly language function.

### 6.6.1 Saving Registers During Interrupts

When C/C++ code is interrupted, the interrupt routine must preserve the contents of all machine registers that are used by the routine or by any functions called by the routine. Register preservation must be explicitly handled by the interrupt routine.

### 6.6.2 Using C/C++ Interrupt Routines

A C/C++ interrupt routine is like any other C/C++ function in that it can have local variables and register variables. Except for software interrupt routines, an interrupt routine must be declared with no arguments and must return `void`. For example:

A C/C++ interrupt routine is like any other C/C++ function in that it can have local variables and register variables. Except for software interrupt routines, an interrupt routine must be declared with no arguments and must return `void`. For example:

```
interrupt void example (void)
{
 ...
}
```

If a C/C++ interrupt routine does not call any other functions, only those registers that the interrupt handler uses are saved and restored. However, if a C/C++ interrupt routine does call other functions, these functions can modify unknown registers that the interrupt handler does not use. For this reason, the routine saves all the save-on-call registers if any other functions are called. (This excludes banked registers.) Do not call interrupt handling functions directly.

Interrupts can be handled directly with C/C++ functions by using the interrupt pragma or the interrupt keyword. For information, see [Section 5.8.11](#) and [Section 5.4.2](#), respectively.

### 6.6.3 Using Assembly Language Interrupt Routines

You can handle interrupts with assembly language code as long as you follow the same register conventions the compiler does. Like all assembly functions, interrupt routines can use the stack, access global C/C++ variables, and call C/C++ functions normally. When calling C/C++ functions, be sure that any save-on-call registers are preserved before the call because the C/C++ function can modify any of these registers. You do not need to save save-on-entry registers because they are preserved by the called C/C++ function.

### 6.6.4 Interrupt Vectors

The interrupt vectors for the MSP430 and MSP430X devices are 16 bits. Therefore, interrupt service routines (ISR's) must be placed into the low 64K of memory. Convenience macros are provided in the MSP430X device headers file to declare interrupts to ensure 16-bit placement when linking.

Alternatively, use the `CODE_SECTIONS` pragma to place the code for ISRs into sections separate from the default `.text` sections. Use the linker command file and the `SECTIONS` directive to ensure the code sections associated with ISRs are placed into low memory.

### 6.6.5 Other Interrupt Information

An interrupt routine can perform any task performed by any other function, including accessing global variables, allocating local variables, and calling other functions.

When you write interrupt routines, keep the following points in mind:

- It is your responsibility to handle any special masking of interrupts.
- A C/C++ interrupt routine cannot be called explicitly.
- In a system reset interrupt, such as `c_int00`, you cannot assume that the run-time environment is set up; therefore, you *cannot allocate local variables*, and you *cannot save any information on the run-time stack*.
- In assembly language, remember to precede the name of a C/C++ interrupt with the appropriate linkname. For example, refer to `c_int00` as `_c_int00`.

## 6.7 Intrinsic Run-Time-Support Arithmetic and Conversion Routines

The intrinsic run-time-support library contains a number of assembly language routines that provide arithmetic and conversion capability for C/C++ operations that the 32-bit and 16-bit instruction sets do not provide. These routines include integer division, integer modulus, and floating-point operations.

The source files for these functions are in the `rts.src` library. The source code has comments that describe the operation of the functions. You can extract, inspect, and modify any of these functions.

The run-time-support routines follow the register calling conventions described in [Section 6.3](#), except for the following:

- **Integer modulus routines.** The return value for 8 and 16-bit integer modulus is placed in R14. The return value for 32-bit integer modulus is placed in R14/R15.
- **Floating compare.** The result of a floating point compare is represented by the status register.

## 6.8 Using Intrinsics to Access Assembly Language Statements

The compiler recognizes a number of intrinsic operators. Intrinsics are used like functions and produce assembly language statements that would otherwise be inexpressible in C/C++. You can use C/C++ variables with these intrinsics, just as you would with any normal function. The intrinsics are specified with a leading underscore, and are accessed by calling them as you do a function. For example:

```
short state;
:
state = __get_SR_register();
```

No declaration of the intrinsic functions is necessary.

### 6.8.1 MSP430 Intrinsics

Table 6-5 lists all of the intrinsic operators in the MSP430 C/C++ compiler. A function-like prototype is presented for each intrinsic that shows the expected type for each parameter. If the argument type does not match the parameter, type conversions are performed on the argument.

For more information on the resulting assembly language mnemonics, see the *MSP430x1xx Family User's Guide*, the *MSP430x3xx Family User's Guide*, and the *MSP430x4xx Family User's Guide*.

**Table 6-5. MSP430 Intrinsics**

| Intrinsic                                                                                                     | Generated Assembly                                                                                                                                             |
|---------------------------------------------------------------------------------------------------------------|----------------------------------------------------------------------------------------------------------------------------------------------------------------|
| unsigned short    __bcd_add_short(unsigned short <i>op1</i> , unsigned short <i>op2</i> );                    | MOV <i>op1</i> , <i>dst</i><br>CLRC<br>DADD <i>op2</i> , <i>dst</i>                                                                                            |
| unsigned long     __bcd_add_long(unsigned long <i>op1</i> , unsigned long <i>op2</i> );                       | MOV <i>op1_low</i> , <i>dst_low</i><br>MOV <i>op1_hi</i> , <i>dst_hi</i><br>CLRC<br>DADD <i>op2_low</i> , <i>dst_low</i><br>DADD <i>op2_hi</i> , <i>dst_hi</i> |
| unsigned short    __bic_SR_register(unsigned short <i>mask</i> );                                             | BIC <i>mask</i> , SR                                                                                                                                           |
| unsigned short    __bic_SR_register_on_exit(unsigned short <i>mask</i> );                                     | BIC <i>mask</i> , saved_SR                                                                                                                                     |
| unsigned short    __bis_SR_register(unsigned short <i>mask</i> );                                             | BIS <i>mask</i> , SR                                                                                                                                           |
| unsigned short    __bis_SR_register_on_exit(unsigned short <i>mask</i> );                                     | BIS <i>mask</i> , saved_SR                                                                                                                                     |
| unsigned long     __data16_read_addr(unsigned short <i>addr</i> );                                            | MOV.W <i>addr</i> , Rx<br>MOVA 0(Rx), <i>dst</i>                                                                                                               |
| void             __data16_write_addr (unsigned short <i>addr</i> , unsigned long <i>src</i> );                | MOV.W <i>addr</i> , Rx<br>MOVA <i>src</i> , 0(Rx)                                                                                                              |
| unsigned char     __data20_read_char(unsigned long <i>addr</i> ); <sup>(1)</sup>                              | MOVA <i>addr</i> , Rx<br>MOVX.B 0(Rx), <i>dst</i>                                                                                                              |
| unsigned long     __data20_read_long(unsigned long <i>addr</i> ); <sup>(1)</sup>                              | MOVA <i>addr</i> , Rx<br>MOVX.W 0(Rx), <i>dst.lo</i><br>MOVX.W 2(Rx), <i>dst.hi</i>                                                                            |
| unsigned short    __data20_read_short(unsigned long <i>addr</i> ); <sup>(1)</sup>                             | MOVA <i>addr</i> , Rx<br>MOVX.W 0(Rx), <i>dst</i>                                                                                                              |
| void             __data20_write_char(unsigned long <i>addr</i> , unsigned char <i>src</i> ); <sup>(1)</sup>   | MOVA <i>addr</i> , Rx<br>MOVX.B <i>src</i> , 0(Rx)                                                                                                             |
| void             __data20_write_long(unsigned long <i>addr</i> , unsigned long <i>src</i> ); <sup>(1)</sup>   | MOVA <i>addr</i> , Rx<br>MOVX.W <i>src.lo</i> , 0(Rx)<br>MOVX.W <i>src.hi</i> , 2(Rx)                                                                          |
| void             __data20_write_short(unsigned long <i>addr</i> , unsigned short <i>src</i> ); <sup>(1)</sup> | MOVA <i>addr</i> , Rx<br>MOVX.W <i>src</i> , 0(Rx)                                                                                                             |
| void             __delay_cycles(unsigned long);                                                               | See <a href="#">Section 6.8.2</a> .                                                                                                                            |
| void             __disable_interrupt(void);<br>OR<br>__disable_interrupts(void);                              | DINT                                                                                                                                                           |

<sup>(1)</sup> Intrinsic encodes multiple instructions depending on the code. The most common instructions produced are presented here.

**Table 6-5. MSP430 Intrinsics (continued)**

| Intrinsic      |                                                                                                                                         | Generated Assembly                                        |
|----------------|-----------------------------------------------------------------------------------------------------------------------------------------|-----------------------------------------------------------|
| void           | <code>__enable_interrupt(void);</code><br>OR<br><code>__enable_interrupt(void);</code><br>OR<br><code>__enable_interrupts(void);</code> | EINT                                                      |
| unsigned int   | <code>__even_in_range(unsigned int, unsigned int);</code>                                                                               | See <a href="#">Section 5.8.13</a> .                      |
| unsigned short | <code>__get_interrupt_state(void);</code>                                                                                               | MOV SR, <i>dst</i>                                        |
| unsigned short | <code>__get_R4_register(void);</code>                                                                                                   | MOV.W R4, <i>dst</i>                                      |
| unsigned short | <code>__get_R5_register(void);</code>                                                                                                   | MOV.W R5, <i>dst</i>                                      |
| unsigned short | <code>__get_SP_register(void);</code>                                                                                                   | MOV SP, <i>dst</i>                                        |
| unsigned short | <code>__get_SR_register(void);</code>                                                                                                   | MOV SR, <i>dst</i>                                        |
| unsigned short | <code>__get_SR_register_on_exit(void);</code>                                                                                           | MOV saved_SR, <i>dst</i>                                  |
| void           | <code>__low_power_mode_0(void);</code>                                                                                                  | BIS.W #0x18, SR                                           |
| void           | <code>__low_power_mode_1(void);</code>                                                                                                  | BIS.W #0x58, SR                                           |
| void           | <code>__low_power_mode_2(void);</code>                                                                                                  | BIS.W #0x98, SR                                           |
| void           | <code>__low_power_mode_3(void);</code>                                                                                                  | BIS.W #0xD8, SR                                           |
| void           | <code>__low_power_mode_4(void);</code>                                                                                                  | BIS.W #0xF8, SR                                           |
| void           | <code>__low_power_mode_off_on_exit(void);</code>                                                                                        | BIC.W #0xF0, saved_SR                                     |
| void           | <code>__never_executed(void);</code>                                                                                                    | See <a href="#">Section 6.8.3</a> .                       |
| void           | <code>__no_operation(void);</code>                                                                                                      | NOP                                                       |
| void           | <code>__op_code(unsigned short);</code>                                                                                                 | Encodes whatever instruction corresponds to the argument. |
| void           | <code>__set_interrupt_state(unsigned short <i>src</i>);</code>                                                                          | MOV <i>src</i> , SR                                       |
| void           | <code>__set_R4_register(unsigned short <i>src</i>);</code>                                                                              | MOV.W <i>src</i> , R4                                     |
| void           | <code>__set_R5_register(unsigned short <i>src</i>);</code>                                                                              | MOV.W <i>src</i> , R5                                     |
| void           | <code>__set_SP_register(unsigned short <i>src</i>);</code>                                                                              | MOV <i>src</i> , SP                                       |
| unsigned short | <code>__swap_bytes(unsigned short <i>src</i>);</code>                                                                                   | MOV <i>src</i> , <i>dst</i><br>SWPB <i>dst</i>            |

## 6.8.2 The `__delay_cycle` Intrinsic

The `__delay_cycles` intrinsic inserts code to consume precisely the number of specified cycles with no side effects. The number of cycles delayed must be a compile-time constant.

## 6.8.3 The `__never_executed` Intrinsic

The MSP430 C/C++ Compiler supports a `__never_executed( )` intrinsic that can be used to assert that a default label in a switch block is never executed. If you assert that a default label is never executed the compiler can generate more efficient code based on the values specified in the case labels within a switch block.

### 6.8.3.1 Using `__never_executed` With a Vector Generator

The `__never_executed( )` intrinsic is specifically useful for testing the values of an MSP430 interrupt vector generator such as the vector generator for Timer A (TAIV). MSP430 vector generator values are mapped to an interrupt source and are characterized in that they fall within a specific range and can only take on even values. A common way to handle a particular interrupt source represented in a vector generator is to use a switch statement. However, a compiler is constrained by the C language in that it can make no assumptions about what values a switch expression may have. The compiler will have to generate code to handle every possible value, which leads to what would appear to be inefficient code.

The `_never_executed()` intrinsic can be used to assert to the compiler that a switch expression can only take on values represented by the case labels within a switch block. Having this assertion, the compiler can avoid generating test code for handling values not specified by the switch case labels. Having this assertion is specifically suited for handling values that characterize a vector generator.

[Example 6-8](#) illustrates a switch block that handles the values of the Timer B (TBIV) vector generator.

#### **Example 6-8. TBIV Vector Generator**

```

__interrupt void Timer_B1 (void)
{
 switch(TBIV)
 {
 case 0: break; /* Do nothing */
 case 2: TBCCR1 += 255;
 state +=1;
 break;
 case 4: TBCCR0 = 254;
 TBCCR1 = 159;
 state =200;
 break;
 case 6: break;
 case 8: break;
 case 10: break;
 case 12: break;
 case 14: break;
 default: _never_executed();
 }
}

```

In [Example 6-8](#) using the `_never_executed()` intrinsic asserts that the value of TBIV can only take on the values specified by the case labels, namely the even values from 0 to 14. Normally, the compiler would have to generate code to handle any value which would result in extra range checks. Instead, for this example, the compiler will generate a switch table where the value of TBIV is simply added to the PC to jump to the appropriate code block handling each value represented by the case labels.

### **6.8.3.2 Using `_never_executed` With General Switch Expressions**

Using the `_never_executed()` intrinsic at the default label can also improve the generated switch code for more general switch expressions that do not involve vector generator type values.

#### **Example 6-9. General Switch Statement**

```

switch(val)
{
 case 0:
 case 5: action(a); break;

 case 14: action(b); break;

 default: _never_executed();
}

```

Normally, for the switch expression values 0 and 5, the compiler generates code to test for both 0 and 5 since the compiler must handle the possible values 1–4. The `_never_executed()` intrinsic in [Example 6-9](#) asserts that `val` cannot take on the values 1–4 and therefore the compiler only needs to generate a single test (`val < 6`) to handle both case labels.

Additionally, using the `_never_executed()` intrinsic results in the assertion that if `val` is not 0 or 5 then it has to be 14 and the compiler has no need to generate code to test for `val == 14`.

The `_never_executed()` intrinsic is only defined when specified as the single statement following a default case label. The compiler ignores the use of the intrinsic in any other context.

## 6.9 System Initialization

Before you can run a C/C++ program, the C/C++ run-time environment must be created. The C/C++ boot routine performs this task using a function called `c_int00` (or `_c_int00`). The run-time-support source library contains the source to this routine in a module named `boot.c` (or `boot.asm`).

To begin running the system, the `_c_int00` function can be called by reset hardware. You must link the `_c_int00` function with the other object modules. This occurs automatically when you use the `—rom_model` or `—ram_model` linker function option and include the run-time library as one of the linker input files.

When C/C++ programs are linked, the linker sets the entry point value in the executable output module to the symbol `_c_int00`. The `_c_int00` function performs the following tasks to initialize the C/C++ environment:

1. Reserves space for the user mode run-time stack, and sets up the initial value of the stack pointer (SP)
2. It initializes global variables by copying the data from the initialization tables to the storage allocated for the variables in the `.bss` section. If you are initializing variables at load time (`--ram_model` option), a loader performs this step before the program runs (it is not performed by the boot routine). For more information, see [Section 6.9.3](#).
3. Executes the global constructors found in the global constructors table. For more information, see [Section 6.9.4](#).
4. Calls the function `main` to run the C/C++ program

You can replace or modify the boot routine to meet your system requirements. However, the boot routine *must* perform the operations listed above to correctly initialize the C/C++ environment.

### 6.9.1 System Pre-Initialization

The `_c_int00()` initialization routine also provides a mechanism for an application to perform the MSP430 setup (set I/O registers, enable/disable timers, etc.) before the C/C++ environment is initialized.

Before calling the routine that initializes C/C++ global data and calls any C++ constructors, the boot routine makes a call to the function `_system_pre_init()`. A developer can implement a customized version of `_system_pre_init()` to perform any application-specific initialization before proceeding with C/C++ environment setup. In addition, the default C/C++ data initialization can be bypassed if `_system_pre_init()` returns a 0. By default, `_system_pre_init()` should return a non-zero value.

In order to perform application-specific initializations, you can create a customized version of `_system_pre_init()` and add it to the application project. The customized version will replace the default definition included in the run-time library if it is linked in before the run-time library.

The default stubbed version of `_system_pre_init()` is included with the run-time library. It is located in the file `pre_init.c` and is included in the run-time source library (`rts.src`). The archiver utility (`ar430`) can be used to extract `pre_init.c` from the source library.

### 6.9.2 Run-Time Stack

The run-time stack is allocated in a single continuous block of memory and grows down from high addresses to lower addresses. The SP points to the top of the stack.

The code does not check to see if the run-time stack overflows. Stack overflow occurs when the stack grows beyond the limits of the memory space that was allocated for it. Be sure to allocate adequate memory for the stack.

The stack size can be changed at link time by using the `--stack_size` link option on the linker command line and specifying the stack size as a constant directly after the option.

The C/C++ boot routine shipped with the compiler sets up the user/thread mode run-time stack. If your program uses a run-time stack when it is in other operating modes, you must also allocate space and set up the run-time stack corresponding to those modes.

### 6.9.3 Automatic Initialization of Variables

Any global variables declared as preinitialized must have initial values assigned to them before a C/C++ program starts running. The process of retrieving these variables' data and initializing the variables with the data is called autoinitialization.

The compiler builds tables in a special section called `.cinit` that contains data for initializing global and static variables. Each compiled module contains these initialization tables. The linker combines them into a single table (a single `.cinit` section). The boot routine or a loader uses this table to initialize all the system variables.

---

**Note: Initializing Variables**

In ANSI/ISO C, global and static variables that are not explicitly initialized must be set to 0 before program execution. The C/C++ compiler does not perform any preinitialization of uninitialized variables. Explicitly initialize any variable that must have an initial value of 0.

---

Global variables are either autoinitialized at run time or at load time. For information, see [Section 6.9.6](#) and [Section 6.9.7](#). Also see [Section 5.11](#).

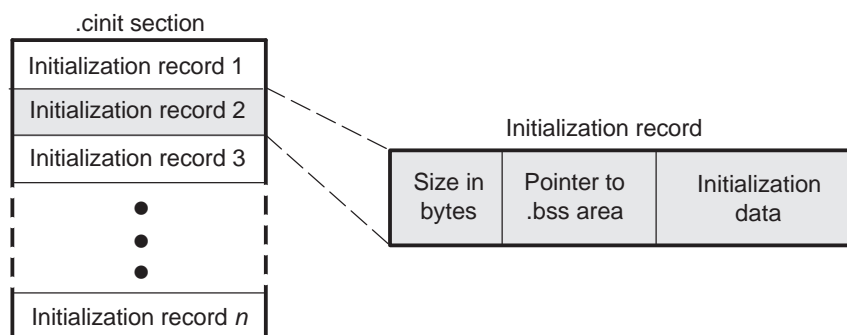
### 6.9.4 Global Constructors

All global C++ variables that have constructors must have their constructor called before `main ()`. The compiler builds a table of global constructor addresses that must be called, in order, before `main ()` in a section called `.pinit`. The linker combines the `.pinit` section from each input file to form a single table in the `.pinit` section. The boot routine uses this table to execute the constructors.

### 6.9.5 Initialization Tables

The tables in the `.cinit` section consist of variable-size initialization records. Each variable that must be autoinitialized has a record in the `.cinit` section. [Figure 6-3](#) shows the format of the `.cinit` section and the initialization records.

**Figure 6-3. Format of Initialization Records in the `.cinit` Section**



The fields of an initialization record contain the following information:

- The first field of an initialization record contains the size (in bytes) of the initialization data. The width of this field is one word (16).
- The second field contains the starting address of the area within the `.bss` section where the initialization data must be copied. The width of this field is one word.
- The third field contains the data that is copied into the `.bss` section to initialize the variable. The width of this field is variable.

Each variable that must be autoinitialized has an initialization record in the `.cinit` section.

[Example 6-10](#) shows initialized global variables defined in C. [Example 6-11](#) shows the corresponding initialization table.



**Example 6-10. Initialized Variables Defined in C**

```
int i = 23;
int a[5] = { 1, 2, 3, 4, 5 };
```

**Example 6-11. Initialized Information for Variables Defined in [Example 6-10](#)**

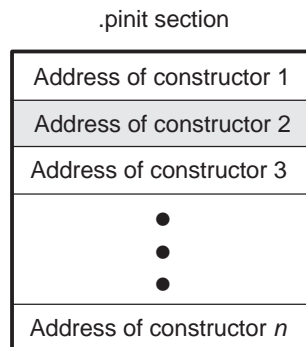
```
.sect ".cinit"
.align 2
.field 2,16
.field i+0,16
.field 23,16 ; i @ 0

.sect ".cinit"
.align 2
.field $$IR_1,16
.field a+0,16
.field 1,16 ; a[0] @ 0
.field 2,16 ; a[1] @ 16
.field 3,16 ; a[2] @ 32
.field 4,16 ; a[3] @ 48
.field 5,16 ; a[4] @ 64
$$IR_1: .set 10
.global i
.bss i,2,2
.global a
.bss a,10,2
```

The .cinit section must contain only initialization tables in this format. When interfacing assembly language modules, do not use the .cinit section for any other purpose.

The table in the .pinit section simply consists of a list of addresses of constructors to be called (see [Figure 6-4](#)). The constructors appear in the table after the .cinit initialization.

**Figure 6-4. Format of Initialization Records in the .pinit Section**



When you use the --rom\_model or --ram\_model option, the linker combines the .cinit sections from all the C modules and appends a null word to the end of the composite .cinit section. This terminating record appears as a record with a size field of 0 and marks the end of the initialization tables.

Likewise, the --rom\_model or --ram\_model link option causes the linker to combine all of the .pinit sections from all C/C++ modules and append a null word to the end of the composite .pinit section. The boot routine knows the end of the global constructor table when it encounters a null constructor address.

The const-qualified variables are initialized differently; see [Section 5.4.1](#).

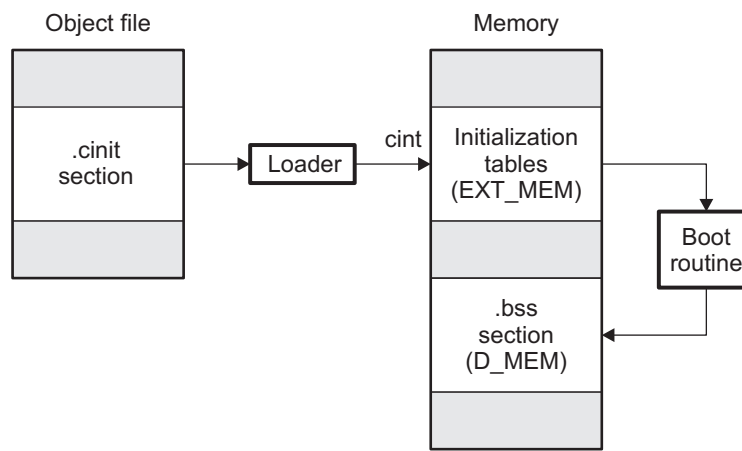
### 6.9.6 Autoinitialization of Variables at Run Time

Autoinitializing variables at run time is the default method of autoinitialization. To use this method, invoke the linker with the `--rom_model` option.

Using this method, the `.cinit` section is loaded into memory along with all the other initialized sections, and global variables are initialized at run time. The linker defines a special symbol called `cinit` that points to the beginning of the initialization tables in memory. When the program begins running, the C/C++ boot routine copies data from the tables (pointed to by `.cinit`) into the specified variables in the `.bss` section. This allows initialization data to be stored in ROM and copied to RAM each time the program starts.

Figure 6-5 illustrates autoinitialization at run time. Use this method in any system where your application runs from code burned into ROM.

**Figure 6-5. Autoinitialization at Run Time**



### 6.9.7 Initialization of Variables at Load Time

Initialization of variables at load time enhances performance by reducing boot time and by saving the memory used by the initialization tables. To use this method, invoke the linker with the `--ram_model` option.

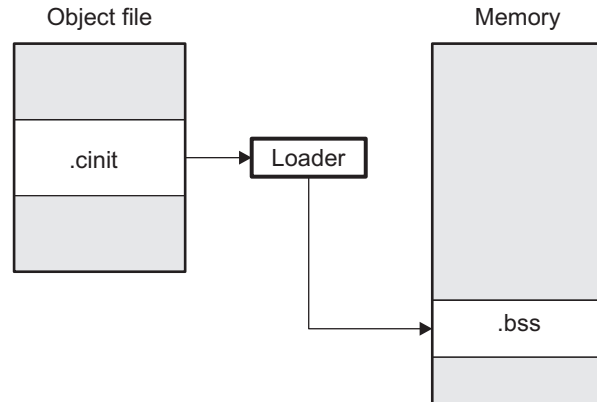
When you use the `--ram_model` link option, the linker sets the `STYP_COPY` bit in the `.cinit` section's header. This tells the loader not to load the `.cinit` section into memory. (The `.cinit` section occupies no space in the memory map.) The linker also sets the `cinit` symbol to `-1` (normally, `cinit` points to the beginning of the initialization tables). This indicates to the boot routine that the initialization tables are not present in memory; accordingly, no run-time initialization is performed at boot time.

A loader (which is not part of the compiler package) must be able to perform the following tasks to use initialization at load time:

- Detect the presence of the `.cinit` section in the object file
- Determine that `STYP_COPY` is set in the `.cinit` section header, so that it knows not to copy the `.cinit` section into memory
- Understand the format of the initialization tables

Figure 6-6 illustrates the initialization of variables at load time.

**Figure 6-6. Initialization at Load Time**



Regardless of the use of the `--rom_model` or `--ram_model` options, the `.pinit` section is always loaded and processed at run time.

## 6.10 Compiling for 20-Bit MSP430X Devices

The MSP430 tools support compiling and linking code for MSP430 and MSP430X (MSP430X) devices. See the following for more information on options and topics that apply to compiling for the MSP430X devices:

- Use the `--silicon_version=msp430x` option to compile for MSP430X devices. See [Section 2.3.2](#).
- Function pointers are 20-bits. See [Table 5-1](#) and [Table 6-2](#).
- The compiler supports a large-code memory model while generating code for MSP430X devices. See [Section 6.1.1](#).
- The compiler supports a large-data memory model while generating code for MSP430X devices. See [Section 6.1.2](#).
- Any assembly routines that interface with MSP430X C programs must fit the large code model. See [Section 6.5.1](#).
- Interrupt service routines must be placed into low memory. See [Section 6.6.4](#).
- Link with the `rts430x.lib` or `rts430x_eh.lib` run-time-support library.



## Using Run-Time-Support Functions and Building Libraries

---

---

---

Some of the tasks that a C/C++ program performs (such as I/O, dynamic memory allocation, string operations, and trigonometric functions) are not part of the C/C++ language itself. However, the ANSI/ISO C standard defines a set of run-time-support functions that perform these tasks. The C/C++ compiler implements the complete ISO standard library except for those facilities that handle exception conditions and locale issues (properties that depend on local language, nationality, or culture). Using the ANSI/ISO standard library ensures a consistent set of functions that provide for greater portability.

In addition to the ANSI/ISO-specified functions, the run-time-support library includes routines that give you processor-specific commands and direct C language I/O requests. These are detailed in [Section 7.1](#) and [Section 7.2](#).

A library-build process is provided with the code generation tools that lets you create customized run-time-support libraries. This process is described in [Section 7.4](#).

| Topic                                                                                                              | Page       |
|--------------------------------------------------------------------------------------------------------------------|------------|
| <b>7.1 C and C++ Run-Time Support Libraries</b> .....                                                              | <b>118</b> |
| <b>7.2 The C I/O Functions</b> .....                                                                               | <b>121</b> |
| <b>7.3 Handling Reentrancy (<code>_register_lock()</code> and <code>_register_unlock()</code> Functions)</b> ..... | <b>129</b> |
| <b>7.4 Library-Build Process</b> .....                                                                             | <b>129</b> |

## 7.1 C and C++ Run-Time Support Libraries

The standard run-time library includes code for both the C and C++ libraries, as well as compiler helper functions and initialization code. The library includes all the features of the C++ Library, including the Standard Template Library (STL), streams, and strings. The following exceptions and caveats are noted:

- The `<complex>` header and its functions are not included in the library.
- The C++ library supports wide chars, in that template functions and classes that are defined for char are also available for wide char. For example, wide char stream classes `wios`, `wiostream`, `wstreambuf` and so on (corresponding to char classes `ios`, `iostream`, `streambuf`) are implemented. However, there is no low-level file I/O for wide chars. Also, the C library interface to wide char support (through the C++ headers `<wchar>` and `<wctype>`) is limited as described in [Section 5.1](#).

The C++ library included with the compiler is licensed from [Dinkumware, Ltd.](#) The Dinkumware C++ library is a fully conforming, industry-leading implementation of the standard C++ library.

[Table 7-1](#) summarizes the functionality of the C++ standard library.

**Table 7-1. C++ Standard Library Outline**

| Header                           | Description                       | Notes                  |
|----------------------------------|-----------------------------------|------------------------|
| <b>C Library API</b>             |                                   |                        |
| <code>&lt;cassert&gt;</code>     | Assertions                        |                        |
| <code>&lt;cctype&gt;</code>      | Character Classifications         |                        |
| <code>&lt;cerrno&gt;</code>      | Error indicator                   |                        |
| <code>&lt;cfloat&gt;</code>      | Floating-point properties         |                        |
| <code>&lt;ciso646&gt;</code>     | Named logical operators           |                        |
| <code>&lt;climits&gt;</code>     | Data type properties              |                        |
| <code>&lt;locale&gt;</code>      | Locale support                    | Supports C locale only |
| <code>&lt;cmath&gt;</code>       | Floating-point math functions     |                        |
| <code>&lt;csignal&gt;</code>     | Non-local jumps                   |                        |
| <code>&lt;csignal&gt;</code>     | Signal and raise                  |                        |
| <code>&lt;cstdarg&gt;</code>     | Variadic arguments                |                        |
| <code>&lt;stddef&gt;</code>      | Standard C definitions            |                        |
| <code>&lt;stdio&gt;</code>       | C standard I/O                    |                        |
| <code>&lt;stdlib&gt;</code>      | Utility functions                 |                        |
| <code>&lt;string&gt;</code>      | C character strings               |                        |
| <code>&lt;time&gt;</code>        | C time manipulation               |                        |
| <code>&lt;wchar&gt;</code>       | Wide char functions               | Not fully supported    |
| <code>&lt;wctype&gt;</code>      | Wide char classification          | Not fully supported    |
| <b>Standard Template Library</b> |                                   |                        |
| <code>&lt;algorithm&gt;</code>   | Search, sort, etc.                |                        |
| <code>&lt;deque&gt;</code>       | Double-ended queue                |                        |
| <code>&lt;functional&gt;</code>  | Function objects                  |                        |
| <code>&lt;hash_map&gt;</code>    | Map keys to values                | Extension              |
| <code>&lt;hash_set&gt;</code>    | Map keys to multivalues           | Extension              |
| <code>&lt;iterator&gt;</code>    | Iterators for standard containers |                        |
| <code>&lt;list&gt;</code>        | Linked list                       |                        |
| <code>&lt;map&gt;</code>         | Associative array container       |                        |
| <code>&lt;memory&gt;</code>      | Container memory management       |                        |
| <code>&lt;numeric&gt;</code>     | Various numeric functions         |                        |
| <code>&lt;queue&gt;</code>       | Queue container                   |                        |
| <code>&lt;rope&gt;</code>        | Null-terminated array             | Extension              |

**Table 7-1. C++ Standard Library Outline (continued)**

| Header                    | Description                                | Notes     |
|---------------------------|--------------------------------------------|-----------|
| <set>                     | General container                          |           |
| <slist>                   | Singly-linked list                         | Extension |
| <stack>                   | Stack container                            |           |
| <utility>                 | Operators and pairs                        |           |
| <valarray>                | Numeric vectors                            |           |
| <vector>                  | One-dimensional array                      |           |
| <b>I/O Streams</b>        |                                            |           |
| <fstream>                 | I/O streams to/from files                  |           |
| <iomanip>                 | Manipulate I/O streams                     |           |
| <ios>                     | I/O stream base class                      |           |
| <iosfwd>                  | Forward declarations of I/O classes        |           |
| <iostream>                | Standard I/O stream operators              |           |
| <istream>                 | Input stream template                      |           |
| <ostream>                 | Output stream template                     |           |
| <sstream>                 | I/O streams operations on allocated arrays |           |
| <streambuf>               | I/O buffer base class                      |           |
| <stringstream>            | I/O streams to/from strings                |           |
| <b>Strings</b>            |                                            |           |
| <string>                  | C++ style string objects                   |           |
| <b>Language / Utility</b> |                                            |           |
| <bitset>                  | Array of booleans                          |           |
| <exception>               | Exception handling control                 |           |
| <limits>                  | Data type properties                       |           |
| <locale>                  | Customizing I/O and other facilities       |           |
| <new>                     | Dynamic memory allocation operators        |           |
| <stdexcept>               | Exception reporting objects                |           |

TI does not provide documentation that covers the functionality of the C++ library. We suggest referring to one of the following sources:

- *The Standard C++ Library: A Tutorial and Reference*, Nicolai M. Josuttis, Addison-Wesley, ISBN 0-201-37926-0
- *The C++ Programming Language* (Third or Special Editions), Bjarne Stroustrup, Addison-Wesley, ISBN 0-201-88954-4 or 0-201-70073-5
- Dinkumware's online reference at <http://dinkumware.com/manuals>

### 7.1.1 Linking Code With the Object Library

When you link your program, you must specify the object library as one of the linker input files so that references to the I/O and run-time-support functions can be resolved. You can either specify the library or allow the compiler to select one for you. See [Section 4.4.1](#) for further information.

You should specify libraries *last* on the linker command line because the linker searches a library for unresolved references when it encounters the library on the command line. You can also use the `--reread_libs` linker option to force repeated searches of each library until the linker can resolve no more references.

When a library is linked, the linker includes only those library members required to resolve undefined references. For more information about linking, see the *MSP430 Assembly Language Tools User's Guide*.

C, C++, and mixed C and C++ programs can use the same run-time-support library. Run-time-support functions and variables that can be called and referenced from both C and C++ will have the same linkage.

### 7.1.2 Header Files

To include the correct set of header files depending on which library you are using, you can set the MSP430\_C\_DIR environment variable to the specific include directory: "include\lib". The source support for libraries is included in the rtsrsrc.zip file. See [Section 7.4](#) for details on rebuilding libraries.

### 7.1.3 Modifying a Library Function

You can inspect or modify library functions by unzipping the source file (rtsrsrc.zip), changing the specific function file, and rebuilding the library. When extracted (with any standard unzip tool on windows, linux, or unix), this zip file will recreate the run-time source tree for the run-time library.

You can also build a new library this way, rather than rebuilding into rts430.lib. See [Section 7.4](#).

### 7.1.4 Changes to the Run-Time-Support Libraries

The following changes and additions apply to the runtime support libraries in the /lib subdirectory of the release package.

#### 7.1.4.1 Minimal Support for Internationalization

The library now includes the header files <locale.h>, <wchar.h>, and <wctype.h>, which provide APIs to support non-ASCII character sets and conventions. Our implementation of these APIs is limited in the following ways:

- The library has minimal support for wide and multi-byte characters. The type wchar\_t is implemented as int. The wide character set is equivalent to the set of values of type char. The library includes the header files <wchar.h> and <wctype.h> but does not include all the functions specified in the standard. So-called multi-byte characters are limited to single characters. There are no shift states. The mapping between multi-byte characters and wide characters is simple equivalence; that is, each wide character maps to and from exactly a single multi-byte character having the same value.
- The C library includes the header file <locale.h> but with a minimal implementation. The only supported locale is the C locale. That is, library behavior that is specified to vary by locale is hard-coded to the behavior of the C locale, and attempting to install a different locale via a call to setlocale() will return NULL.

#### 7.1.4.2 Allowable Number of Open Files

In the <stdio.h> header file, the value for the macro FOPEN\_MAX has been changed from 12 to the value of the macro \_NFILE, which is set to 10. The impact is that you can only have 10 files simultaneously open at one time (including the pre-defined streams - stdin, stdout, stderr).

The C standard requires that the minimum value for the FOPEN\_MAX macro is 8. The macro determines the maximum number of files that can be opened at one time. The macro is defined in the stdio.h header file and can be modified by changing the value of the \_NFILE macro.



## 7.2 The C I/O Functions

The C I/O functions make it possible to access the host's operating system to perform I/O. The capability to perform I/O on the host gives you more options when debugging and testing code.

To use the I/O functions, include the header file `stdio.h`, or `cstdio` for C++ code, for each module that references a C I/O function.

For example, given the following C program in a file named `main.c`:

```
#include <stdio.h>

main()
{
 FILE *fid;

 fid = fopen("myfile", "w");
 fprintf(fid, "Hello, world\n");
 fclose(fid);

 printf("Hello again, world\n");
}
```

Issuing the following compiler command compiles, links, and creates the file `main.out` from the run-time-support library:

```
cl430 main.c --run_linker --heap_size=400 --library=rts430.lib --output_file=main.out
```

Executing `main.out` results in

```
Hello, world
```

being output to a file and

```
Hello again, world
```

being output to your host's stdout window.

With properly written device drivers, the library also offers facilities to perform I/O on a user-specified device.

---

**Note: C I/O Buffer Failure**

If there is not enough space on the heap for a C I/O buffer, buffered operations on the file will fail. If a call to `printf()` mysteriously fails, this may be the reason. Check the size of the heap. To set the heap size, use the `--heap_size` option when linking (see [Section 4.2](#)).

---

### 7.2.1 Overview of Low-Level I/O Implementation

The code that implements I/O is logically divided into layers: high level, low level, and device level.

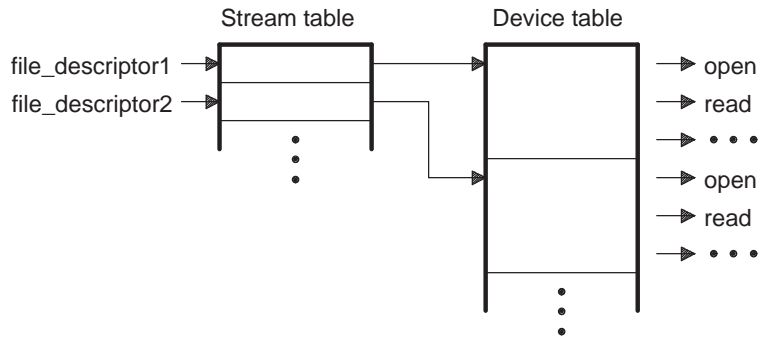
The high-level functions are the standard C library of stream I/O routines (`printf`, `scanf`, `fopen`, `getchar`, and so on). These routines map an I/O request to one or more of the I/O commands that are handled by the low-level routines.

The low-level routines are comprised of basic I/O functions: `open`, `read`, `write`, `close`, `lseek`, `rename`, and `unlink`. These low-level routines provide the interface between the high-level functions and the device-level drivers that actually perform the I/O command on the specified device.

The low-level functions also define and maintain a stream table that associates a file descriptor with a device. The stream table interacts with the device table to ensure that an I/O command performed on a stream executes the correct device-level routine.

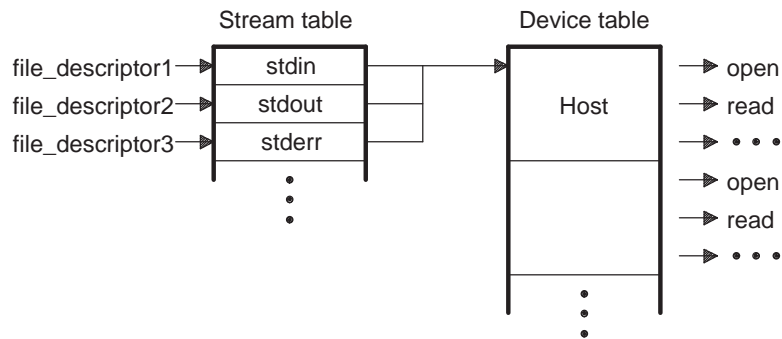
The data structures interact as shown in [Figure 7-1](#).

**Figure 7-1. Interaction of Data Structures in I/O Functions**



The first three streams in the stream table are predefined to be stdin, stdout, and stderr and they point to the host device and associated device drivers.

**Figure 7-2. The First Three Streams in the Stream Table**



At the next level are the user-definable device-level drivers. They map directly to the low-level I/O functions. The run-time-support library includes the device drivers necessary to perform I/O on the host on which the debugger is running.

The specifications for writing device-level routines to interface with the low-level routines follow. Each function must set up and maintain its own data structures as needed. Some function definitions perform no action and should just return.

**add\_device**
***Add Device to Device Table***


---

**Syntax for C**

```
#include <file.h>

int add_device(char *name,
 unsigned flags,
 int (*dopen)(),
 int (*dclose)(),
 int (*dread)(),
 int (*dwrite)(),
 fpos_t (*dlseek)(),
 int (*dunlink)(),
 int (*drename)());
```

**Defined in**

lowlev.c in rtssrc.zip

**Description**

The `add_device` function adds a device record to the device table allowing that device to be used for input/output from C. The first entry in the device table is predefined to be the host device on which the debugger is running. The function `add_device()` finds the first empty position in the device table and initializes the fields of the structure that represent a device.

To open a stream on a newly added device use `fopen( )` with a string of the format `devicename:filename` as the first argument.

- The *name* is a character string denoting the device name. The name is limited to 8 characters.
- The *flags* are device characteristics. The flags are as follows:
  - \_SSA Denotes that the device supports only one open stream at a time
  - \_MSA Denotes that the device supports multiple open streams
 More flags can be added by defining them in `stdio.h`.
- The *dopen*, *dclose*, *dread*, *dwrite*, *dlseek*, *dunlink*, and *drename* specifiers are function pointers to the device drivers that are called by the low-level functions to perform I/O on the specified device. You must declare these functions with the interface specified in [Section 7.2.1](#). The device drivers for the host that the MSP430 debugger is run on are included in the C I/O library.

**Return Value**

The function returns one of the following values:

```
0 if successful
1 if fails
```

**Example**

[Example 7-1](#) does the following:

- Adds the device *mydevice* to the device table
- Opens a file named *test* on that device and associates it with the file *\*fid*
- Writes the string *Hello, world* into the file
- Closes the file

|                       |                                                                                                                                                                                                                                                                                                                                                                                                                                                                                                                                                                                                                                                                                                                                                                                                                                                                                            |
|-----------------------|--------------------------------------------------------------------------------------------------------------------------------------------------------------------------------------------------------------------------------------------------------------------------------------------------------------------------------------------------------------------------------------------------------------------------------------------------------------------------------------------------------------------------------------------------------------------------------------------------------------------------------------------------------------------------------------------------------------------------------------------------------------------------------------------------------------------------------------------------------------------------------------------|
| <b>close</b>          | <b><i>Close File or Device for I/O</i></b>                                                                                                                                                                                                                                                                                                                                                                                                                                                                                                                                                                                                                                                                                                                                                                                                                                                 |
| <b>Syntax for C</b>   | <pre>#include &lt;stdio.h&gt; #include &lt;file.h&gt;  <b>int close (int file_descriptor );</b></pre>                                                                                                                                                                                                                                                                                                                                                                                                                                                                                                                                                                                                                                                                                                                                                                                      |
| <b>Syntax for C++</b> | <pre>#include &lt;cstdio&gt; #include &lt;file.h&gt;  <b>int std::close (int file_descriptor );</b></pre>                                                                                                                                                                                                                                                                                                                                                                                                                                                                                                                                                                                                                                                                                                                                                                                  |
| <b>Description</b>    | <p>The close function closes the device or file associated with <i>file_descriptor</i>.</p> <p>The <i>file_descriptor</i> is the stream number assigned by the low-level routines that is associated with the opened device or file.</p>                                                                                                                                                                                                                                                                                                                                                                                                                                                                                                                                                                                                                                                   |
| <b>Return Value</b>   | <p>The return value is one of the following:</p> <pre>0      if successful 1      if fails</pre>                                                                                                                                                                                                                                                                                                                                                                                                                                                                                                                                                                                                                                                                                                                                                                                           |
| <b>lseek</b>          | <b><i>Set File Position Indicator</i></b>                                                                                                                                                                                                                                                                                                                                                                                                                                                                                                                                                                                                                                                                                                                                                                                                                                                  |
| <b>Syntax for C</b>   | <pre>#include &lt;stdio.h&gt; #include &lt;file.h&gt;  <b>long lseek (intfile_descriptor, long offset, intorigin);</b></pre>                                                                                                                                                                                                                                                                                                                                                                                                                                                                                                                                                                                                                                                                                                                                                               |
| <b>Syntax for C++</b> | <pre>#include &lt;cstdio&gt; #include &lt;file.h&gt;  <b>long std::lseek (int file_descriptor , long offset , int origin );</b></pre>                                                                                                                                                                                                                                                                                                                                                                                                                                                                                                                                                                                                                                                                                                                                                      |
| <b>Description</b>    | <p>The lseek function sets the file position indicator for the given file to <i>origin + offset</i>. The file position indicator measures the position in characters from the beginning of the file.</p> <ul style="list-style-type: none"> <li>• The <i>file_descriptor</i> is the stream number assigned by the low-level routines that the device-level driver must associate with the opened file or device.</li> <li>• The <i>offset</i> indicates the relative offset from the <i>origin</i> in characters.</li> <li>• The <i>origin</i> is used to indicate which of the base locations the <i>offset</i> is measured from. The <i>origin</i> must be a value returned by one of the following macros: <pre><b>SEEK_SET</b> (0x0000) Beginning of file <b>SEEK_CUR</b> (0x0001) Current value of the file position indicator <b>SEEK_END</b> (0x0002) End of file</pre> </li> </ul> |
| <b>Return Value</b>   | <p>The return function is one of the following:</p> <pre>#      new value of the file-position indicator if successful EOF   if fails</pre>                                                                                                                                                                                                                                                                                                                                                                                                                                                                                                                                                                                                                                                                                                                                                |

**open**
***Open File or Device for I/O***
**Syntax for C**

```
#include <stdio.h>
#include <file.h>
```

```
int open (const char * path , unsigned flags , int file_descriptor);
```

**Syntax for C++**

```
#include <cstdio>
#include <file.h>
```

```
int std::open (const char * path , unsigned flags , int file_descriptor);
```

**Description**

The open function opens the device or file specified by *path* and prepares it for I/O.

- The *path* is the filename of the file to be opened, including path information.
- The *flags* are attributes that specify how the device or file is manipulated. The flags are specified using the following symbols:

```
O_RDONLY (0x0000) /* open for reading */
O_WRONLY (0x0001) /* open for writing */
O_RDWR (0x0002) /* open for read & write */
O_APPEND (0x0008) /* append on each write */
O_CREAT (0x0200) /* open with file create */
O_TRUNC (0x0400) /* open with truncation */
O_BINARY (0x8000) /* open in binary mode */
```

These parameters can be ignored in some cases, depending on how data is interpreted by the device. However, the high-level I/O calls look at how the file was opened in an fopen statement and prevent certain actions, depending on the open attributes.

- The *file\_descriptor* is the stream number assigned by the low-level routines that is associated with the opened file or device.  
The next available *file\_descriptor* (in order from 3 to 20) is assigned to each new device opened. You can use the finddevice() function to return the device structure and use this pointer to search the *\_stream* array for the same pointer. The *file\_descriptor* number is the other member of the *\_stream* array.

**Return Value**

The function returns one of the following values:

```
#-1 if successful
-1 if fails
```

|                       |                                                                                                                                                                                                                                                                                                                                                                                                                                                                                                                                                            |
|-----------------------|------------------------------------------------------------------------------------------------------------------------------------------------------------------------------------------------------------------------------------------------------------------------------------------------------------------------------------------------------------------------------------------------------------------------------------------------------------------------------------------------------------------------------------------------------------|
| <b>read</b>           | <b><i>Read Characters from Buffer</i></b>                                                                                                                                                                                                                                                                                                                                                                                                                                                                                                                  |
| <b>Syntax for C</b>   | <pre>#include &lt;stdio.h&gt; #include &lt;file.h&gt;  <b>int read (int file_descriptor , char * buffer , unsigned count );</b></pre>                                                                                                                                                                                                                                                                                                                                                                                                                      |
| <b>Syntax for C++</b> | <pre>#include &lt;cstdio&gt; #include &lt;file.h&gt;  <b>int std::read (int file_descriptor , char *buffer , unsigned count );</b></pre>                                                                                                                                                                                                                                                                                                                                                                                                                   |
| <b>Description</b>    | <p>The read function reads the number of characters specified by <i>count</i> to the <i>buffer</i> from the device or file associated with <i>file_descriptor</i>.</p> <ul style="list-style-type: none"> <li>• The <i>file_descriptor</i> is the stream number assigned by the low-level routines that is associated with the opened file or device.</li> <li>• The <i>buffer</i> is the location of the buffer where the read characters are placed.</li> <li>• The <i>count</i> is the number of characters to read from the device or file.</li> </ul> |
| <b>Return Value</b>   | <p>The function returns one of the following values:</p> <pre>0          if EOF was encountered before the read was complete #          number of characters read in every other instance -1         if fails</pre>                                                                                                                                                                                                                                                                                                                                        |
| <b>rename</b>         | <b><i>Rename File</i></b>                                                                                                                                                                                                                                                                                                                                                                                                                                                                                                                                  |
| <b>Syntax for C</b>   | <pre>#include &lt;stdio.h&gt; #include &lt;file.h&gt;  <b>int rename (const char * old_name , const char * new_name );</b></pre>                                                                                                                                                                                                                                                                                                                                                                                                                           |
| <b>Syntax for C++</b> | <pre>#include &lt;cstdio&gt; #include &lt;file.h&gt;  <b>int std::rename (const char * old_name , const char * new_name );</b></pre>                                                                                                                                                                                                                                                                                                                                                                                                                       |
| <b>Description</b>    | <p>The rename function changes the name of a file.</p> <ul style="list-style-type: none"> <li>• The <i>old_name</i> is the current name of the file.</li> <li>• The <i>new_name</i> is the new name for the file.</li> </ul>                                                                                                                                                                                                                                                                                                                               |
| <b>Return Value</b>   | <p>The function returns one of the following values:</p> <pre>0          if successful Non-0     if not successful</pre>                                                                                                                                                                                                                                                                                                                                                                                                                                   |

**unlink**
**Delete File**


---

**Syntax for C**

```
#include <stdio.h>
#include <file.h>
```

```
int unlink (const char * path);
```

**Syntax for C++**

```
#include <cstdio>
#include <file.h>
```

```
int std::unlink (const char * path);
```

**Description**

The unlink function deletes the file specified by *path*.

The *path* is the filename of the file to be opened, including path information.

**Return Value**

The function returns one of the following values:

```
0 if successful
1 if fails
```

**write**
**Write Characters to Buffer**


---

**Syntax for C**

```
#include <stdio.h>
#include <file.h>
```

```
int write (int file_descriptor , const char * buffer , unsigned count);
```

**Syntax for C++**

```
#include <cstdio>
#include <file.h>
```

```
int write (int file_descriptor , const char * buffer , unsigned count);
```

**Description**

The write function writes the number of characters specified by *count* from the *buffer* to the device or file associated with *file\_descriptor*.

- The *file\_descriptor* is the stream number assigned by the low-level routines. It is associated with the opened file or device.
- The *buffer* is the location of the buffer where the write characters are placed.
- The *count* is the number of characters to write to the device or file.

**Return Value**

The function returns one of the following values:

```
number of characters written if successful
1 if fails
```

## 7.2.2 Adding a Device for C I/O

The low-level functions provide facilities that allow you to add and use a device for I/O at run time. The procedure for using these facilities is:

1. Define the device-level functions as described in [Section 7.2.1](#).

---

**Note: Use Unique Function Names**

The function names open, close, read, and so on, are used by the low-level routines. Use other names for the device-level functions that you write.

---

2. Use the low-level function `add_device()` to add your device to the `device_table`. The device table is a statically defined array that supports  $n$  devices, where  $n$  is defined by the macro `_NDEVICE` found in `stdio.h/cstdio`. The structure representing a device is also defined in `stdio.h/cstdio` and is composed of the following fields:

|                          |                                                                                                                                                    |
|--------------------------|----------------------------------------------------------------------------------------------------------------------------------------------------|
| <b>name</b>              | String for device name                                                                                                                             |
| <b>flags</b>             | Flags that specify whether the device supports multiple streams or not                                                                             |
| <b>function pointers</b> | Pointers to the device-level functions:                                                                                                            |
|                          | <ul style="list-style-type: none"> <li>• CLOSE      • RENAME</li> <li>• LSEEK     • WRITE</li> <li>• OPEN      • UNLINK</li> <li>• READ</li> </ul> |

The first entry in the device table is predefined to be the host device on which the debugger is running. The low-level routine `add_device()` finds the first empty position in the device table and initializes the device fields with the passed-in arguments. For a complete description, see [the `add\_device` function](#).

3. Once the device is added, call `fopen()` to open a stream and associate it with that device. Use `devicename:filename` as the first argument to `fopen()`.

[Example 7-1](#) illustrates adding and using a device for C I/O:

### Example 7-1. Program for C I/O Device

```
#include <stdio.h>
/*****
/* Declarations of the user-defined device drivers */
*****/
extern int my_open(const char *path, unsigned flags, int fno);
extern int my_close(int fno);
extern int my_read(int fno, char *buffer, unsigned count);
extern int my_write(int fno, const char *buffer, unsigned count);
extern long my_lseek(int fno, long offset, int origin);
extern int my_unlink(const char *path);
extern int my_rename(const char *old_name, char *new_name);
main()
{
 FILE *fid;
 add_device("mydevice", _MSA, my_open, my_close, my_read, my_write, my_lseek,
 my_unlink, my_rename);

 fid = fopen("mydevice:test", "w");
 fprintf(fid, "Hello, world\n");

 fclose(fid);
}
```



### 7.3 Handling Reentrancy (\_register\_lock() and \_register\_unlock() Functions)

The C standard assumes only one thread of execution, with the only exception being extremely narrow support for signal handlers. The issue of reentrancy is avoided by not allowing you to do much of anything in a signal handler. However, BIOS applications have multiple threads which need to modify the same global program state, such as the CIO buffer, so reentrancy is a concern.

Part of the problem of reentrancy remains your responsibility, but the run-time-support environment does provide rudimentary support for multi-threaded reentrancy by providing support for critical sections. This implementation does not protect you from reentrancy issues such as calling run-time-support functions from inside interrupts; this remains your responsibility.

The run-time-support environment provides hooks to install critical section primitives. By default, a single-threaded model is assumed, and the critical section primitives are not employed. In a multi-threaded system such as BIOS, the kernel arranges to install semaphore lock primitive functions in these hooks, which are then called when the run-time-support enters code that needs to be protected by a critical section.

Throughout the run-time-support environment where a global state is accessed, and thus needs to be protected with a critical section, there are calls to the function `_lock()`. This calls the provided primitive, if installed, and acquires the semaphore before proceeding. Once the critical section is finished, `_unlock()` is called to release the semaphore.

Usually BIOS is responsible for creating and installing the primitives, so you do not need to take any action. However, this mechanism can be used in multi-threaded applications which do not use the BIOS LCK mechanism.

You should not define the functions `_lock()` and `_unlock()` functions directly; instead, the installation functions are called to instruct the run-time-support environment to use these new primitives:

```
void _register_lock (void (*lock)());
void _register_unlock(void (*unlock)());
```

The arguments to `_register_lock()` and `_register_unlock()` should be functions which take no arguments and return no values, and which implement some sort of global semaphore locking:

```
extern volatile sig_atomic_t *sema = SHARED_SEMAPHORE_LOCATION;
static int sema_depth = 0;
static void my_lock(void)
{
 while (ATOMIC_TEST_AND_SET(sema, MY_UNIQUE_ID) != MY_UNIQUE_ID);
 sema_depth++;
}
static void my_unlock(void)
{
 if (--sema_depth) ATOMIC_CLEAR(sema);
}
```

The run-time-support nests calls to `_lock()`, so the primitives must keep track of the nesting level.

### 7.4 Library-Build Process

When using the C/C++ compiler, you can compile your code under a number of different configurations and options that are not necessarily compatible with one another. Because it would be cumbersome to include all possible combinations in individual run-time-support libraries, this package includes a basic run-time-support library, `rts430.lib`. Also included are library versions that support various MSP430 devices and versions that support C++ exception handling.

You can also build your own run-time-support libraries using the self-contained run-time-support build process, which is found in `rtsrc.zip`. This process is described in this chapter and the archiver described in the *MSP430 Assembly Language Tools User's Guide*.

### 7.4.1 Required Non-Texas Instruments Software

To use the self-contained run-time-support build process to rebuild a library with custom options, the following support items are required:

- Perl version 5.6 or later available as perl

Perl is a high-level programming language designed for process, file, and text manipulation. It is:

- Generally available from <http://www.perl.org/get.htm>
- Available from ActiveState.com as ActivePerl for the PC
- Available as part of the Cygwin package for the PC

It must be installed and added to PATH so it is available at the command-line prompt as perl. To ensure perl is available, open a Command Prompt window and execute:

```
perl -v
```

No special or additional Perl modules are required beyond the standard perl module distribution.

- GNU-compatible command-line make tool, such as gmake

More information is available from GNU at <http://www.gnu.org/software/make>. This file requires a host C compiler to build. GNU make (gmake) is shipped as part of Code Composer Studio on Windows. GNU make is also included in some Unix support packages for Windows, such as the MKS Toolkit, Cygwin, and Interix. The GNU make used on Windows platforms should explicitly report This program built for Windows32 when the following is executed from the Command Prompt window:

```
gmake -h
```

### 7.4.2 Using the Library-Build Process

Once the perl and gmake tools are available, unzip the rtssrc.zip into a new, empty directory. See the Makefile for additional information on how to customize a library build by modifying the LIBLIST and/or the OPT\_XXX macros

Once the desired changes have been made, simply use the following syntax from the command-line while in the rtssrc.zip top level directory to rebuild the selected rtsname library.

**gmake** rtsname

To use custom options to rebuild a library, simply change the list of options for the appropriate base listed in [Section 7.4.3](#) and then rebuild the library. See the tables in [Section 2.3](#) for a summary of available generic and MSP430-specific options.

To build an library with a completely different set of options, define a new OPT\_XXX base, choose the type of library per [Section 7.4.3](#), and then rebuild the library. Not all library types are supported by all targets. You may need to make changes to targets\_rts\_cfg.pm to ensure the proper files are included in your custom library.

### 7.4.3 Library Naming Conventions

The names of the MSP430 run-time support libraries have been changed to improve the clarity and uniformity of the names given the large number of libraries that now exist. Library names from prior releases will be deprecated, but still supplied for compatibility.

The classic run-time support libraries now have the following naming scheme:

**rts430**[x[!]][\_eh].lib

|               |                                                                  |
|---------------|------------------------------------------------------------------|
| <b>rts430</b> | Indicates an MSP430 library.                                     |
| x             | Optional x indicates an MSP430X library.                         |
| l             | Optional l after x indicates a large-data model MSP430X library. |
| _eh           | Indicates the library has exception handling support             |

## C++ Name Demangler

---

---

---

The C++ compiler implements function overloading, operator overloading, and type-safe linking by encoding a function's signature in its link-level name. The process of encoding the signature into the linkname is often referred to as name mangling. When you inspect mangled names, such as in assembly files or linker output, it can be difficult to associate a mangled name with its corresponding name in the C++ source code. The C++ name demangler is a debugging aid that translates each mangled name it detects to its original name found in the C++ source code.

These topics tell you how to invoke and use the C++ name demangler. The C++ name demangler reads in input, looking for mangled names. All unmangled text is copied to output unaltered. All mangled names are demangled before being copied to output.

| Topic                                                   | Page       |
|---------------------------------------------------------|------------|
| <b>8.1 Invoking the C++ Name Demangler</b> .....        | <b>132</b> |
| <b>8.2 C++ Name Demangler Options</b> .....             | <b>132</b> |
| <b>8.3 Sample Usage of the C++ Name Demangler</b> ..... | <b>132</b> |

## 8.1 Invoking the C++ Name Demangler

The syntax for invoking the C++ name demangler is:

**dem430** [*options*] [*filenames*]

|                  |                                                                                                                                                                                                      |
|------------------|------------------------------------------------------------------------------------------------------------------------------------------------------------------------------------------------------|
| <b>dem430</b>    | Command that invokes the C++ name demangler.                                                                                                                                                         |
| <i>options</i>   | Options affect how the name demangler behaves. Options can appear anywhere on the command line. (Options are discussed in <a href="#">Section 8.2.</a> )                                             |
| <i>filenames</i> | Text input files, such as the assembly file output by the compiler, the assembler listing file, and the linker map file. If no filenames are specified on the command line, dem430 uses standard in. |

By default, the C++ name demangler outputs to standard out. You can use the `-o` file option if you want to output to a file.

## 8.2 C++ Name Demangler Options

The following options apply only to the C++ name demangler:

|                |                                                                                        |
|----------------|----------------------------------------------------------------------------------------|
| <b>-h</b>      | Prints a help screen that provides an online summary of the C++ name demangler options |
| <b>-o file</b> | Outputs to the given file rather than to standard out                                  |
| <b>-u</b>      | Specifies that external names do not have a C++ prefix                                 |
| <b>-v</b>      | Enables verbose mode (outputs a banner)                                                |

## 8.3 Sample Usage of the C++ Name Demangler

The examples in this section illustrate the demangling process. [Example 8-1](#) shows a sample C++ program. [Example 8-2](#) shows the resulting assembly that is output by the compiler. In this example, the linknames of all the functions are mangled; that is, their signature information is encoded into their names.

### **Example 8-1. C Code for `calories_in_a_banana`**

```
class banana {
public:
 int calories(void);
 banana();
 ~banana();
};

int calories_in_a_banana(void)
{
 banana x;
 return x.calories();
}
```

**Example 8-2. Resulting Assembly for calories\_in\_a\_banana**

```

calories_in_a_banana__Fv:
;* -----*
 SUB.W #4,SP
 MOV.W SP,r12 ; |10|
 ADD.W #2,r12 ; |10|
 CALL #__ct__6bananaFv ; |10|
 ; |10|
 MOV.W SP,r12 ; |11|
 ADD.W #2,r12 ; |11|
 CALL #calories__6bananaFv ; |11|
 ; |11|
 MOV.W r12,0(SP) ; |11|
 MOV.W SP,r12 ; |11|
 ADD.W #2,r12 ; |11|
 MOV.W #2,r13 ; |11|
 CALL #__dt__6bananaFv ; |11|
 ; |11|
 MOV.W 0(SP),r12 ; |11|
 ADD.W #4,SP
 RET

```

Executing the C++ name demangler demangles all names that it believes to be mangled. If you enter:

```
dem430 calories_in_a_banana.asm
```

the result is shown in [Example 8-3](#). The linknames in [Example 8-2](#) `__ct__6bananaFv`, `__calories__6bananaFv`, and `__dt__6bananaFv` are demangled.

**Example 8-3. Result After Running the C++ Name Demangler**

```

calories_in_a_banana():
;* -----*
 SUB.W #4,SP
 MOV.W SP,r12 ; |10|
 ADD.W #2,r12 ; |10|
 CALL #banana::banana() ; |10|
 ; |10|
 MOV.W SP,r12 ; |11|
 ADD.W #2,r12 ; |11|
 CALL #banana::calories() ; |11|
 ; |11|
 MOV.W r12,0(SP) ; |11|
 MOV.W SP,r12 ; |11|
 ADD.W #2,r12 ; |11|
 MOV.W #2,r13 ; |11|
 CALL #banana::~~banana() ; |11|
 ; |11|
 MOV.W 0(SP),r12 ; |11|
 ADD.W #4,SP
 RET

```



## Glossary

---

---

- absolute lister**—A debugging tool that allows you to create assembler listings that contain absolute addresses.
- alias disambiguation**—A technique that determines when two pointer expressions cannot point to the same location, allowing the compiler to freely optimize such expressions.
- aliasing**— The ability for a single object to be accessed in more than one way, such as when two pointers point to a single object. It can disrupt optimization, because any indirect reference could refer to any other object.
- allocation**— A process in which the linker calculates the final memory addresses of output sections.
- ANSI**— American National Standards Institute; an organization that establishes standards voluntarily followed by industries.
- archive library**—A collection of individual files grouped into a single file by the archiver.
- archiver**— A software program that collects several individual files into a single file called an archive library. With the archiver, you can add, delete, extract, or replace members of the archive library.
- assembler**— A software program that creates a machine-language program from a source file that contains assembly language instructions, directives, and macro definitions. The assembler substitutes absolute operation codes for symbolic operation codes and absolute or relocatable addresses for symbolic addresses.
- assignment statement**—A statement that initializes a variable with a value.
- autoinitialization**— The process of initializing global C variables (contained in the .cinit section) before program execution begins.
- autoinitialization at run time**—An autoinitialization method used by the linker when linking C code. The linker uses this method when you invoke it with the `--rom_model` link option. The linker loads the .cinit section of data tables into memory, and variables are initialized at run time.
- BIS**— Bit instruction set.
- block**— A set of statements that are grouped together within braces and treated as an entity.
- .bss section**—One of the default object file sections. You use the assembler `.bss` directive to reserve a specified amount of space in the memory map that you can use later for storing data. The `.bss` section is uninitialized.
- byte**— Per ANSI/ISO C, the smallest addressable unit that can hold a character.
- C/C++ compiler**—A software program that translates C source statements into assembly language source statements.
- code generator**—A compiler tool that takes the file produced by the parser or the optimizer and produces an assembly language source file.
- COFF**— Common object file format; a system of object files configured according to a standard developed by AT&T. These files are relocatable in memory space.

- command file**—A file that contains options, filenames, directives, or commands for the linker or hex conversion utility.
- comment**— A source statement (or portion of a source statement) that documents or improves readability of a source file. Comments are not compiled, assembled, or linked; they have no effect on the object file.
- compiler program**— A utility that lets you compile, assemble, and optionally link in one step. The compiler runs one or more source modules through the compiler (including the parser, optimizer, and code generator), the assembler, and the linker.
- configured memory**— Memory that the linker has specified for allocation.
- constant**— A type whose value cannot change.
- cross-reference listing**—An output file created by the assembler that lists the symbols that were defined, what line they were defined on, which lines referenced them, and their final values.
- .data section**—One of the default object file sections. The .data section is an initialized section that contains initialized data. You can use the .data directive to assemble code into the .data section.
- direct call**—A function call where one function calls another using the function's name.
- directives**— Special-purpose commands that control the actions and functions of a software tool (as opposed to assembly language instructions, which control the actions of a device).
- disambiguation**— See *alias disambiguation*
- dynamic memory allocation**—A technique used by several functions (such as malloc, calloc, and realloc) to dynamically allocate memory for variables at run time. This is accomplished by defining a large memory pool (heap) and using the functions to allocate memory from the heap.
- ELF**— Executable and linking format; a system of object files configured according to the System V Application Binary Interface specification.
- emulator**— A hardware development system that duplicates the MSP430 operation.
- entry point**—A point in target memory where execution starts.
- environment variable**—A system symbol that you define and assign to a string. Environmental variables are often included in Windows batch files or UNIX shell scripts such as .cshrc or .profile.
- epilog**— The portion of code in a function that restores the stack and returns.
- executable module**—A linked object file that can be executed in a target system.
- expression**— A constant, a symbol, or a series of constants and symbols separated by arithmetic operators.
- external symbol**—A symbol that is used in the current program module but defined or declared in a different program module.
- file-level optimization**—A level of optimization where the compiler uses the information that it has about the entire file to optimize your code (as opposed to program-level optimization, where the compiler uses information that it has about the entire program to optimize your code).
- function inlining**—The process of inserting code for a function at the point of call. This saves the overhead of a function call and allows the optimizer to optimize the function in the context of the surrounding code.
- global symbol**—A symbol that is either defined in the current module and accessed in another, or accessed in the current module but defined in another.



- high-level language debugging**—The ability of a compiler to retain symbolic and high-level language information (such as type and function definitions) so that a debugging tool can use this information.
- indirect call**—A function call where one function calls another function by giving the address of the called function.
- initialization at load time**—An autoinitialization method used by the linker when linking C/C++ code. The linker uses this method when you invoke it with the `--ram_model` link option. This method initializes variables at load time instead of run time.
- initialized section**—A section from an object file that will be linked into an executable module.
- integrated preprocessor**—A C/C++ preprocessor that is merged with the parser, allowing for faster compilation. Stand-alone preprocessing or preprocessed listing is also available.
- interlist feature**—A feature that inserts as comments your original C/C++ source statements into the assembly language output from the assembler. The C/C++ statements are inserted next to the equivalent assembly instructions.
- intrinsics**— Operators that are used like functions and produce assembly language code that would otherwise be inexpressible in C, or would take greater time and effort to code.
- ISO**— International Organization for Standardization; a worldwide federation of national standards bodies, which establishes international standards voluntarily followed by industries.
- K&R C**—Kernighan and Ritchie C, the de facto standard as defined in the first edition of *The C Programming Language* (K&R). Most K&R C programs written for earlier, non-ISO C compilers should correctly compile and run without modification.
- label**— A symbol that begins in column 1 of an assembler source statement and corresponds to the address of that statement. A label is the only assembler statement that can begin in column 1.
- linker**— A software program that combines object files to form an object module that can be allocated into system memory and executed by the device.
- listing file**—An output file, created by the assembler, that lists source statements, their line numbers, and their effects on the section program counter (SPC).
- loader**— A device that places an executable module into system memory.
- loop unrolling**—An optimization that expands small loops so that each iteration of the loop appears in your code. Although loop unrolling increases code size, it can improve the performance of your code.
- macro**— A user-defined routine that can be used as an instruction.
- macro call**—The process of invoking a macro.
- macro definition**—A block of source statements that define the name and the code that make up a macro.
- macro expansion**—The process of inserting source statements into your code in place of a macro call.
- map file**—An output file, created by the linker, that shows the memory configuration, section composition, section allocation, symbol definitions and the addresses at which the symbols were defined for your program.
- memory map**—A map of target system memory space that is partitioned into functional blocks.
- name mangling**—A compiler-specific feature that encodes a function name with information regarding the function's arguments return types.
- object file**—An assembled or linked file that contains machine-language object code.

- object library**—An archive library made up of individual object files.
- object module**—A linked, executable object file that can be downloaded and executed on a target system.
- operand**— An argument of an assembly language instruction, assembler directive, or macro directive that supplies information to the operation performed by the instruction or directive.
- optimizer**— A software tool that improves the execution speed and reduces the size of C programs.
- options**— Command-line parameters that allow you to request additional or specific functions when you invoke a software tool.
- output module**—A linked, executable object file that is downloaded and executed on a target system.
- output section**—A final, allocated section in a linked, executable module.
- parser**— A software tool that reads the source file, performs preprocessing functions, checks the syntax, and produces an intermediate file used as input for the optimizer or code generator.
- pipelining**— A technique where a second instruction begins executing before the first instruction has been completed. You can have several instructions in the pipeline, each at a different processing stage.
- pragma**— A preprocessor directive that provides directions to the compiler about how to treat a particular statement.
- preprocessor**— A software tool that interprets macro definitions, expands macros, interprets header files, interprets conditional compilation, and acts upon preprocessor directives.
- program-level optimization**—An aggressive level of optimization where all of the source files are compiled into one intermediate file. Because the compiler can see the entire program, several optimizations are performed with program-level optimization that are rarely applied during file-level optimization.
- prolog**— The portion of code in a function that sets up the stack.
- quiet run**— An option that suppresses the normal banner and the progress information.
- raw data**—Executable code or initialized data in an output section.
- run-time environment**—The run time parameters in which your program must function. These parameters are defined by the memory and register conventions, stack organization, function call conventions, and system initialization.
- run-time-support functions**— Standard ISO functions that perform tasks that are not part of the C language (such as memory allocation, string conversion, and string searches).
- run-time-support library**—A library file, `rts.src`, that contains the source for the run time-support functions.
- section**— A relocatable block of code or data that ultimately will be contiguous with other sections in the memory map.
- sign extend**—A process that fills the unused MSBs of a value with the value's sign bit.
- simulator**— A software development system that simulates MSP430 operation.
- source file**—A file that contains C/C++ code or assembly language code that is compiled or assembled to form an object file.
- stand-alone preprocessor**—A software tool that expands macros, `#include` files, and conditional compilation as an independent program. It also performs integrated preprocessing, which includes parsing of instructions.

**static variable**—A variable whose scope is confined to a function or a program. The values of static variables are not discarded when the function or program is exited; their previous value is resumed when the function or program is reentered.

**storage class**—An entry in the symbol table that indicates how to access a symbol.

**string table**—A table that stores symbol names that are longer than eight characters (symbol names of eight characters or longer cannot be stored in the symbol table; instead they are stored in the string table). The name portion of the symbol's entry points to the location of the string in the string table.

**structure**— A collection of one or more variables grouped together under a single name.

**symbol**— A string of alphanumeric characters that represents an address or a value.

**symbolic debugging**—The ability of a software tool to retain symbolic information that can be used by a debugging tool such as a simulator or an emulator.

**target system**—The system on which the object code you have developed is executed.

**.text section**—One of the default object file sections. The .text section is initialized and contains executable code. You can use the .text directive to assemble code into the .text section.

**trigraph sequence**—A 3-character sequence that has a meaning (as defined by the ISO 646-1983 Invariant Code Set). These characters cannot be represented in the C character set and are expanded to one character. For example, the trigraph '???' is expanded to '^'.

**trip count**— The number of times that a loop executes before it terminates.

**uninitialized section**—A object file section that reserves space in the memory map but that has no actual contents. These sections are built with the .bss and .usect directives.

**unsigned value**—A value that is treated as a nonnegative number, regardless of its actual sign.

**variable**— A symbol representing a quantity that can assume any of a set of values.

**vener**— A sequence of instructions that serves as an alternate entry point into a routine if a state change is required.

**word**— A 16-bit addressable location in target memory

\_\_DATE\_\_ macro 35  
 \_\_FILE\_\_ macro 35  
 \_\_LARGE\_CODE\_MODEL\_\_ macro 35  
 \_\_LARGE\_DATA\_MODEL\_\_ macro 35  
 \_\_LINE\_\_ macro 35  
 \_\_MSP430\_\_ macro 35  
 \_\_MSP430X461X\_\_ macro 35  
 \_\_register\_lock() function 129  
 \_\_register\_unlock() function 129  
 \_\_signed\_chars\_\_ macro 35  
 \_\_STACK\_SIZE  
   using 96  
 \_\_STDC\_\_ macro 35  
 \_\_TI\_COMPILER\_VERSION\_\_ macro 35  
 \_\_TIME\_\_ macro 35  
 \_\_unsigned\_chars\_\_ macro 35  
 \_c\_int00 described 68  
 \_INLINE macro 35  
 \_never\_executed intrinsic 57  
 \_SYSMEM\_SIZE 96

## A

-aa alias for --absolute\_listing assembler option 31  
 -a alias for --absolute\_exe linker option 62  
 --abs\_directory compiler option 31  
 -abs alias for --run\_abs linker option 63  
 .abs extension 29  
 abs function 43  
 --absolute\_exe linker option 62  
 --absolute\_listing assembler option 31  
 absolute lister  
   defined 135  
   described 15  
 absolute listing  
   creating 31  
 -ac alias for --syms\_ignore\_case assembler option 32  
 -ad alias for --asm\_define assembler option 31  
 add\_device function 123  
 -ahc alias for --copy\_file assembler option 32  
 -ahi alias for --include\_file assembler option 32  
 -al alias for --asm\_listing assembler option 31  
 alias disambiguation  
   defined 135  
   described 56  
 --aliased\_variables compiler option 27, 52  
 aliased variables 52  
 -@ alias for --cmd\_file compiler option 25

alias for --gen\_func\_subsections compiler option 65  
 aliasing 52  
   defined 135  
 allocate memory  
   sections 69  
 allocation  
   defined 135  
 alt.h pathname 36  
 ANSI  
   C  
     *changing the language mode* 88  
     *compatibility with K&R C* 88  
 ANSI/ISO  
   MSP430 differences from  
     *from standard C++* 72  
 -apd alias for --asm\_dependency assembler option 31  
 -api alias for --asm\_includes assembler option 31  
 archive library  
   defined 135  
   linking 66  
 archiver  
   defined 135  
   described 15  
 --arg\_size linker option 62  
 -args alias for --arg\_size linker option 62  
 .args section  
   allocating in memory 69  
 arguments  
   accessing 103  
 -ar linker option 62  
 -as alias for --output\_all\_syms assembler option 32  
 --asm\_define assembler option 31  
 --asm\_dependency assembler option 31  
 --asm\_directory compiler option 31  
 --asm\_extension compiler option 30  
 --asm\_file compiler option 30  
 --asm\_includes assembler option 31  
 --asm\_listing assembler option 31  
 --asm\_undefine assembler option 31  
 .asm extension 29  
 asm statement  
   described 77  
   in optimized code 52  
   using 106  
 assembler  
   controlling with compiler 31  
   defined 135

- described [15](#)
- options summary [23](#)
- assembly language
  - accessing
    - constants* [105](#)
    - global variables* [104](#)
    - variables* [104](#)
  - code interfacing [103](#)
  - embedding [77](#)
  - including [106](#)
  - interlisting with C/C++ code [44](#)
  - interrupt routines [107](#)
  - module interfacing [103](#)
  - retaining output [26](#)
- assembly listing file creation [31](#)
- assembly source debugging [29](#)
- assignment statement
  - defined [135](#)
- au alias for --asm\_undefine assembler option [31](#)
- auto\_inline compiler option [53](#)
- autoinitialization
  - at run time
    - defined [135](#)
    - described [114](#)
  - defined [135](#)
  - initialization tables [112](#)
  - of variables [112](#)
  - types of [68](#)
- ax alias for --cross\_reference assembler option [32](#)

## B

- b alias for --no\_sym\_merge linker option [63](#)
- banner suppressing [26](#)
- bit fields
  - size and type [89](#)
- block
  - defined [135](#)
  - memory allocation [69](#)
- branch optimizations [56](#)
- .bss section
  - allocating in memory [69](#)
  - defined [135](#)
  - described [95](#)
- byte
  - defined [135](#)

## C

- C++
  - standard library summary [118](#)
- c\_extension compiler option [30](#)
- c\_file compiler option [30](#)
- c\_int00 symbol [111](#)
- C\_OPTION [32](#)
- c\_src\_interlist compiler option [25, 53](#)
- c\_src\_interlist option
  - compiler [44](#)

- c alias for --compile\_only compiler option [25](#)
- c alias for --rom\_model linker option [63, 68, 114](#)
- call\_assumptions compiler option [50](#)
- calling conventions
  - accessing arguments and local variables [103](#)
  - how a called function responds [102](#)
  - how a function makes a call [102](#)
- calloc function
  - dynamic memory allocation [96](#)
- C/C++ compiler
  - defined [135](#)
  - described [15](#)
- C/C++ language
  - accessing assembler constants [105](#)
  - accessing assembler global variables [104](#)
  - accessing assembler variables [104](#)
  - const keyword [74](#)
  - global constructors and destructors [68](#)
  - interlisting with assembly [44](#)
  - interrupt keyword [74](#)
  - placing assembler statements in [106](#)
  - pragma directives [78](#)
  - restrict keyword [75](#)
  - volatile keyword [75](#)
- .c extension [29](#)
- character
  - escape sequences in [89](#)
  - string constants [99](#)
- .cinit section
  - allocating in memory [69](#)
  - assembly module use of [103](#)
  - described [95](#)
- C I/O
  - library [121](#)
- cl6x command [61](#)
- cl430 invoking [18](#)
- cl430 --run\_linker command [60](#)
- C language
  - interrupt routines [106](#)
- C++ language characteristics [72](#)
- close I/O function [124](#)
- cmd\_file compiler option [25](#)
- C++ name demangler
  - described [15, 16, 131](#)
  - example [132](#)
  - invoking [132](#)
  - options [132](#)
- CODE\_SECTION pragma [79](#)
- code generator
  - defined [135](#)
- COFF
  - defined [135](#)
- command file
  - appending to command line [25](#)
  - defined [136](#)
  - linker [69](#)

- comments
    - defined [136](#)
  - common object file format
    - defined [135](#)
  - compatibility with K&R C [88](#)
  - compile\_only compiler option [25](#)
  - compiler
    - defined [135](#)
    - diagnostic messages [38](#)
    - diagnostic options [39](#)
    - frequently used options [25](#)
    - invoking [18](#)
    - optimizer [48](#)
    - options
      - assembler* [23](#)
      - compiler* [19](#)
      - conventions* [19](#)
      - deprecated* [32](#)
      - diagnostics* [22](#)
      - input file extension* [20](#)
      - input files* [20](#)
      - linker* [24, 25](#)
      - optimizer* [23](#)
      - output files* [20](#)
      - parser* [21](#)
      - profiling* [20](#)
      - summary* [19](#)
      - symbolic debugging* [20](#)
    - overview [16, 18](#)
    - preprocessor options [37](#)
    - sections [69](#)
    - setting default options with MSP430\_C\_OPTION [32](#)
  - compiling C/C++ code
    - after preprocessing [37](#)
    - compile only [27](#)
    - overview, commands, and options [18](#)
    - with the optimizer [48](#)
  - compress\_dwarf linker option [62](#)
  - configured memory
    - defined [136](#)
  - constant
    - accessing assembler constants from C/C++ [105](#)
    - character strings [99](#)
    - defined [136](#)
    - escape sequences in character constants [89](#)
    - string [89](#)
  - const keyword [74](#)
  - .const section
    - allocating in memory [69](#)
    - described [95](#)
  - control-flow simplification [56](#)
  - controlling diagnostic messages [39](#)
  - conventions
    - function calls [101](#)
    - register [100](#)
  - copy\_file assembler option [32](#)
  - copy file using -ahc assembler option [32](#)
  - cost-based register allocation optimization [56](#)
  - cpp\_default compiler option [30](#)
  - cpp\_extension compiler option [30](#)
  - cpp\_file compiler option [30](#)
  - cr alias for --ram\_model linker option [63, 68, 114](#)
  - create\_pch compiler option [34](#)
  - cross\_reference assembler option [32](#)
  - cross-reference lister
    - described [15](#)
  - cross-reference listing
    - defined [136](#)
    - generating with assembler [32](#)
    - generating with compiler shell [41](#)
- ## D
- D alias for --define\_name compiler option [25](#)
  - DATA\_ALIGN pragma [80](#)
  - DATA\_SECTION pragma [81](#)
  - data flow optimizations [56](#)
  - data object representation [97](#)
  - .data section [95](#)
    - defined [136](#)
  - data types
    - how stored in memory [97](#)
    - list of [73](#)
    - storage [97](#)
      - pointer to member function* [98](#)
  - debugging
    - optimized code [55](#)
  - define\_name compiler option [25](#)
  - define linker option [62](#)
  - dem430 [132](#)
  - deprecated compiler options [32](#)
  - development flow diagram [14](#)
  - device
    - adding [128](#)
    - functions [123](#)
  - diag\_error compiler option [39](#)
  - diag\_error linker option [62](#)
  - diag\_remark compiler option [39](#)
  - diag\_remark linker option [62](#)
  - diag\_suppress compiler option [40](#)
  - diag\_suppress linker option [62](#)
  - diag\_warning compiler option [40](#)
  - diag\_warning linker option [62](#)
  - diagnostic identifiers in raw listing file [42](#)
  - diagnostic messages
    - controlling [39](#)
    - description [38](#)
    - errors [38](#)
    - fatal errors [38](#)
    - format [38](#)
    - generating [39](#)
    - other messages [41](#)

- remarks [38](#)
- suppressing [39](#)
- warnings [38](#)
- direct call
  - defined [136](#)
- directives
  - defined [136](#)
- directories
  - alternate for include files [36](#)
  - for include files [26, 36](#)
  - naming alternates with environment variables [33](#)
  - specifying [31](#)
- disable
  - automatic inline expansion [53](#)
  - automatic selection of run-time-support library [67](#)
  - conditional linking [62](#)
  - linking [61](#)
  - merge of symbolic debugging information [63](#)
  - optimization information file [49](#)
  - symbolic debugging [29](#)
- disable\_auto\_rts linker option [62, 67](#)
- disable\_clink linker option [62](#)
- disable\_pp linker option [62](#)
- display\_error\_number compiler option [40](#)
- display\_error\_number linker option [62](#)
- display compiler syntax and options
  - help compiler option [26](#)
- display progress and toolset data
  - verbose compiler option [27](#)
- DWARF debug format [29](#)
- dynamic memory allocation
  - defined [136](#)
  - described [96](#)

## E

- ea alias for --asm\_extension compiler option [30](#)
- e alias for --entry\_point linker option [62](#)
- ec alias for --c\_extension compiler option [30](#)
- ELF
  - defined [136](#)
- embedded\_cpp compiler option [89](#)
- embedded C++ mode [89](#)
- emulator
  - defined [136](#)
- entry\_hook compiler option [46](#)
- entry\_param compiler option [46](#)
- entry\_point linker option [62](#)
- entry hooks
  - entry\_hook option [46](#)
- entry hooks parameters
  - entry\_param option [46](#)
- entry point
  - defined [136](#)
- environment variable
  - defined [136](#)
  - MSP430\_C\_DIR [33, 36](#)

- MSP430\_C\_OPTION [32](#)
- eo alias for --obj\_extension compiler option [30](#)
- ep alias for --cpp\_extension compiler option [30](#)
- epilog
  - defined [136](#)
- EPROM programmer [15](#)
- error
  - messages [38](#)
    - handling with options [40](#)
    - preprocessor [35](#)
- es alias for --listing\_extension compiler option [30](#)
- escape sequences [89](#)
- establishing standard macro definitions [26](#)
- exception handling
  - exceptions compiler option [25](#)
- exceptions compiler option [25](#)
- executable and linking format
  - defined [136](#)
- executable module
  - defined [136](#)
- exit\_hook compiler option [46](#)
- exit\_param compiler option [46](#)
- exit hooks
  - exit\_hook option [46](#)
- exit hooks parameters
  - exit\_param option [46](#)
- expression
  - defined [136](#)
  - simplification [56](#)
- extensions
  - abs [29](#)
  - asm [29](#)
  - c [29](#)
  - cc [29](#)
  - cpp [29](#)
  - cxx [29](#)
  - nfo [49](#)
  - obj [29](#)
  - s [29](#)
  - sa [29](#)
  - specifying [30](#)
- external declarations [88](#)
- external symbol
  - defined [136](#)

## F

- fa alias for --asm\_file compiler option [30](#)
- fabs function [43](#)
- f alias for --fill\_value linker option [62](#)
- fatal error [38](#)
- fb alias for --abs\_directory compiler option [31](#)
- fc alias for --c\_file compiler option [30](#)
- ff alias for --list\_directory compiler option [31](#)
- fg alias for --cpp\_default compiler option [30](#)
- file
  - copy [32](#)

include 32  
 file-level optimization 49  
   defined 136  
 filename  
   extension specification 30  
   specifying 29  
 --fill\_value linker option 62  
 -fo alias for --obj\_file compiler option 30  
 --fp\_mode compiler option 26  
 --fp\_reassoc compiler option 26  
 -fp alias for --cpp\_file compiler option 30  
 -fr alias for --obj\_directory compiler option 31  
 -fs alias for --asm\_directory compiler option 31  
 -ft alias for --temp\_directory compiler option 31  
 FUNC\_CANNOT\_INLINE pragma 82  
 FUNC\_EXT\_CALLED pragma  
   described 82  
   use with --program\_level\_compile option 51  
 FUNC\_IS\_PURE pragma 83  
 FUNC\_NEVER\_RETURNS pragma 83  
 FUNC\_NO\_GLOBAL\_ASG pragma 83  
 FUNC\_NO\_IND\_ASG pragma 84  
 function  
   call  
     conventions 101  
     using the stack 96  
   inline expansion 43, 57  
   inlining defined 136  
   prototype  
     effects of --kr\_compatible option 88  
   responsibilities of called function 102  
   responsibilities of calling function 102  
   structure 101  
   subsections 65  
  
**G**  
 -g alias for --make\_global linker option 63  
 -gcc compiler option 27  
 GCC extensions to C  
   built-in functions 91  
   function attributes 91  
   list supported by TI 90  
 -g compiler option 29  
 --gen\_acp\_raw compiler option 42  
 --gen\_acp\_xref compiler option 41  
 --gen\_func\_subsections compiler option 65  
 --gen\_opt\_info compiler option 49  
 --generate\_dead\_funcs\_list linker option 62  
 generating  
   linknames 86  
   list of #include files 38  
   symbolic debugging directives 29  
 global constructors and destructors 68  
 global symbol  
   defined 136  
 global variables

accessing assembler variables from C/C++ 104  
 autoinitialization 112  
 initializing 87  
   reserved space 95  
 GNU compiler extensions 90

## H

-h alias for --help compiler option 26  
 -h alias for --make\_static linker option 63  
 handling reentrancy  
   --register\_lock() and \_\_register\_unlock() 129  
 -h C++ name demangler option 132  
 heap  
   described 96  
   reserved space 95  
 --heap\_size linker option 62  
 -heap alias for --heap\_size linker option 62  
 -help alias for --linker\_help linker option 63  
 --help compiler option 26  
 hex conversion utility  
   described 15  
 high-level language debugging  
   defined 137

## I

-I alias for --include\_path compiler option 26, 36  
 -i alias for --search\_path linker option 63  
 -I compiler option 36  
 #include  
   files  
     adding a directory to be searched 26  
     specifying a search path 36  
   preprocessor directive 36  
     generating list of files included 38  
 --include\_file assembler option 32  
 --include\_path compiler option 26, 36  
 include files using --include\_file assembler option 32  
 indirect call  
   defined 137  
 initialization  
   at load time  
     defined 137  
     described 114  
   of variables 87  
     at load time 97  
     at run time 97  
   types 68  
 initialization tables 112  
 initialized sections  
   allocating in memory 69  
   defined 137  
   described 95  
 initializing static and global variables 87  
   with const type qualifier 87  
   with the linker 87  
 inline



- assembly language [106](#)
- automatic expansion [53](#)
- definition-controlled function expansion [43](#)
- function expansion [43](#)
- intrinsic operators [43](#)
- keyword and alternate keyword `__inline` [43](#)
- input file
  - changing default extensions [30](#)
  - changing interpretation of filenames [30](#)
  - default extensions [29](#)
  - extensions
    - summary of options* [20](#)
    - summary of options [20](#)
- integrated preprocessor
  - defined [137](#)
- interfacing C and assembly [103](#)
- interlist utility
  - C/C++ source with generated assembly [25](#)
  - defined [137](#)
  - described [15](#)
  - invoking with compiler [44](#)
  - optimizer comments or C/C++ source with assembly [27](#)
  - used with the optimizer [53](#)
- interrupt
  - handling
    - described* [106](#)
    - saving registers* [74, 106](#)
  - routines
    - assembly language* [107](#)
    - C/C++ language* [106](#)
- interrupt keyword [74](#)
- INTERRUPT pragma [84](#)
- intrinsic run-time-support routines [107](#)
- intrinsics
  - defined [137](#)
  - inlining operators [43](#)
- invoking
  - C++ name demangler [132](#)
  - compiler [18](#)
  - linker
    - through compiler* [60](#)
- invoking the
  - library-build process [130](#)
- I/O
  - adding a device [128](#)
  - functions
    - close* [124](#)
    - lseek* [124](#)
    - open* [125](#)
    - read* [126](#)
    - rename* [126](#)
    - unlink* [127](#)
    - write* [127](#)
  - implementation overview [121](#)
  - library [121](#)
- ISO
  - defined [137](#)
  - standards overview [16](#)
- `--issue_remarks` compiler option [40](#)
- `--issue_remarks` linker option [62](#)
- J**
- `-j` alias for `--disable_clink` linker option [62](#)
- K**
- `-k` alias for `--keep_asm` compiler option [26](#)
- K&R C
  - compatibility with ANSI C [88](#)
  - defined [137](#)
- `--keep_asm` compiler option [26](#)
- keyword
  - `const` [74](#)
  - `interrupt` [74](#)
  - `restrict` [75](#)
  - `volatile` [75](#)
- `--kr_compatible` compiler option [88](#)
- L**
- label
  - case sensitivity
    - `--syms_ignore_case` compiler option [32](#)
  - defined [137](#)
  - retaining [32](#)
- labs function [43](#)
- `-l` alias for `--library` linker option [63, 66](#)
- `--large_memory_model` compiler option [27](#)
- libraries
  - run-time support [118](#)
- library
  - building [120](#)
  - modifying a function [120](#)
- library-build process [129](#)
  - described [15](#)
  - non-TI software [130](#)
  - using [130](#)
- `-library` linker option [60, 63, 66](#)
- linker
  - command file [69](#)
  - controlling [66](#)
  - defined [137](#)
  - described [15](#)
  - disabling [61](#)
  - invoking [26](#)
  - invoking through the compiler [60](#)
    - as part of the compile step* [61](#)
    - as separate step* [60](#)
  - options [62](#)
  - summary of options [24, 25](#)
  - suppressing [25](#)
- `--linker_help` linker option [63](#)
- linking

C/C++ code [59](#)  
 object library [119](#)  
 run-time-support libraries  
   *automatic selection* [67](#)  
 with run-time-support libraries [66](#)  
 linknames  
   and interrupts [107](#)  
 linknames generated by the compiler [86](#)  
 -list\_directory compiler option [31](#)  
 --listing\_extension compiler option [30](#)  
 listing file  
   creating cross-reference [32](#)  
   defined [137](#)  
   generating with preprocessor [42](#)  
 loader  
   defined [137](#)  
   using with linker [87](#)  
 local variables  
   accessing [103](#)  
 loop-invariant optimizations [57](#)  
 loop rotation optimization [57](#)  
 loops  
   optimization [57](#)  
 loop unrolling  
   defined [137](#)  
 lseek I/O function [124](#)

## M

-ma alias for --aliased\_variables compiler option [27, 52](#)  
 macro  
   defined [137](#)  
   expansions [35](#)  
   macro call defined [137](#)  
   macro definition defined [137](#)  
   macro expansion defined [137](#)  
   predefined names [35](#)  
 --make\_global linker option [63](#)  
 --make\_static linker option [63](#)  
 -m alias for --map\_file linker option [63](#)  
 malloc function  
   dynamic memory allocation [96](#)  
 --map\_file linker option [63](#)  
 map file  
   defined [137](#)  
 --mapfile\_contents linker option [63](#)  
 -mc alias for --plain\_char compiler option [28](#)  
 -mc compiler option [28](#)  
 memory map  
   defined [137](#)  
 memory model  
   described [94](#)  
   dynamic memory allocation [96](#)  
   sections [95](#)  
   stack [96](#)  
   variable initialization [97](#)  
 memory pool

  reserved space [95](#)  
 -mf alias for --opt\_for\_speed compiler option [27](#)  
 -ml alias for --large\_memory\_model compiler option [27](#)  
 MSP430\_C\_DIR [33](#)  
 MSP430\_C\_DIR environment variable [36](#)  
 MSP430\_C\_OPTION [32](#)

## N

-n alias for --skip\_assembler compiler option [27](#)  
 name demangler  
   described [15](#)  
 name mangling  
   defined [137](#)  
 .nfo extension [49](#)  
 --no\_demangle linker option [63](#)  
 NO\_HOOKS pragma [85](#)  
 --no\_inlining compiler option [43](#)  
 --no\_sym\_merge linker option [63](#)  
 --no\_sym\_table option  
   linker [63](#)  
 --no\_warnings compiler option [40](#)  
 --no\_warnings linker option [63](#)

## O

-O3 alias for --opt\_level=3 compiler option [49](#)  
 -O alias for --opt\_level compiler option [48](#)  
 -o alias for --output\_file linker option [63](#)  
 --obj\_directory compiler option [31](#)  
 --obj\_extension compiler option [30](#)  
 --obj\_file compiler option [30](#)  
 object file  
   defined [137](#)  
 object library  
   defined [138](#)  
   linking code with [119](#)  
 object module  
   defined [138](#)  
 .obj extension [29](#)  
 -o C++ name demangler option [132](#)  
 -oi alias for --auto\_inline compiler option [53](#)  
 -ol0 alias for --std\_lib\_func\_redefined compiler option [49](#)  
 -ol1 alias for --std\_lib\_func\_defined compiler option [49](#)  
 -ol2 alias for --std\_lib\_func\_not\_defined compiler option [49](#)  
 -on alias for --gen\_opt\_info compiler option [49](#)  
 -op alias for --call\_assumptions compiler option [50](#)  
 open I/O function [125](#)  
 operand  
   defined [138](#)  
 --opt\_for\_speed compiler option [27](#)  
 --opt\_level=3 compiler option [49](#)  
 --opt\_level compiler option [48](#)  
 optimization  
   accessing aliased variables [52](#)  
 optimizations  
   alias disambiguation [56](#)  
   branch [56](#)

- considerations when mixing C/C++ and assembly [51](#)
  - control-flow simplification [56](#)
  - controlling the level of [50](#)
  - cost based register allocation [56](#)
  - data flow [56](#)
  - expression simplification [56](#)
  - file-level
    - defined* [136](#)
    - described* [49](#)
  - induction variables [57](#)
  - information file options [49](#)
  - inline expansion [57](#)
  - levels [48](#)
  - list of [55](#)
  - loop-invariant code motion [57](#)
  - loop rotation [57](#)
  - MSP430-specific
    - integer division with constant divisor* [57](#)
    - tail merging* [57](#)
  - program-level
    - defined* [138](#)
    - described* [50](#)
  - specific
    - Never\_Executed intrinsic* [57](#)
  - strength reduction [57](#)
  - optimize\_with\_debug compiler option [27](#)
  - optimized code
    - debugging [55](#)
  - optimizer
    - defined* [138](#)
    - described* [15](#)
    - invoking with compiler options [48](#)
    - performing file-level optimization [49](#)
    - summary of options [23](#)
  - optimizer\_interlist compiler option [53](#)
  - options
    - aliases
      - compiler* [19](#)
      - linker* [62](#)
    - assembler [31](#)
    - C++ name demangler [132](#)
    - compiler summary [19](#)
    - controlling hooks [21](#)
    - conventions [19](#)
    - defined* [138](#)
    - diagnostics [22, 39](#)
    - linker [62](#)
    - preprocessor [22, 37](#)
  - os alias for --optimizer\_interlist compiler option [53](#)
  - output
    - file options summary [20](#)
    - module
      - defined* [138](#)
    - overview of files [16](#)
    - section
      - defined* [138](#)
  - output\_all\_syms assembler option [32](#)
  - output\_file linker option [60, 63](#)
  - overflow
    - run-time stack [111](#)
- ## P
- parameters
    - compiling register parameters [76](#)
  - parser
    - defined* [138](#)
    - summary of options [21](#)
  - pch\_dir compiler option [34](#)
  - pch\_verbose compiler option [34](#)
  - pch compiler option [34](#)
  - pdel alias for --set\_error\_limit compiler option [40](#)
  - pden alias for --diag\_error\_number compiler option [40](#)
  - pdf alias for --write\_diagnostics\_file compiler option [40](#)
  - pdr alias for --issue\_remarks compiler option [40](#)
  - pds alias for --diag\_suppress compiler option [40](#)
  - pdse alias for --diag\_error compiler option [39](#)
  - pdsr alias for --diag\_remark compiler option [39](#)
  - pdsr alias for --diag\_warning compiler option [40](#)
  - pdv alias for --verbose\_diagnostics compiler option [40](#)
  - pdw alias for --no\_warnings compiler option [40](#)
  - pe alias for --embedded\_cpp compiler option [89](#)
  - performing file-level optimization [49](#)
  - pi alias for --no\_inlining compiler option [43](#)
  - .pinit section
    - allocating in memory [69](#)
    - described* [95](#)
  - pinit symbol [68](#)
  - pipelining
    - defined* [138](#)
  - pk alias for --kr\_compatible compiler option [88](#)
  - pl alias for --gen\_acp\_raw compiler option [42](#)
  - pm alias for --program\_level\_compile compiler option [50](#)
  - pointer combinations [88](#)
  - ppa alias for --preproc\_with\_compile compiler option [37](#)
  - ppc alias for --preproc\_with\_comments compiler option [37](#)
  - ppd alias for --preproc\_dependency compiler option [38](#)
  - ppd alias for --preproc\_includes compiler option [38](#)
  - ppl alias for --preproc\_with\_line compiler option [37](#)
  - ppo alias for --preproc\_only compiler option [37](#)
  - pragma
    - defined* [138](#)
  - pragma directives [78](#)
    - CODE\_SECTION [79](#)
    - DATA\_ALIGN [80](#)
    - DATA\_SECTION [81](#)
    - FUNC\_CANNOT\_INLINE [82](#)
    - FUNC\_EXT\_CALLED [82](#)
    - FUNC\_IS\_PURE [83](#)
    - FUNC\_NEVER\_RETURNS [83](#)

- FUNC\_NO\_GLOBAL\_ASG 83
  - FUNC\_NO\_IND\_ASG 84
  - INTERRUPT 84
  - NO\_HOOKS 85
  - vector 85
  - pr alias for --relaxed\_ansi compiler option 89
  - precompiled header support 34
    - automatic 34
    - manual 34
  - predefining a constant 31
  - preinclude compiler option 26
  - preinitialized variables
    - global and static 87
  - preproc\_dependency compiler option 38
  - preproc\_includes compiler option 38
  - preproc\_only compiler option 37
  - preproc\_with\_comments compiler option 37
  - preproc\_with\_compile compiler option 37
  - preproc\_with\_line compiler option 37
  - preprocessed listing file
    - assembly dependency lines 31
    - assembly include files 31
    - generating raw information 42
    - generating with comments 37
    - generating with #line directives 37
  - preprocessor
    - controlling 35
    - defined 138
    - error messages 35
    - options 37
    - predefining constant names for option 25
    - symbols 35
  - printf\_support compiler option 28
  - printing tool version numbers
    - tool\_version compiler option 27
  - priority alias for --priority linker option 63
  - priority linker option 63
  - program\_level\_compile compiler option 50
  - program-level optimization
    - controlling 50
    - defined 138
    - performing 50
  - progress information suppressing 26
  - prolog
    - defined 138
  - ps alias for --strict\_ansi compiler option 89
  - px alias for --gen\_acp\_xref compiler option 41
- Q**
- q alias for --quiet compiler option 26
  - quiet compiler option 26
  - quiet run
    - defined 138
- R**
- r alias for --relocatable linker option 63
  - ram\_model linker option 60, 63, 68, 114
  - ram\_model link option
    - system initialization 111
  - raw data
    - defined 138
  - raw listing file
    - generating with -pl option 42
    - identifiers 42
  - read I/O function 126
  - realloc function 96
  - reassociation of floating-point arithmetic
    - fp\_reassoc option 26
  - reassociation of saturating arithmetic
    - sat\_reassoc option 27
  - register parameters
    - compiling 76
  - registers
    - allocation 100
    - conventions 100
    - saving during interrupts 74, 106
  - register variables
    - compiling 76
  - relaxed\_ansi compiler option 89
  - relaxed ANSI/ISO mode 89
  - relaxed ANSI mode 89
  - relaxed floating-point mode
    - fp\_mode option 26
  - relocatable linker option 63
  - remarks 38
  - rename I/O function 126
  - reread\_libs linker option 63
  - restrict keyword 75
  - rom\_model linker option 60, 63, 68, 114
  - rom\_model link option
    - system initialization 111
  - run\_abs linker option 63
  - run\_linker compiler option 26
    - overriding with --rom\_model compiler option 61
  - run-time environment
    - defined 138
    - function call conventions 101
    - interfacing C with assembly language 103
    - interrupt handling
      - described 106
      - saving registers 74, 106
    - introduction 93
    - memory model
      - during autoinitialization 97
      - dynamic memory allocation 96
      - sections 95
    - register conventions 100
    - stack 96
    - system initialization 111
  - run-time initialization
    - of variables 97
  - run-time-support

- functions
    - defined* [138](#)
    - introduction* [117](#)
  - intrinsic arithmetic and conversion routines [107](#)
  - libraries
    - described* [118](#)
    - functionality summarized* [118](#)
    - library-build process* [129](#)
    - linking C code* [60, 66](#)
  - library
    - defined* [138](#)
    - described* [15](#)
- S**
- .sa extension* [29](#)
  - s alias for --no\_sym\_table linker option* [63](#)
  - s alias for --src\_interlist compiler option* [27](#)
  - sat\_reassoc compiler option* [27](#)
  - saving registers
    - during interrupts [106](#)
  - saving registers during interrupts [74](#)
  - scan\_libraries linker option* [63](#)
  - search\_path linker option* [63](#)
  - section
    - allocating memory [69](#)
    - .bss* [95](#)
    - .cinit* [95](#)
    - .const* [95](#)
    - created by the compiler [69](#)
    - .data* [95](#)
    - defined [138](#)
    - described [95](#)
    - initialized [95](#)
    - .pinit* [95](#)
    - .stack* [95](#)
    - .systemem* [95](#)
    - .text* [95](#)
    - uninitialized [95](#)
  - set\_error\_limit compiler option* [40](#)
  - set\_error\_limit linker option* [64](#)
  - .s extension* [29](#)
  - sign extend
    - defined [138](#)
  - silicon\_version compiler option* [28](#)
  - simulator
    - defined [138](#)
  - skip\_assembler compiler option* [27](#)
  - small\_enum compiler option* [28](#)
  - software development tools overview [14](#)
  - source file
    - defined [138](#)
    - extensions [30](#)
  - src\_interlist compiler option* [27](#)
  - ss alias for --c\_src\_interlist compiler option* [25, 44, 53](#)
  - stack
    - changing the size [111](#)
    - overflow
      - run-time stack* [111](#)
    - pointer [96, 111](#)
    - reserved space [95](#)
    - stack\_size linker option* [64](#)
    - stack\_size link option* [111](#)
    - stack alias for --stack\_size linker option* [64](#)
    - .stack section
      - allocating in memory [69](#)
      - described [95](#)
    - stand-alone preprocessor
      - defined [138](#)
    - static variable
      - defined [139](#)
      - initializing [87](#)
    - std\_lib\_func\_defined compiler option* [49](#)
    - std\_lib\_func\_not\_defined compiler option* [49](#)
    - std\_lib\_func\_redefined compiler option* [49](#)
    - storage class
      - defined [139](#)
    - strength reduction optimization [57](#)
    - strict\_ansi compiler option* [89](#)
    - strict\_compatibility linker option* [64](#)
    - strict ANSI/ISO mode [89](#)
    - strict ANSI mode [89](#)
    - string constants [89](#)
    - structure
      - defined [139](#)
    - STYP\_COPY flag [68](#)
    - suppressing diagnostic messages [39](#)
    - symbol
      - defined [139](#)
    - symbol\_map linker option* [64](#)
    - symbolic cross-reference in listing file [32](#)
    - symbolic debugging
      - defined [139](#)
      - disabling [29](#)
      - minimal (default) [29](#)
      - selecting DWARF format version [29](#)
      - using DWARF format [29](#)
    - symbols
      - case sensitivity [32](#)
    - symbol table
      - creating labels [32](#)
    - symdebug:dwarf compiler option* [29](#)
    - symdebug:none compiler option* [29](#)
    - symdebug:skeletal compiler option* [29](#)
    - syms\_ignore\_case assembler option* [32](#)
    - .systemem section
      - allocating in memory [69](#)
      - described [95](#)
    - system constraints
      - \_SYSTEMEM\_SIZE [96](#)
    - system initialization
      - described [111](#)
      - initialization tables [112](#)

- stack [111](#)
  - system stack [96](#)
- T**
- target system
    - defined [139](#)
  - temp\_directory compiler option [31](#)
  - .text section
    - allocating in memory [69](#)
    - defined [139](#)
    - described [95](#)
  - tool\_version compiler option [27](#)
  - trigraph sequence
    - defined [139](#)
  - trip count
    - defined [139](#)
- U**
- u alias for --undef\_sym linker option [64](#)
  - U alias for --undefine\_name compiler option [27](#)
  - u C++ name demangler option [132](#)
  - undef\_sym linker option [64](#)
  - undefine\_name compiler option [27](#)
  - undefine linker option [64](#)
  - undefining a constant [27, 31](#)
  - uninitialized sections
    - allocating in memory [69](#)
    - defined [139](#)
    - list [95](#)
  - unlink I/O function [127](#)
  - unsigned
    - defined [139](#)
  - use\_pch compiler option [34](#)
  - using smallest byte size for enum type
    - small\_enum compiler option [28](#)
  - utilities
    - overview [16](#)
- V**
- v alias for --silicon\_version compiler option [28](#)
  - v alias for --verbose compiler option [27](#)
  - variables
    - accessing assembler variables from C/C++ [104](#)
    - accessing local variables [103](#)
    - autoinitialization [112](#)
    - compiling register variables [76](#)
    - defined [139](#)
    - initializing
      - global [87](#)
      - static [87](#)
  - v C++ name demangler option [132](#)
  - vector pragma [85](#)
  - veneer
    - defined [139](#)
  - verbose\_diagnostics compiler option [40](#)
  - verbose\_diagnostics linker option [64](#)
  - verbose compiler option [27](#)
  - version alias for --tool\_version compiler option [27](#)
  - volatile keyword [75](#)
- W**
- w alias for --warn\_sections linker option [64](#)
  - warn\_sections linker option [64](#)
  - warning messages [38](#)
  - wildcards
    - use
      - compiler [29](#)
  - word
    - defined [139](#)
  - write\_diagnostics\_file compiler option [40](#)
  - write I/O function [127](#)
- X**
- >> symbol [41](#)
  - x alias for --reread\_libs linker option [63](#)
  - xml\_link\_info linker option [64](#)
- Z**
- z alias for --run\_linker compiler option [26](#)

## IMPORTANT NOTICE

Texas Instruments Incorporated and its subsidiaries (TI) reserve the right to make corrections, modifications, enhancements, improvements, and other changes to its products and services at any time and to discontinue any product or service without notice. Customers should obtain the latest relevant information before placing orders and should verify that such information is current and complete. All products are sold subject to TI's terms and conditions of sale supplied at the time of order acknowledgment.

TI warrants performance of its hardware products to the specifications applicable at the time of sale in accordance with TI's standard warranty. Testing and other quality control techniques are used to the extent TI deems necessary to support this warranty. Except where mandated by government requirements, testing of all parameters of each product is not necessarily performed.

TI assumes no liability for applications assistance or customer product design. Customers are responsible for their products and applications using TI components. To minimize the risks associated with customer products and applications, customers should provide adequate design and operating safeguards.

TI does not warrant or represent that any license, either express or implied, is granted under any TI patent right, copyright, mask work right, or other TI intellectual property right relating to any combination, machine, or process in which TI products or services are used. Information published by TI regarding third-party products or services does not constitute a license from TI to use such products or services or a warranty or endorsement thereof. Use of such information may require a license from a third party under the patents or other intellectual property of the third party, or a license from TI under the patents or other intellectual property of TI.

Reproduction of TI information in TI data books or data sheets is permissible only if reproduction is without alteration and is accompanied by all associated warranties, conditions, limitations, and notices. Reproduction of this information with alteration is an unfair and deceptive business practice. TI is not responsible or liable for such altered documentation. Information of third parties may be subject to additional restrictions.

Resale of TI products or services with statements different from or beyond the parameters stated by TI for that product or service voids all express and any implied warranties for the associated TI product or service and is an unfair and deceptive business practice. TI is not responsible or liable for any such statements.

TI products are not authorized for use in safety-critical applications (such as life support) where a failure of the TI product would reasonably be expected to cause severe personal injury or death, unless officers of the parties have executed an agreement specifically governing such use. Buyers represent that they have all necessary expertise in the safety and regulatory ramifications of their applications, and acknowledge and agree that they are solely responsible for all legal, regulatory and safety-related requirements concerning their products and any use of TI products in such safety-critical applications, notwithstanding any applications-related information or support that may be provided by TI. Further, Buyers must fully indemnify TI and its representatives against any damages arising out of the use of TI products in such safety-critical applications.

TI products are neither designed nor intended for use in military/aerospace applications or environments unless the TI products are specifically designated by TI as military-grade or "enhanced plastic." Only products designated by TI as military-grade meet military specifications. Buyers acknowledge and agree that any such use of TI products which TI has not designated as military-grade is solely at the Buyer's risk, and that they are solely responsible for compliance with all legal and regulatory requirements in connection with such use.

TI products are neither designed nor intended for use in automotive applications or environments unless the specific TI products are designated by TI as compliant with ISO/TS 16949 requirements. Buyers acknowledge and agree that, if they use any non-designated products in automotive applications, TI will not be responsible for any failure to meet such requirements.

Following are URLs where you can obtain information on other Texas Instruments products and application solutions:

### Products

|                             |                                                                    |
|-----------------------------|--------------------------------------------------------------------|
| Amplifiers                  | <a href="http://amplifier.ti.com">amplifier.ti.com</a>             |
| Data Converters             | <a href="http://dataconverter.ti.com">dataconverter.ti.com</a>     |
| DSP                         | <a href="http://dsp.ti.com">dsp.ti.com</a>                         |
| Clocks and Timers           | <a href="http://www.ti.com/clocks">www.ti.com/clocks</a>           |
| Interface                   | <a href="http://interface.ti.com">interface.ti.com</a>             |
| Logic                       | <a href="http://logic.ti.com">logic.ti.com</a>                     |
| Power Mgmt                  | <a href="http://power.ti.com">power.ti.com</a>                     |
| Microcontrollers            | <a href="http://microcontroller.ti.com">microcontroller.ti.com</a> |
| RFID                        | <a href="http://www.ti-rfid.com">www.ti-rfid.com</a>               |
| RF/IF and ZigBee® Solutions | <a href="http://www.ti.com/lprf">www.ti.com/lprf</a>               |

### Applications

|                    |                                                                          |
|--------------------|--------------------------------------------------------------------------|
| Audio              | <a href="http://www.ti.com/audio">www.ti.com/audio</a>                   |
| Automotive         | <a href="http://www.ti.com/automotive">www.ti.com/automotive</a>         |
| Broadband          | <a href="http://www.ti.com/broadband">www.ti.com/broadband</a>           |
| Digital Control    | <a href="http://www.ti.com/digitalcontrol">www.ti.com/digitalcontrol</a> |
| Medical            | <a href="http://www.ti.com/medical">www.ti.com/medical</a>               |
| Military           | <a href="http://www.ti.com/military">www.ti.com/military</a>             |
| Optical Networking | <a href="http://www.ti.com/opticalnetwork">www.ti.com/opticalnetwork</a> |
| Security           | <a href="http://www.ti.com/security">www.ti.com/security</a>             |
| Telephony          | <a href="http://www.ti.com/telephony">www.ti.com/telephony</a>           |
| Video & Imaging    | <a href="http://www.ti.com/video">www.ti.com/video</a>                   |
| Wireless           | <a href="http://www.ti.com/wireless">www.ti.com/wireless</a>             |

Mailing Address: Texas Instruments, Post Office Box 655303, Dallas, Texas 75265  
Copyright © 2008, Texas Instruments Incorporated