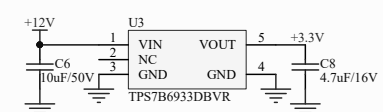
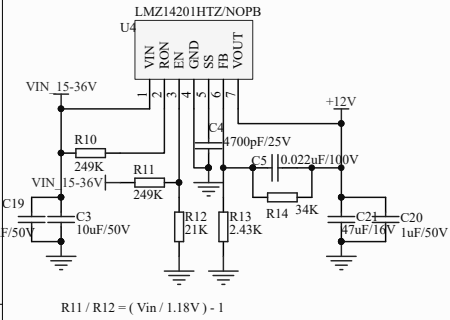
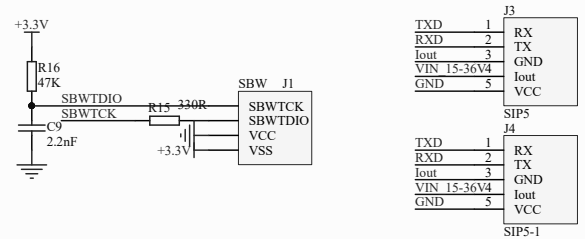
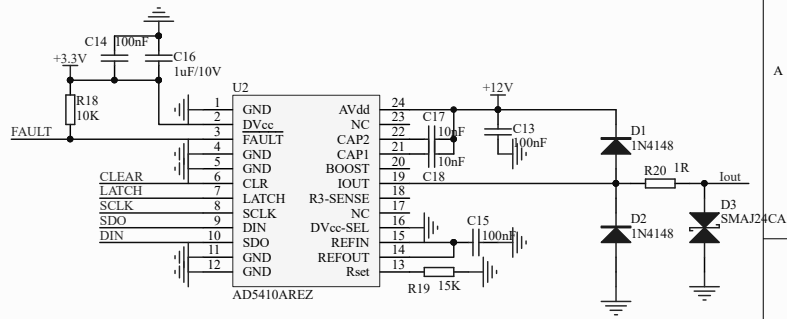


U1

1	PJ.4	AVSS	38	GND
2	PJ.5	P2.4	37	SCLK
3	GND	P2.3	36	
4	+3.3V	AVCC	35	
5	to MCU AD	P2.7	34	+3.3V
6	P1.0	DVCC	33	GND
7	P1.1	P1.0	32	
8	P1.2	P4.4	31	
9	P3.0	P1.7	30	
10	P3.1	P1.6	29	
11	P3.2	P3.2	28	FAULT
12	P3.3	P3.6	27	CLEAR
13	P1.3	P1.3	26	LATCH
14	P1.4	P3.4	25	
15	P1.5	P2.2	24	RXD
16	PJ.0	P2.1	23	TXD
17	PJ.1	P3.0	22	SBWTDIO
18	PJ.2	RST	21	SBWTDIO
19	PJ.3	TEST	20	DIN
	P2.5	P2.6		

MSP430FR5948IDAR



Title		
Size	Number	Revision
B		
Date:	2017/2/1	Sheet of
File:	F:\Sch&Pcb\flow_msp430.Sch	Drawn By: