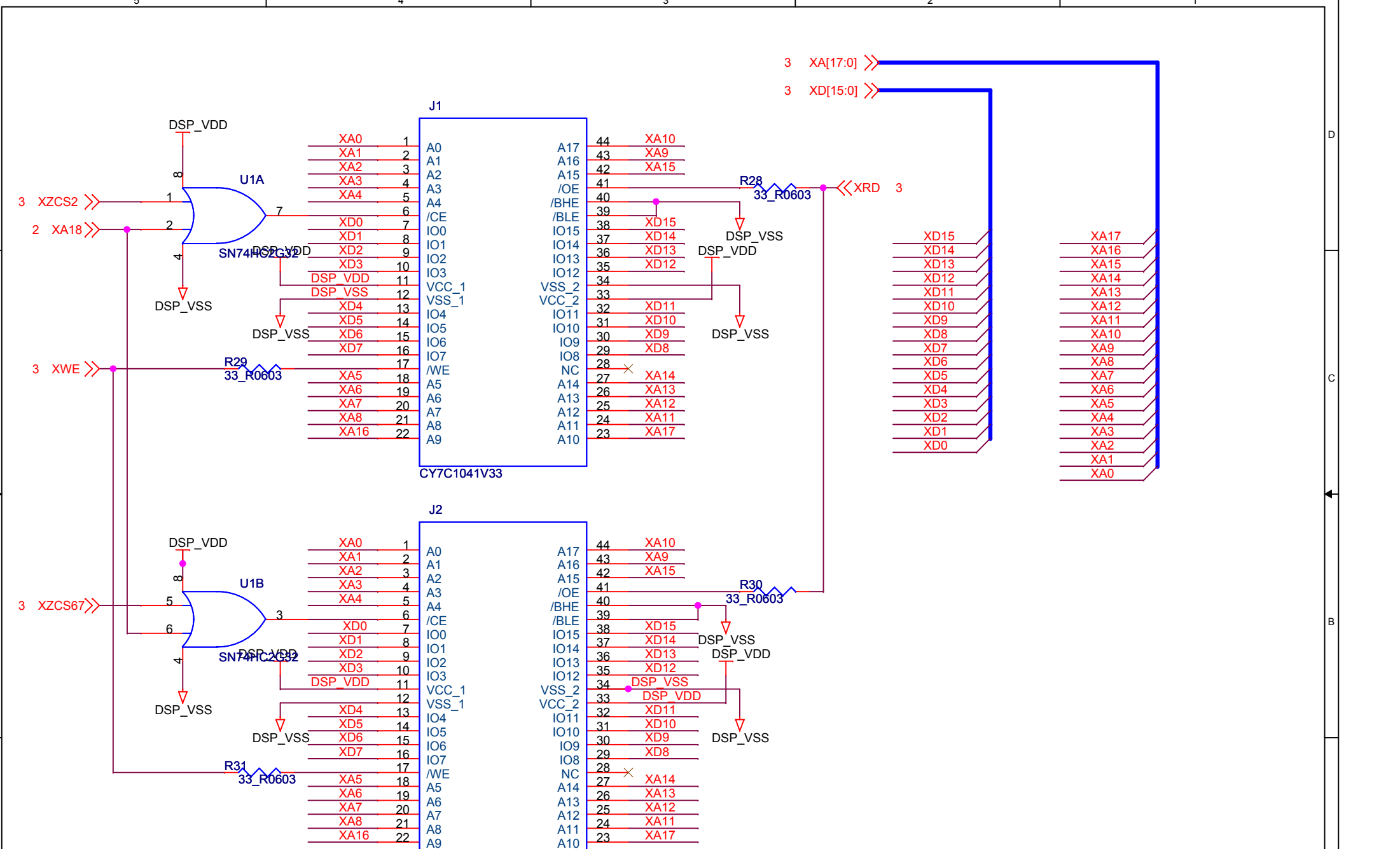
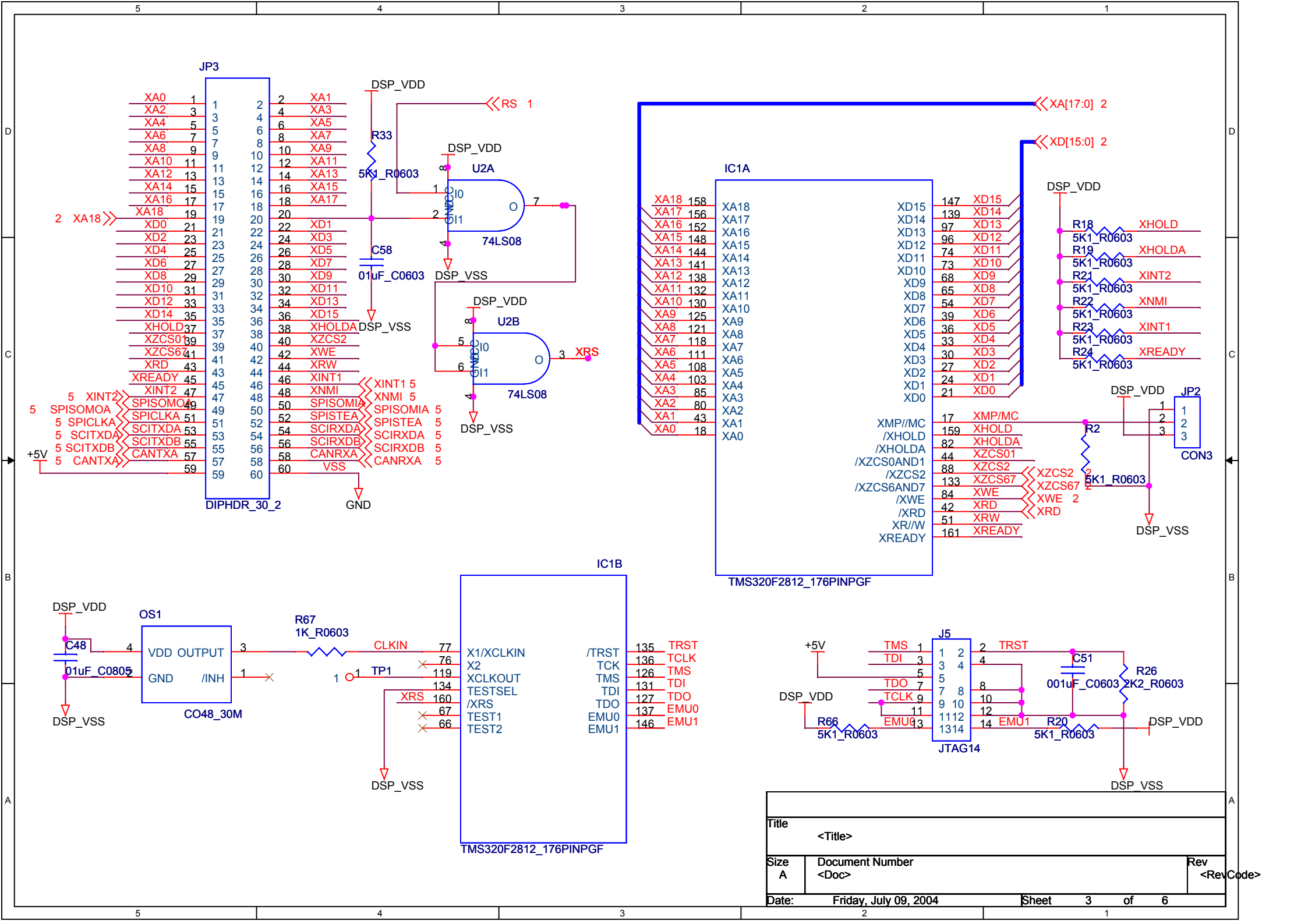


Title		
<Title>		
Size	Document Number	Rev
A	<Doc>	<RevCode>
Date:	Tuesday, May 18, 2004	Sheet 1 of 6

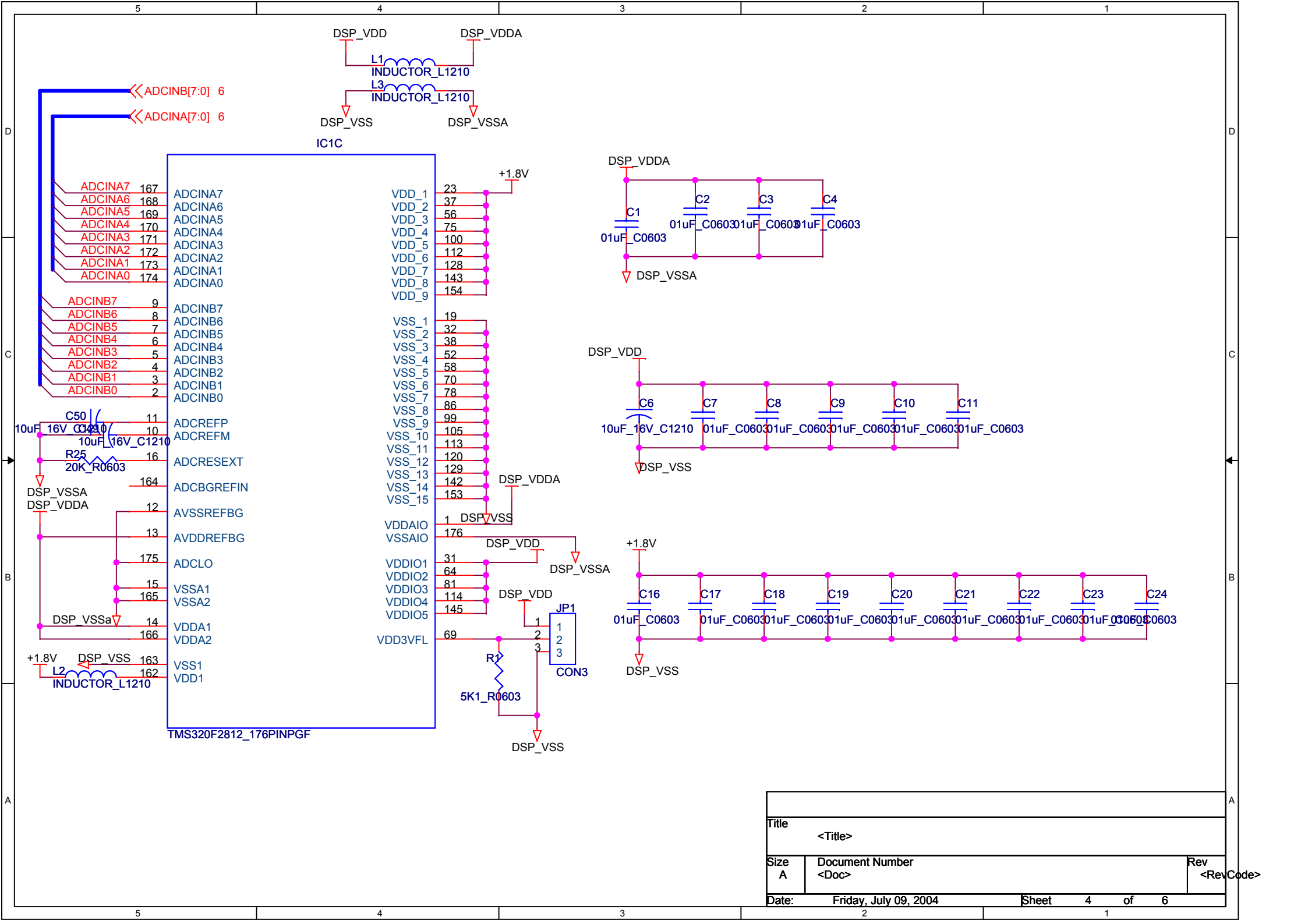


3 XA[17:0] >>
 3 XD[15:0] >>

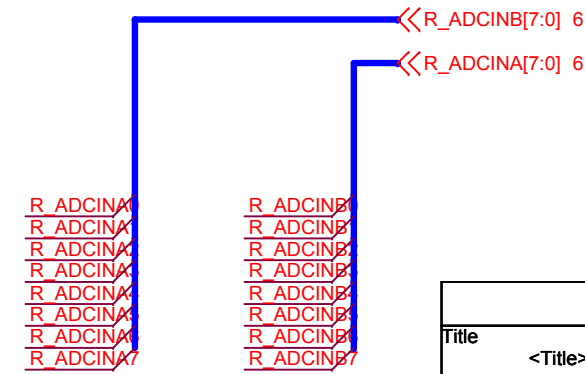
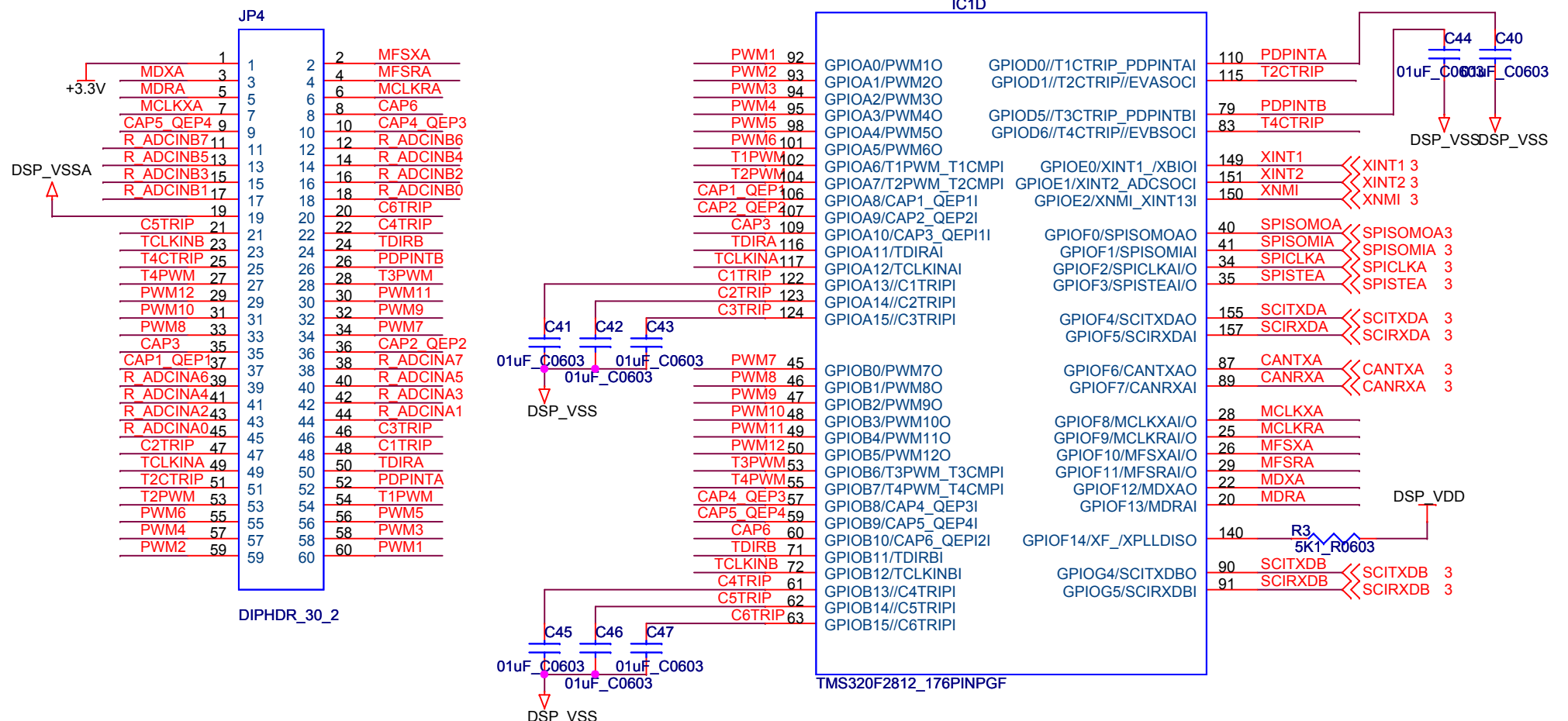
Title		
<Title>		
Size	Document Number	Rev
A	<Doc>	<RevCode>
Date:	Friday, July 09, 2004	Sheet 2 of 6



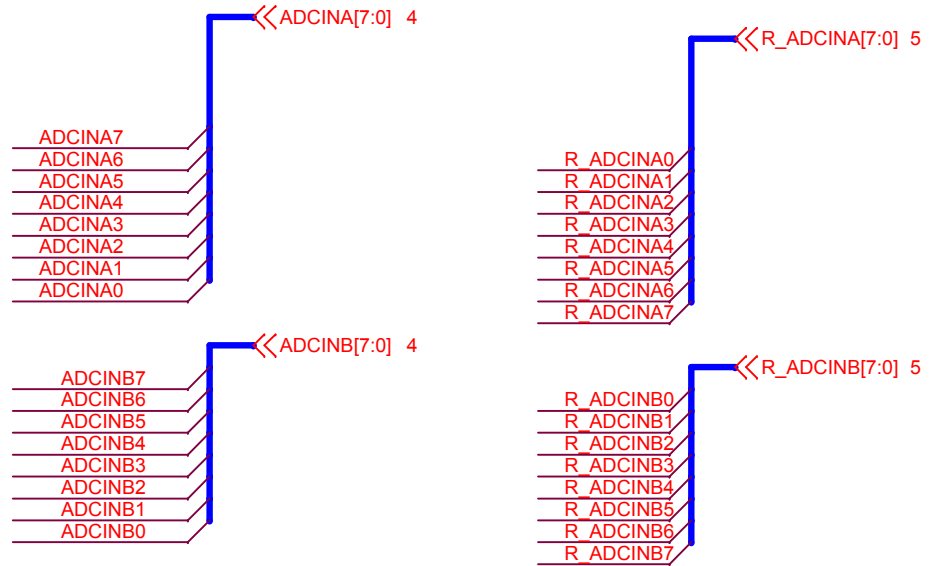
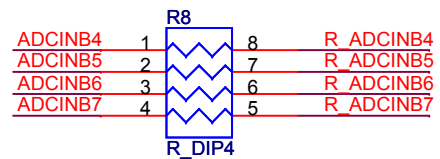
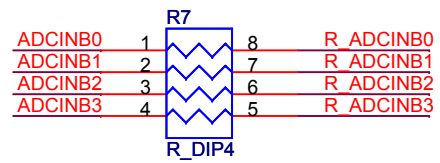
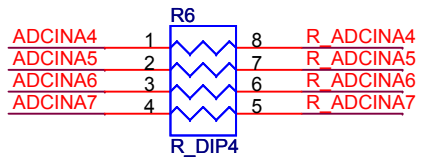
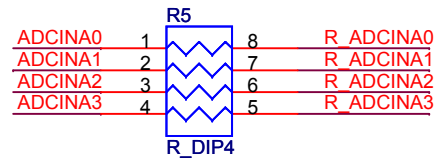
Title		
<Title>		
Size	Document Number	Rev
A	<Doc>	<RevCode>
Date:	Friday, July 09, 2004	Sheet 3 of 6



Title		
<Title>		
Size	Document Number	Rev
A	<Doc>	<RevCode>
Date:	Friday, July 09, 2004	Sheet 4 of 6



Title			<Title>
Size	Document Number	Rev	
A	<Doc>	<RevCode>	
Date:	Wednesday, May 19, 2004	Sheet	5 of 6



Title		
<Title>		
Size	Document Number	Rev
A	<Doc>	<RevCode>
Date:	Wednesday, May 19, 2004	Sheet 6 of 6