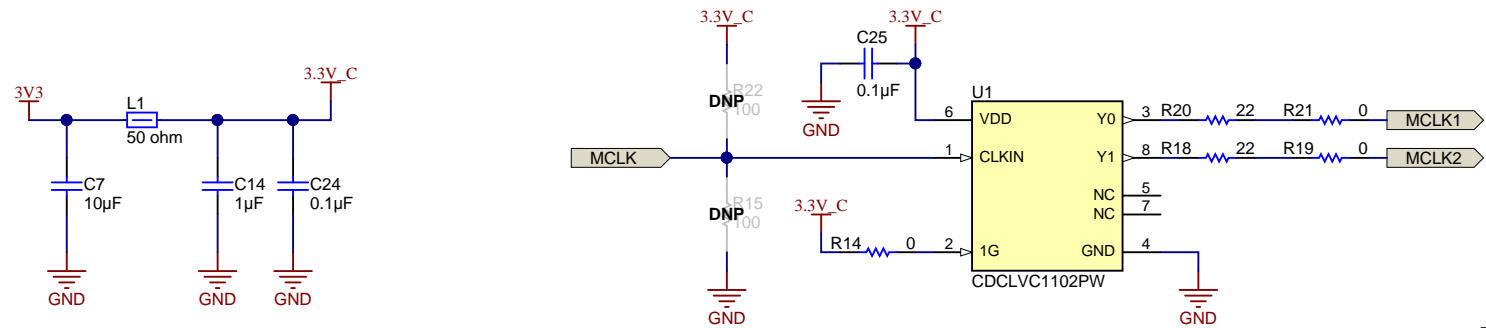
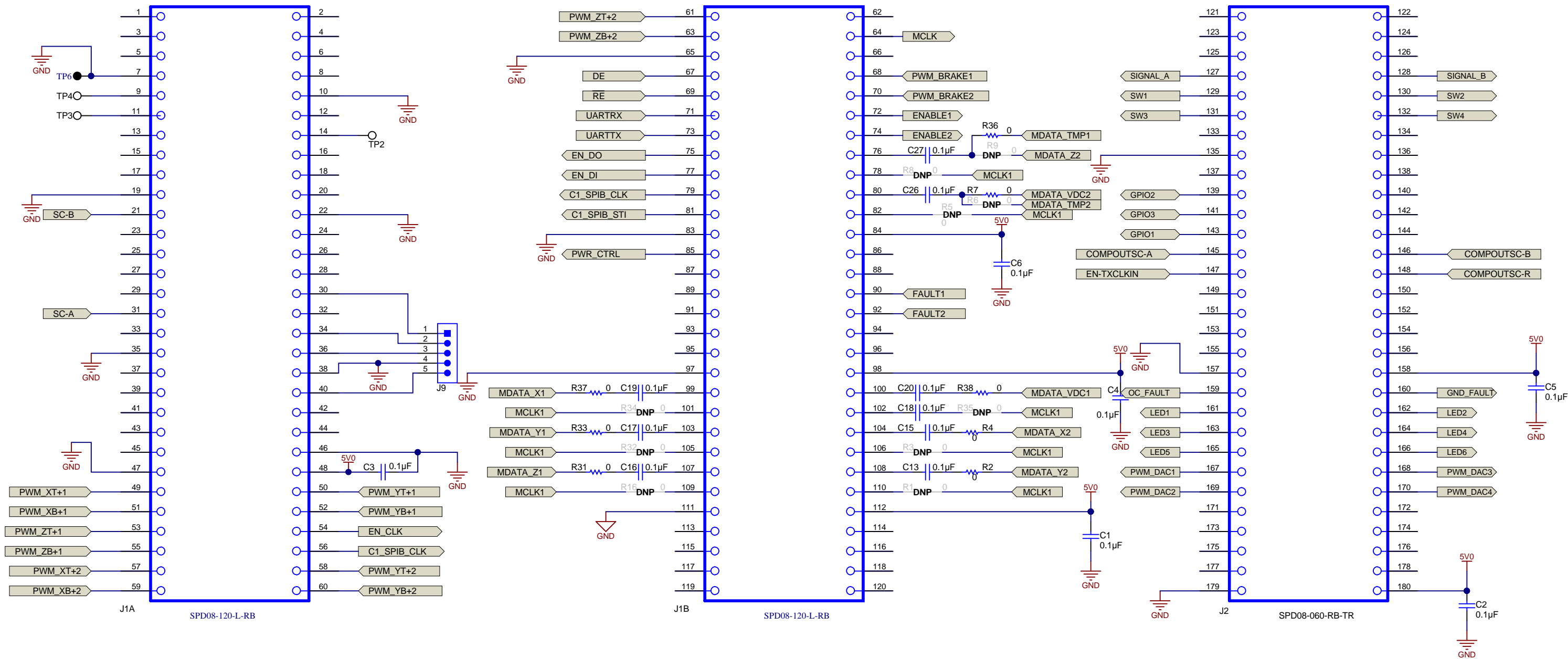


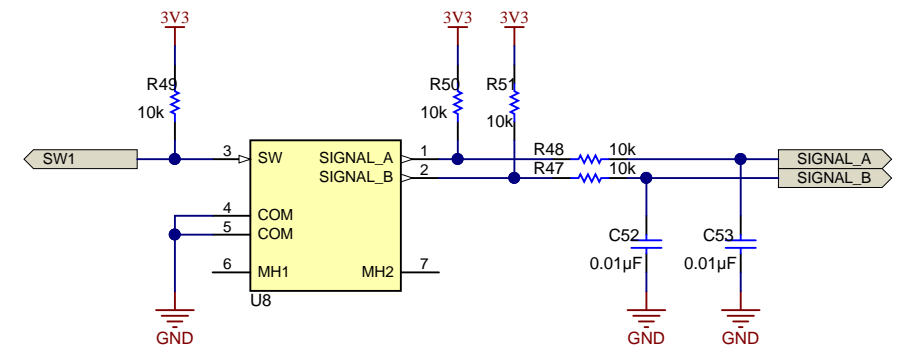
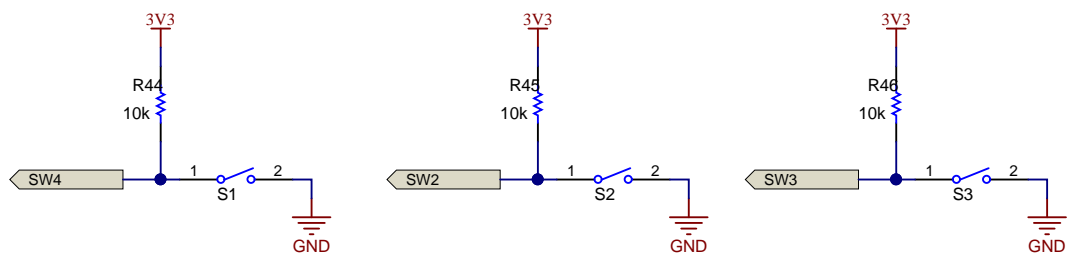
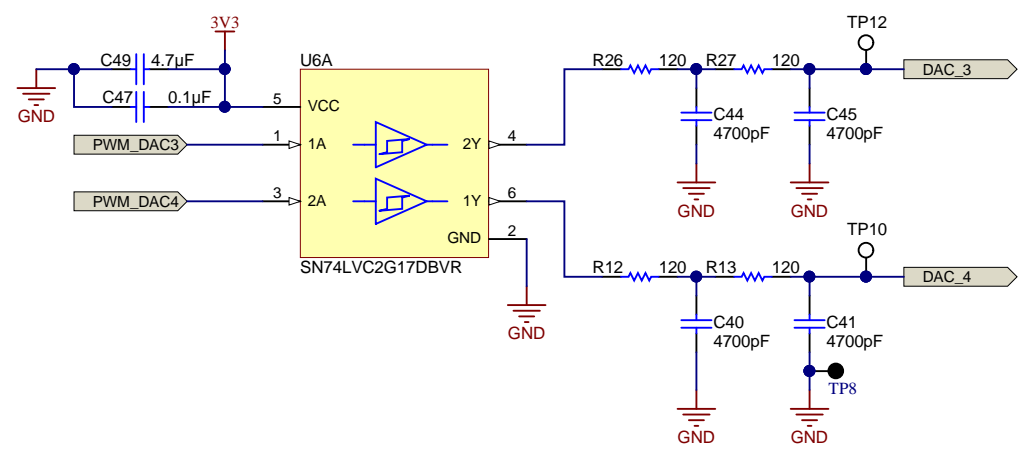
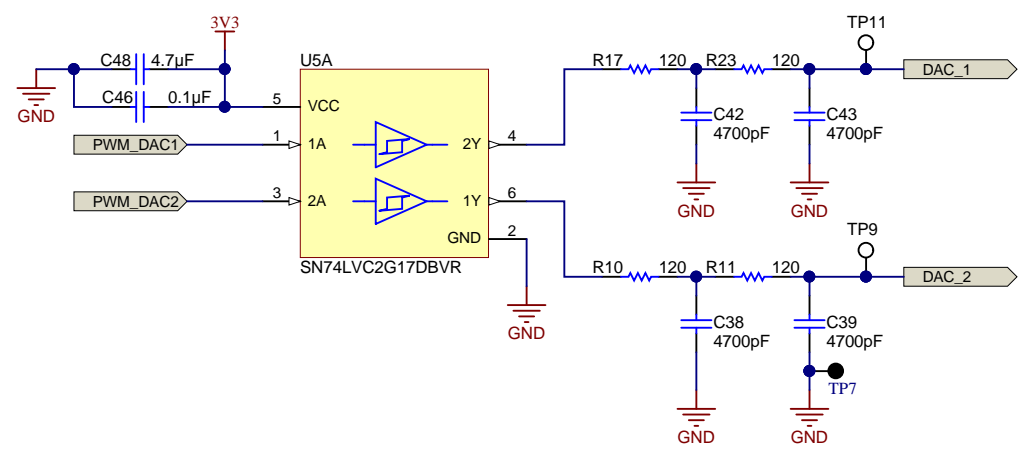
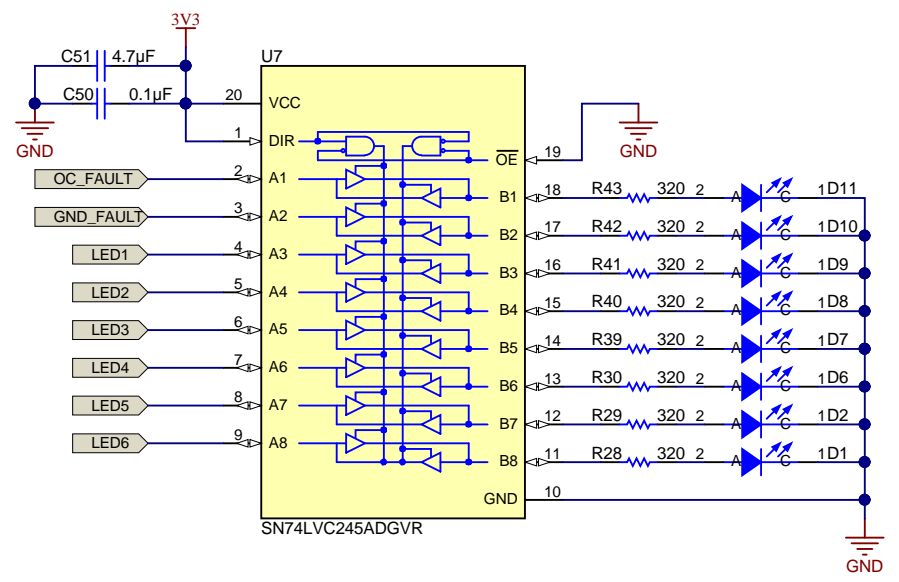
# Connection to Delfino Control Card



Texas Instruments and/or its licensors do not warrant the accuracy or completeness of this specification or any information contained therein. Texas Instruments and/or its licensors do not warrant that this design will meet the specifications, will be suitable for your application or fit for any particular purpose, or will operate in an implementation. Texas Instruments and/or its licensors do not warrant that the design is production worthy. You should completely validate and test your design implementation to confirm the system functionality for your application.

Orderable: N/A	Designed for: Public Release	Mod. Date: 04-May-17
TID #: 00915	Project Title: TIDA-00915-Controller	
Number: TIDA-00915-C   Rev: E1	Sheet Title: Connection to Delfino Control Card	
SVN Rev: Version control disabled	Assembly Variant: 001	Sheet: 2 of 4
Drawn By: Avinash	File: TIDA-00915-Controller-E1_MainSheet.SchDoc	Size: B
Engineer: Nelson	Contact: <a href="http://www.ti.com/support">http://www.ti.com/support</a>	





Texas Instruments and/or its licensors do not warrant the accuracy or completeness of this specification or any information contained therein. Texas Instruments and/or its licensors do not warrant that this design will meet the specifications, will be suitable for your application or fit for any particular purpose, or will operate in an implementation. Texas Instruments and/or its licensors do not warrant that the design is production worthy. You should completely validate and test your design implementation to confirm the system functionality for your application.

Orderable: N/A	Designed for: Public Release	Mod. Date: 04-May-17
TID #: 00915	Project Title: TIDA-00915-Controller	
Number: TIDA-00915-C   Rev: E1	Sheet Title: DB25 Interface	
SVN Rev: Version control disabled	Assembly Variant: 001	Sheet: 3 of 4
Drawn By: Avinash	File: TIDA-00915-Controller-E1_MainSheet2.SchDoc	Size: B
Engineer: Nelson	Contact: <a href="http://www.ti.com/support">http://www.ti.com/support</a>	



A

B

C

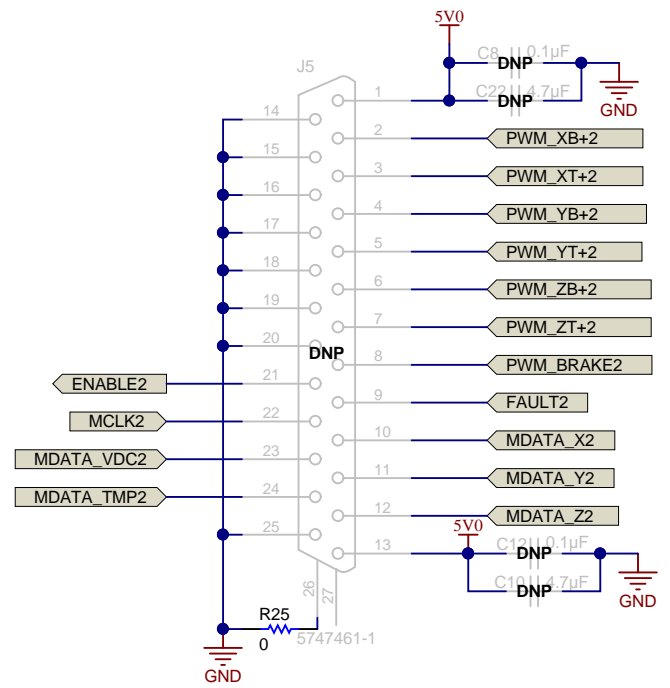
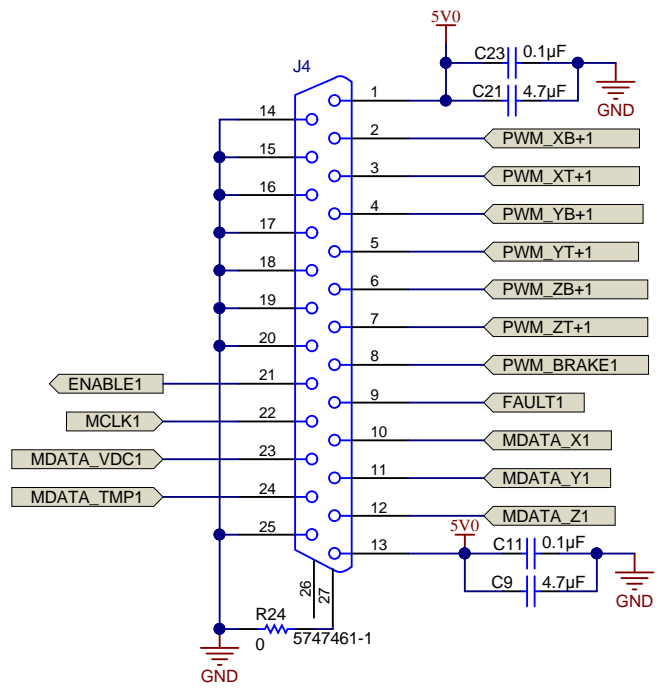
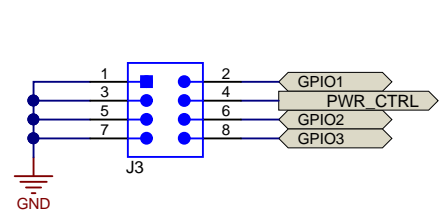
D

A

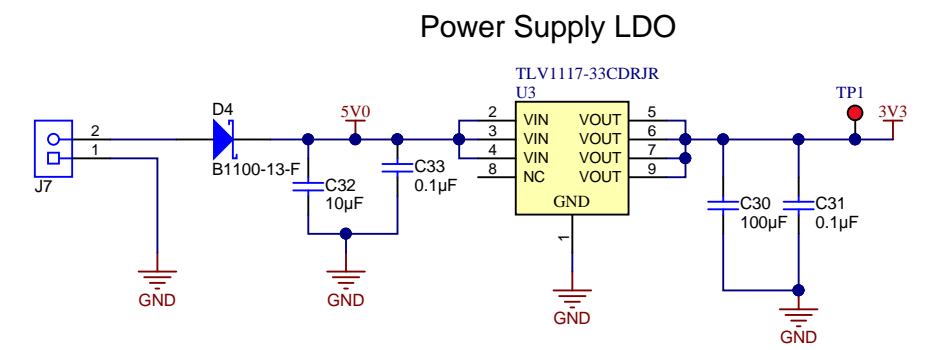
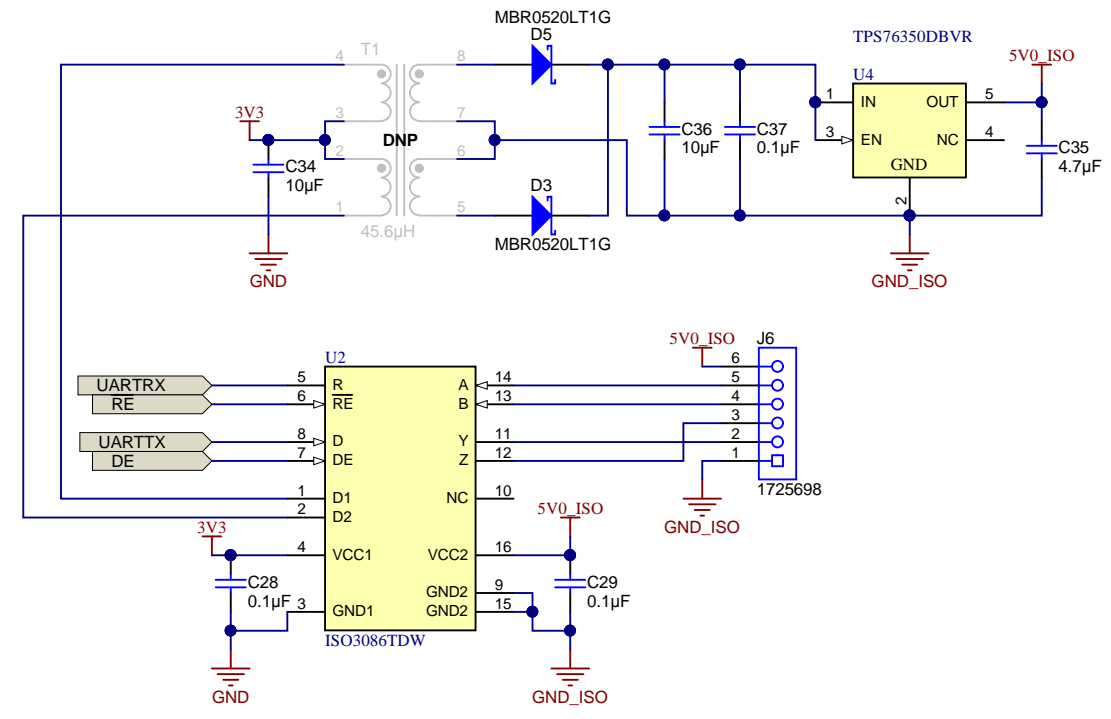
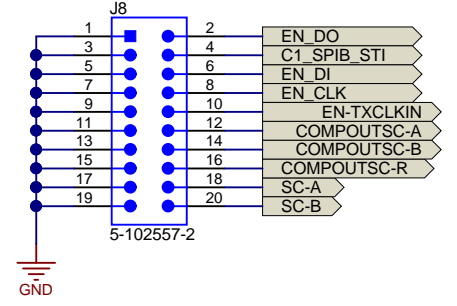
B

C

D



MCU Interface



Power Supply LDO

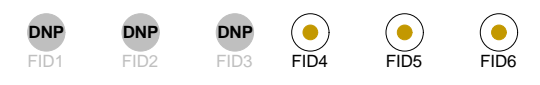
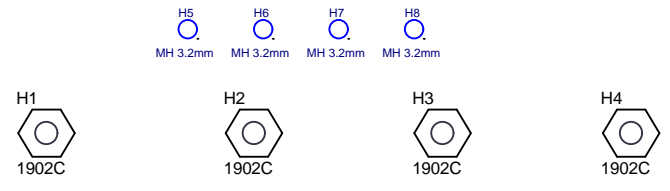
Texas Instruments and/or its licensors do not warrant the accuracy or completeness of this specification or any information contained therein. Texas Instruments and/or its licensors do not warrant that this design will meet the specifications, will be suitable for your application or fit for any particular purpose, or will operate in an implementation. Texas Instruments and/or its licensors do not warrant that the design is production worthy. You should completely validate and test your design implementation to confirm the system functionality for your application.

Orderable: N/A	Designed for: Public Release	Mod. Date: 04-May-17
TID #: 00915	Project Title: TIDA-00915-Controller	
Number: TIDA-00915-C   Rev: E1	Sheet Title: DB25 Interface	
SVN Rev: Version control disabled	Assembly Variant: 001	Sheet: 3 of 4
Drawn By: Avinash	File: TIDA-00915-Controller-E1_MainSheet1.SchDoc	Size: B
Engineer: Nelson	Contact: <a href="http://www.ti.com/support">http://www.ti.com/support</a>	© Texas Instruments 2016



A

A



PCB Number: TIDA-00915-C  
PCB Rev: E1

PCB  
LOGO  
Pb-Free Symbol

PCB  
LOGO  
Pb\_Free

B

B

Variant/Label Table	
Variant	Label Text
001	ChangeMe!
002	ChangeMe!

LBL1  
PCB Label  
Size: 0.65" x 0.20 "

ZZ4  
Label Assembly Note  
This Assembly Note is for PCB labels only

ZZ3  
Assembly Note  
These assemblies are ESD sensitive, ESD precautions shall be observed.

ZZ2  
Assembly Note  
These assemblies must be clean and free from flux and all contaminants. Use of no clean flux is not acceptable.

ZZ1  
Assembly Note  
These assemblies must comply with workmanship standards IPC-A-610 Class 2, unless otherwise specified.

C

C

D

D

Orderable: N/A	Designed for: Public Release	Mod. Date: 04-May-17
TID #: 00915	Project Title: TIDA-00915-Controller	
Number: TIDA-00915-C   Rev: E1	Sheet Title: Hardware	
SVN Rev: Version control disabled	Assembly Variant: 001	Sheet: 4 of 4
Drawn By: Avinash	File: TIDA-00915-Controller-E1_EVM_Hardware.Sch	Size: B
Engineer: Nelson	Contact: <a href="http://www.ti.com/support">http://www.ti.com/support</a>	

Texas Instruments and/or its licensors do not warrant the accuracy or completeness of this specification or any information contained therein. Texas Instruments and/or its licensors do not warrant that this design will meet the specifications, will be suitable for your application or fit for any particular purpose, or will operate in an implementation. Texas Instruments and/or its licensors do not warrant that the design is production worthy. You should completely validate and test your design implementation to confirm the system functionality for your application.

