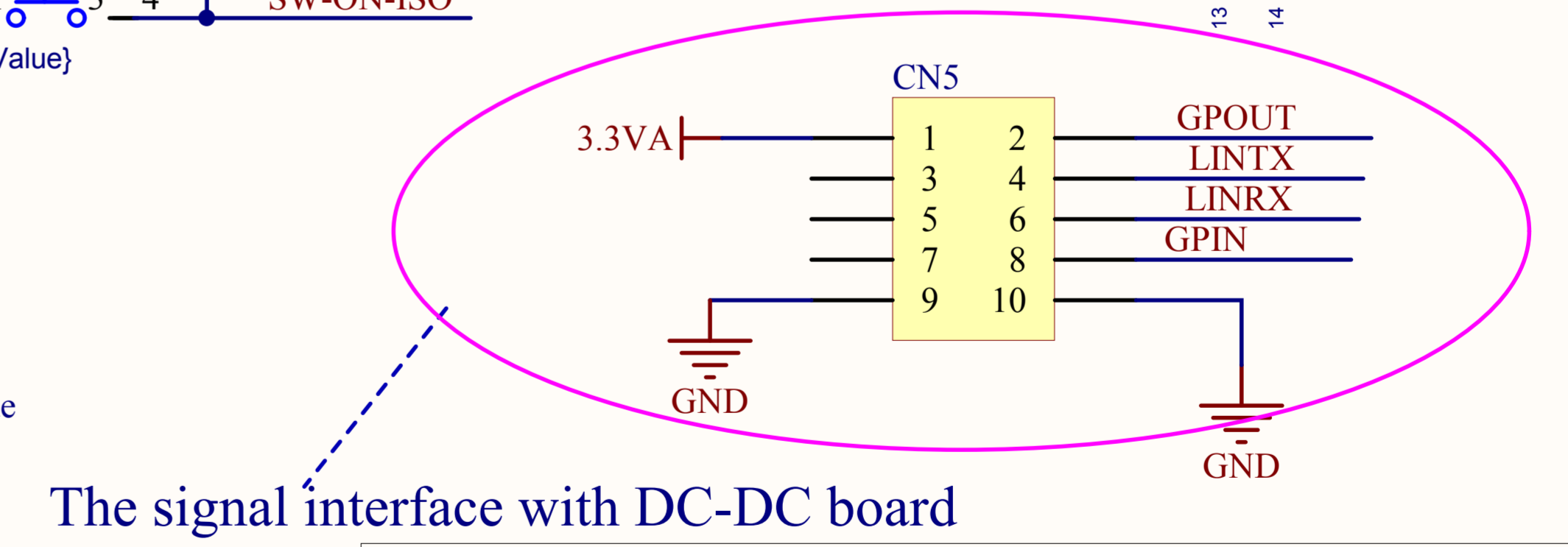
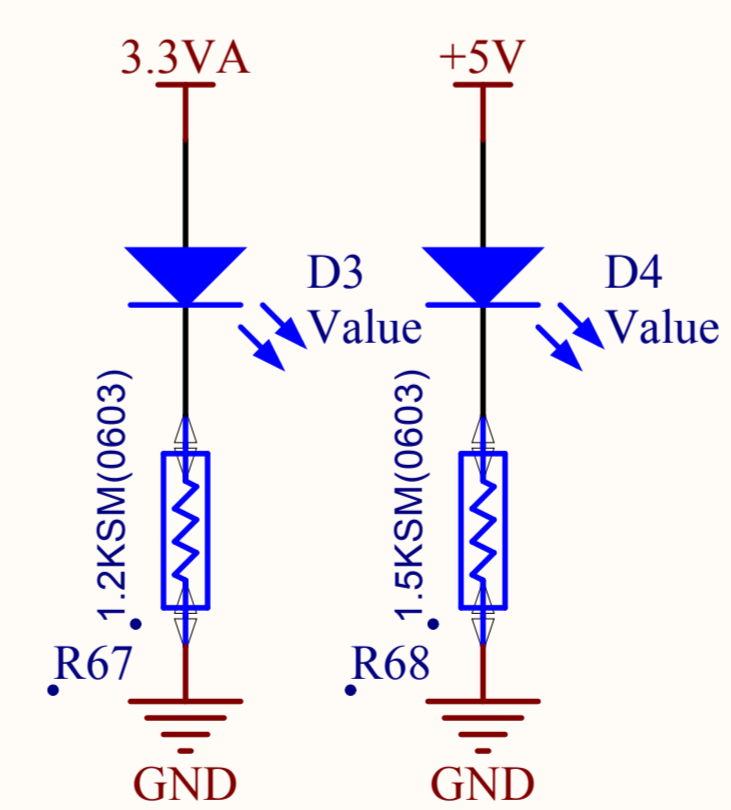
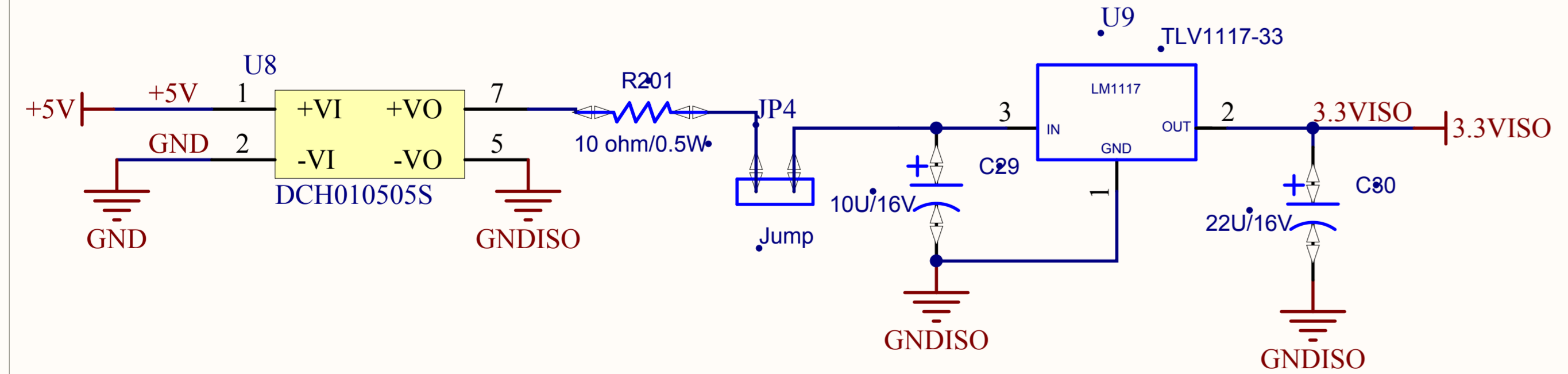
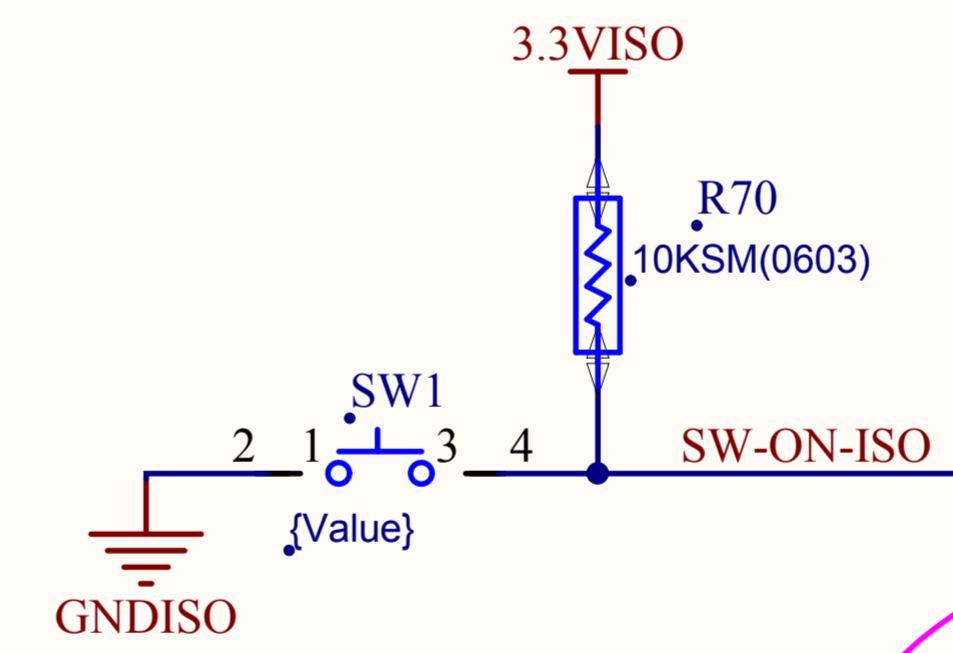
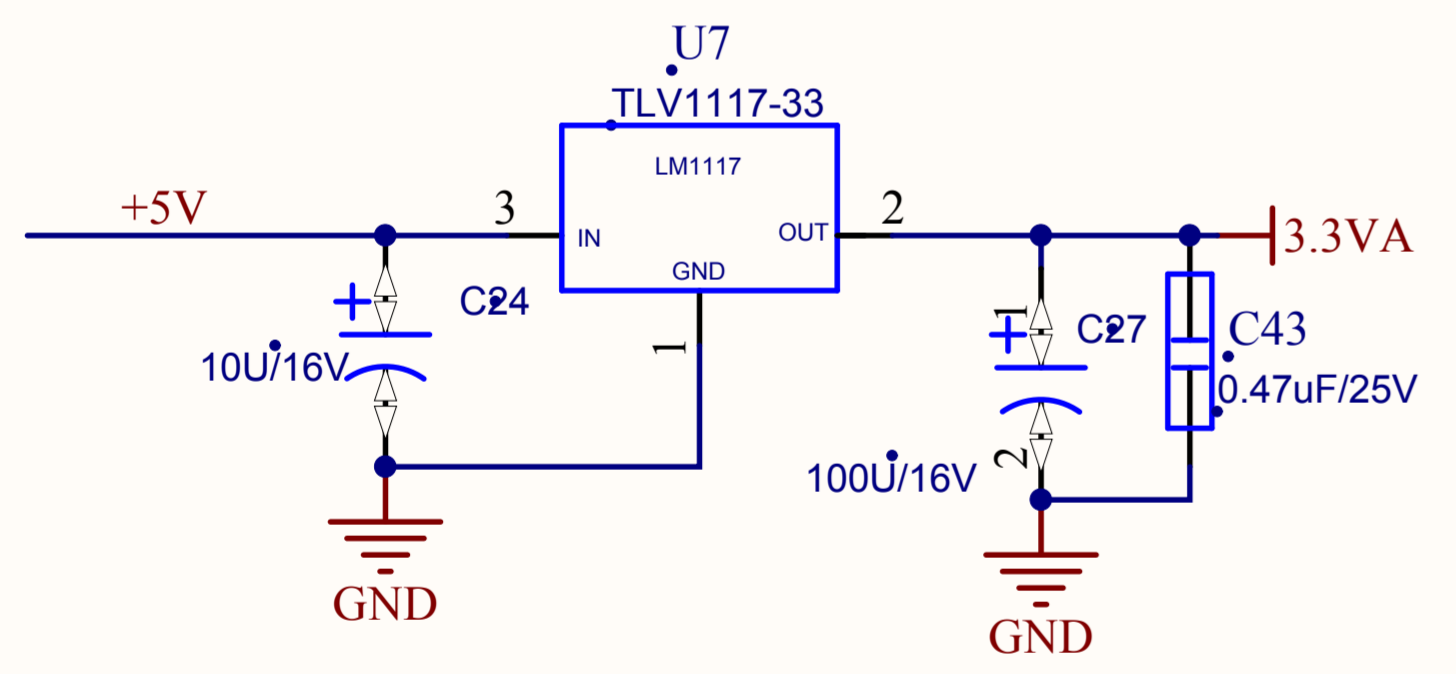
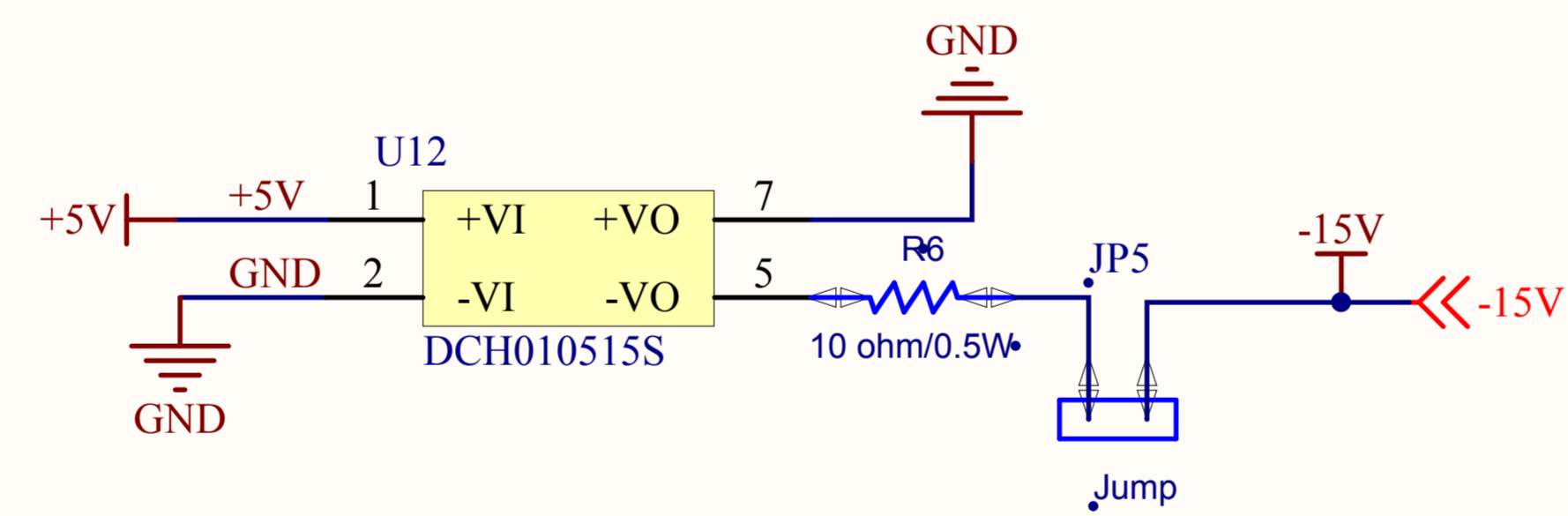
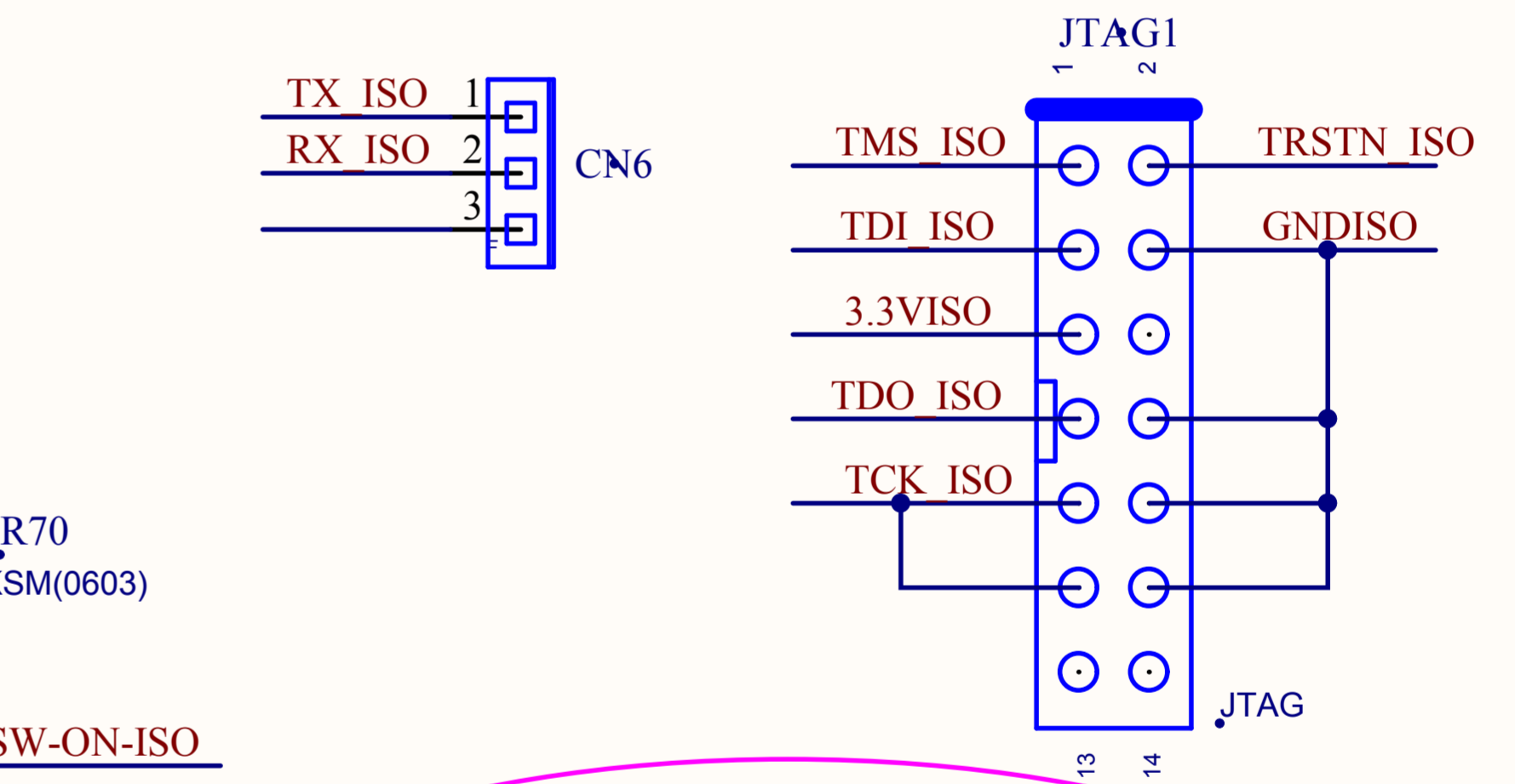
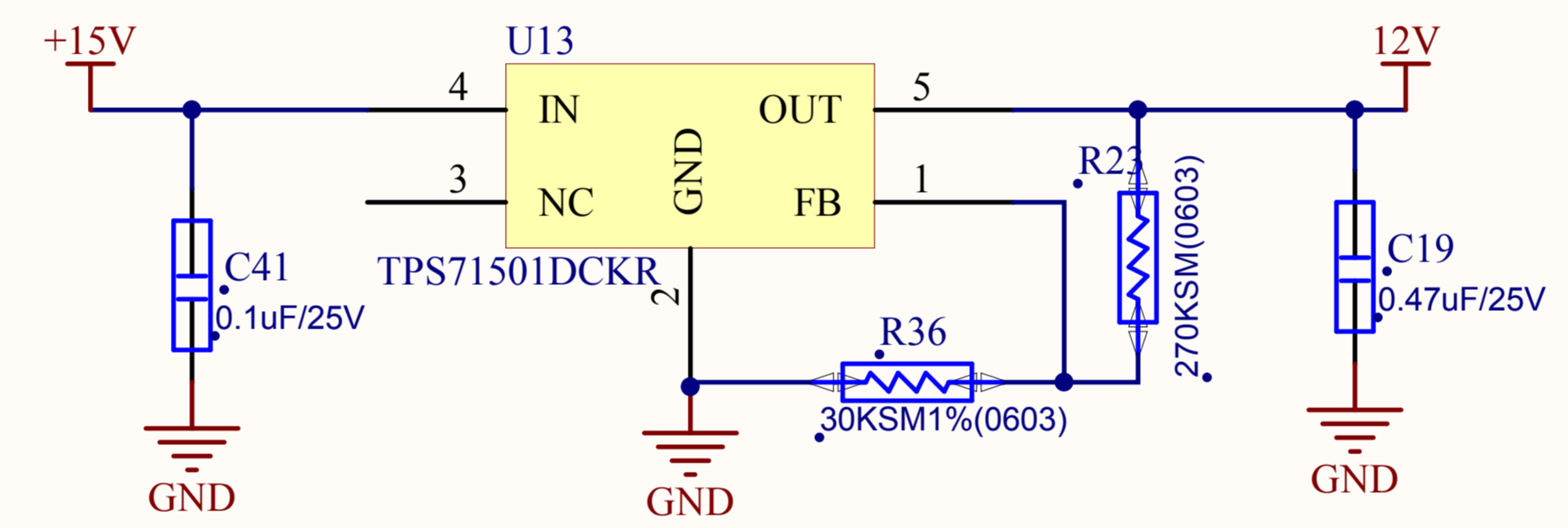
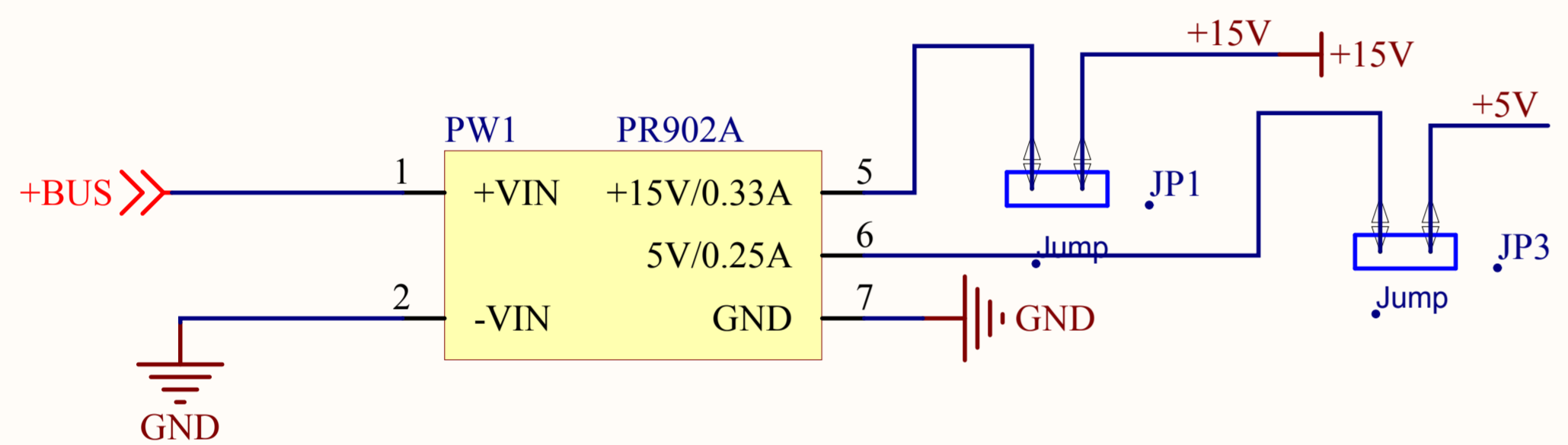
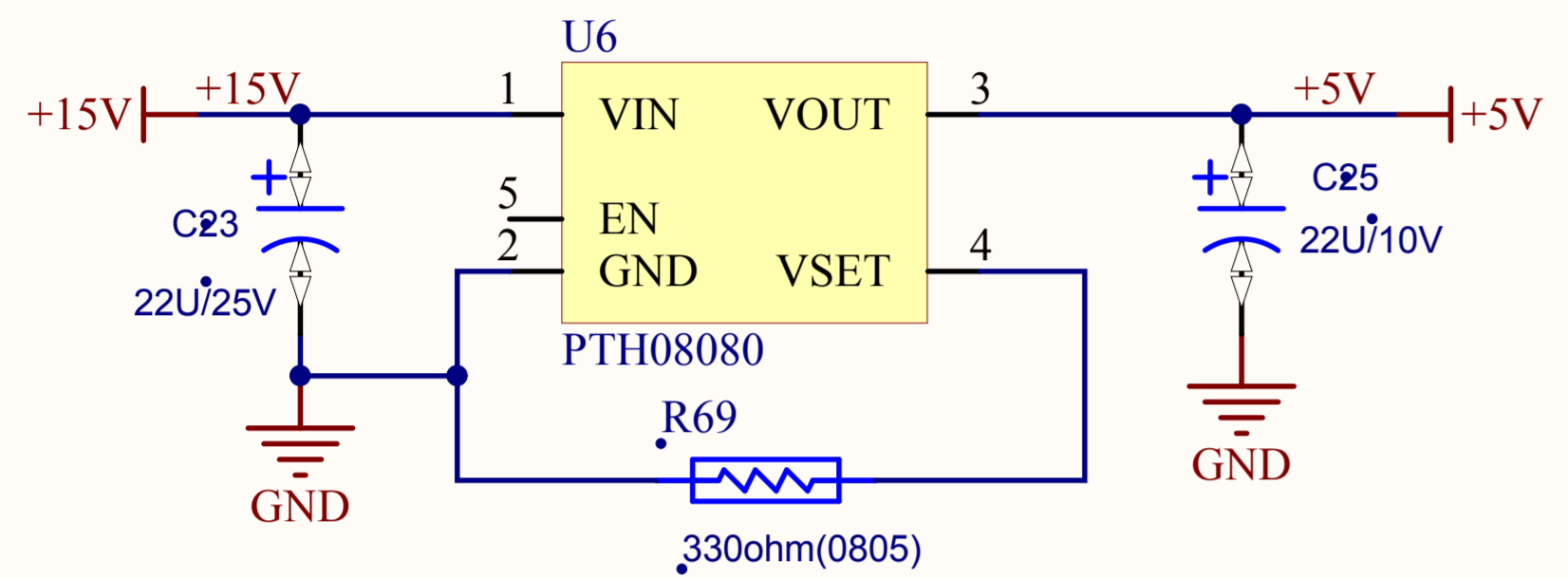
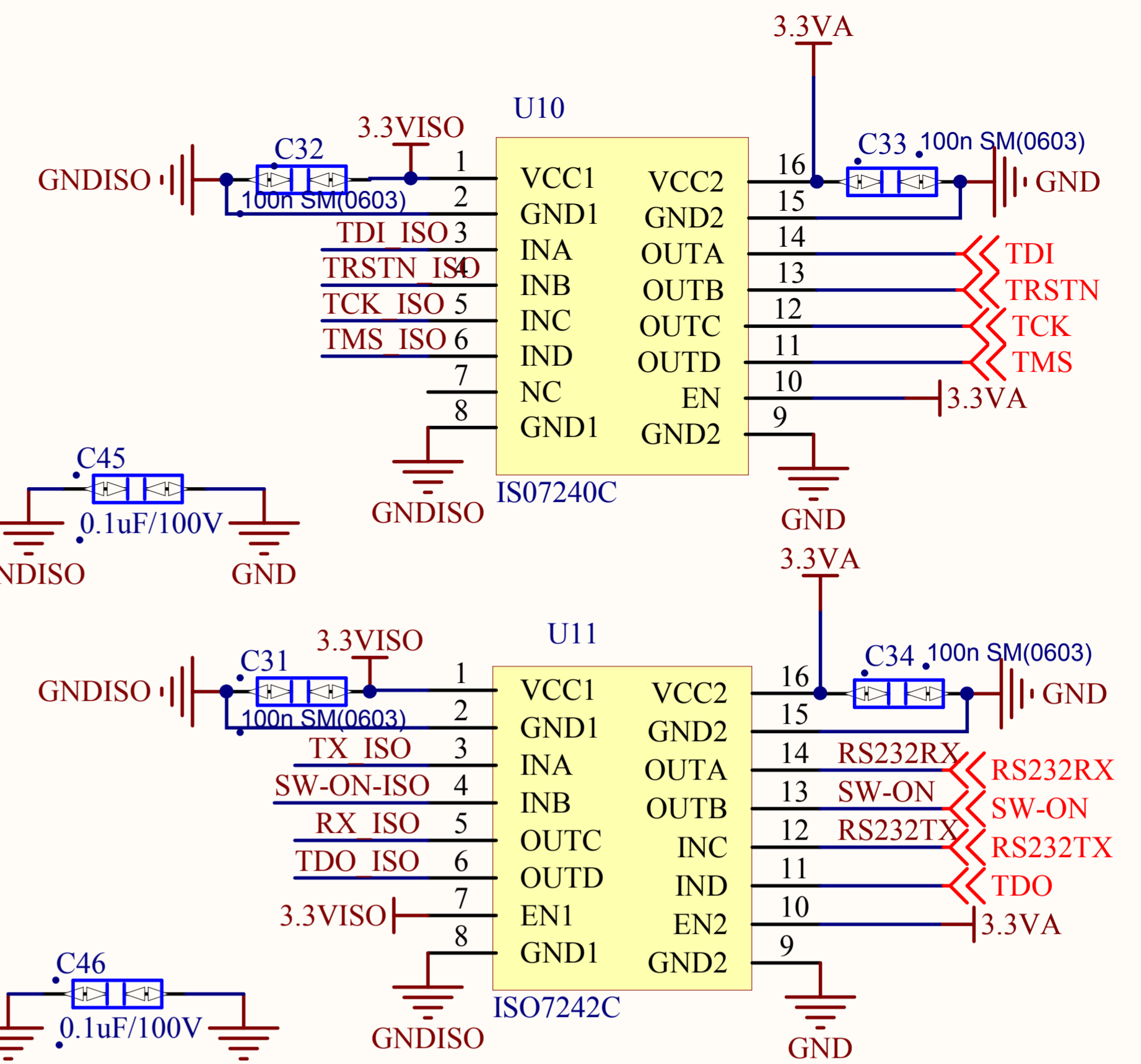
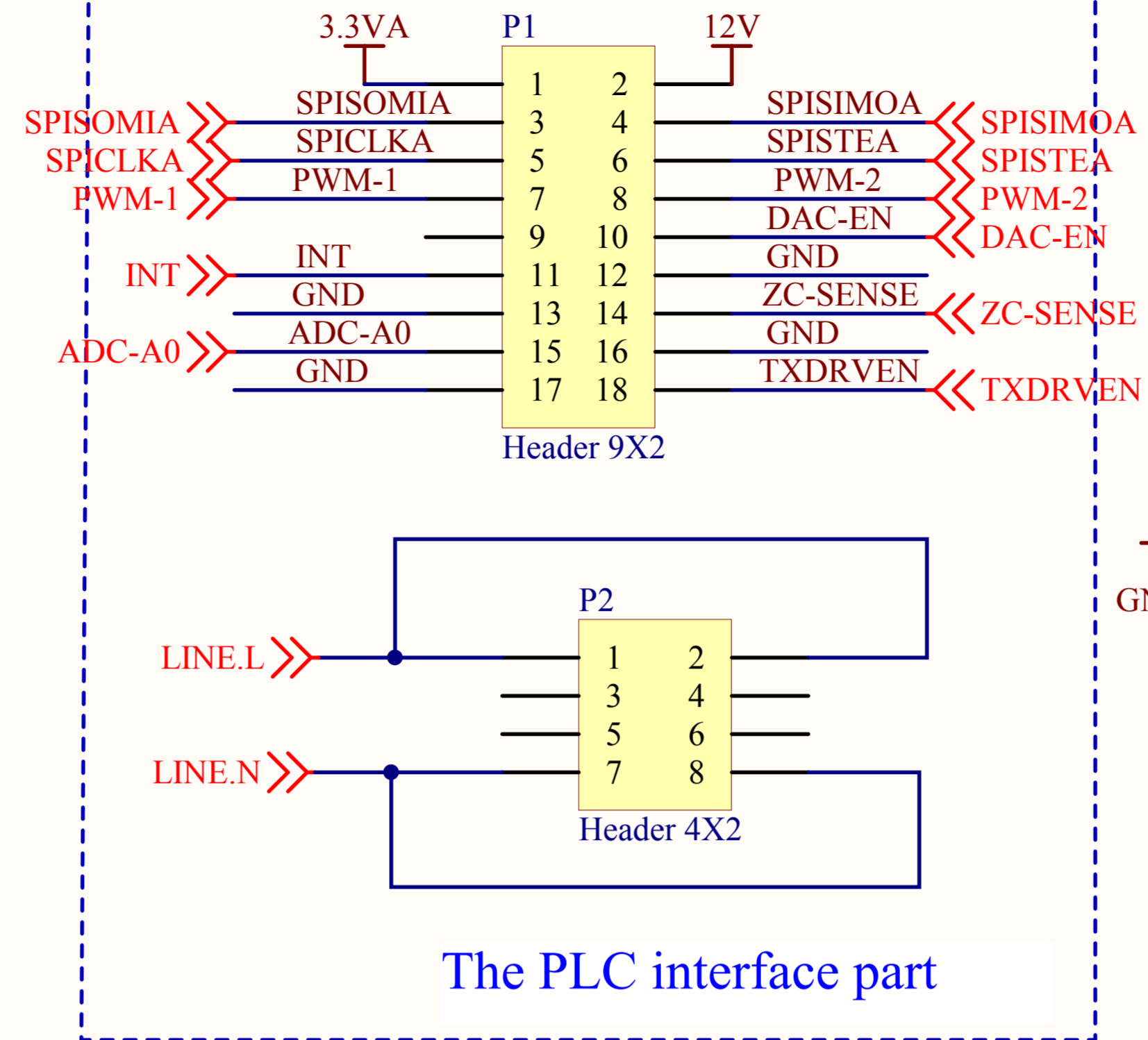
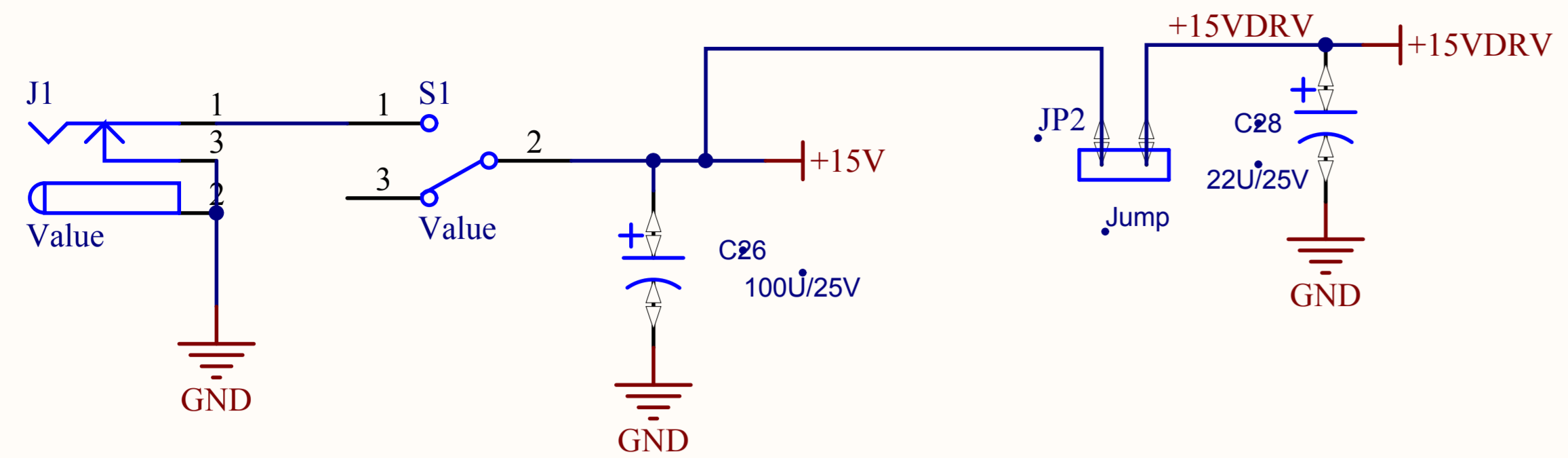
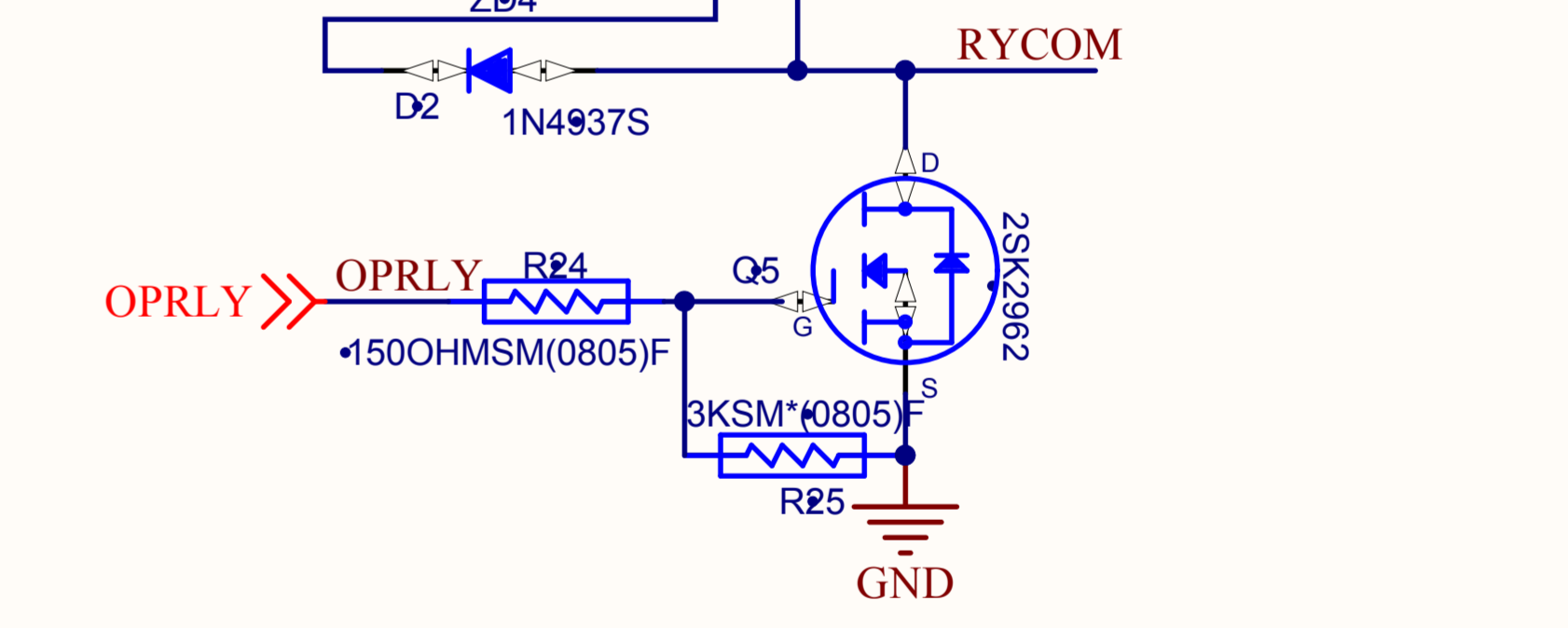
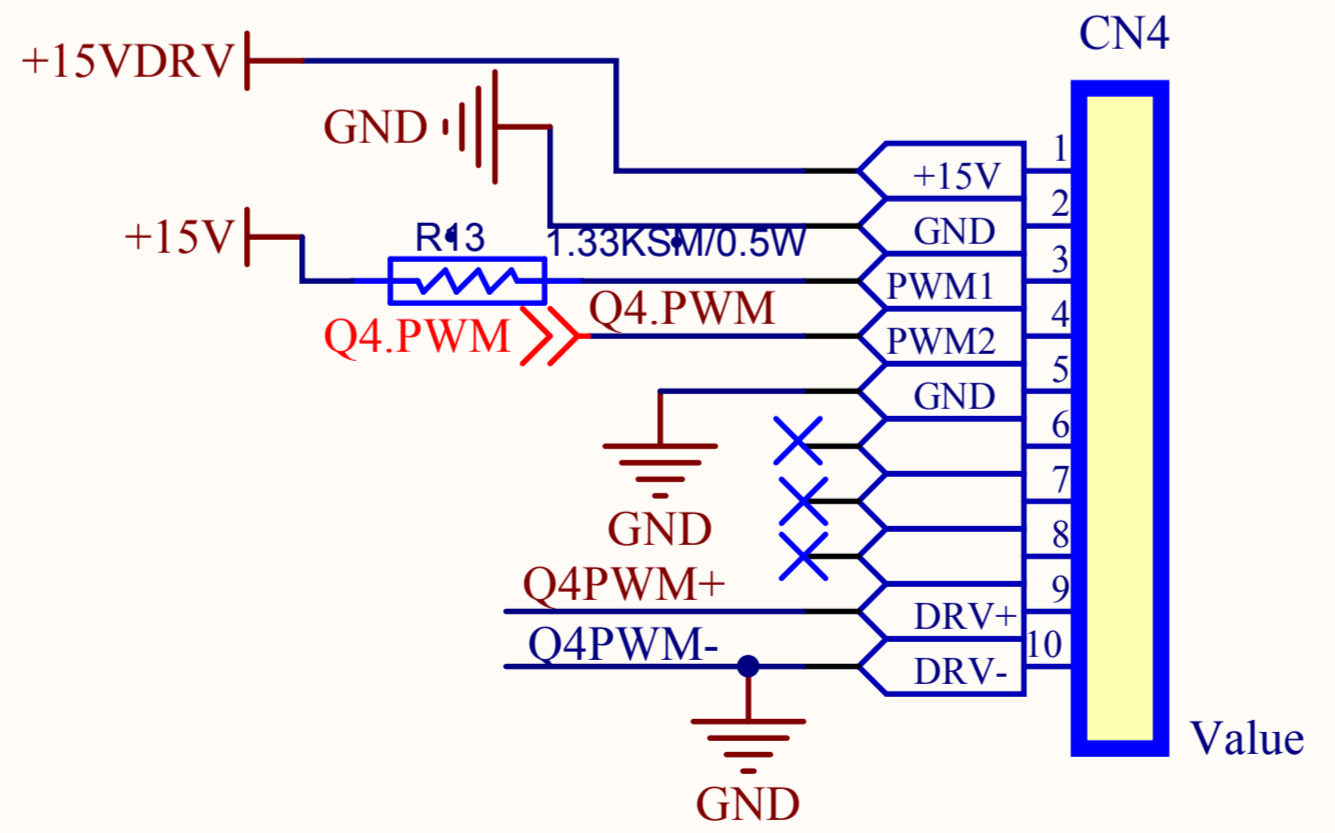
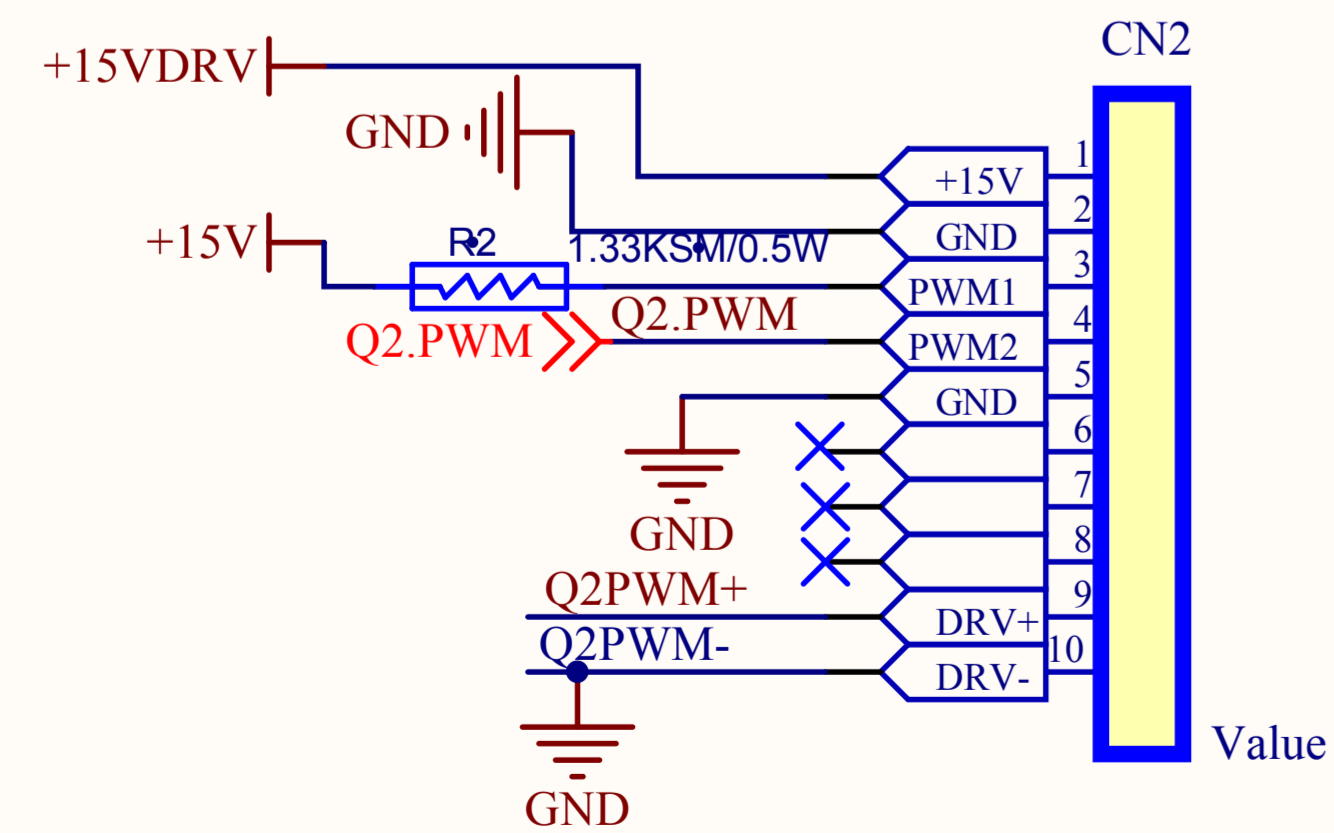
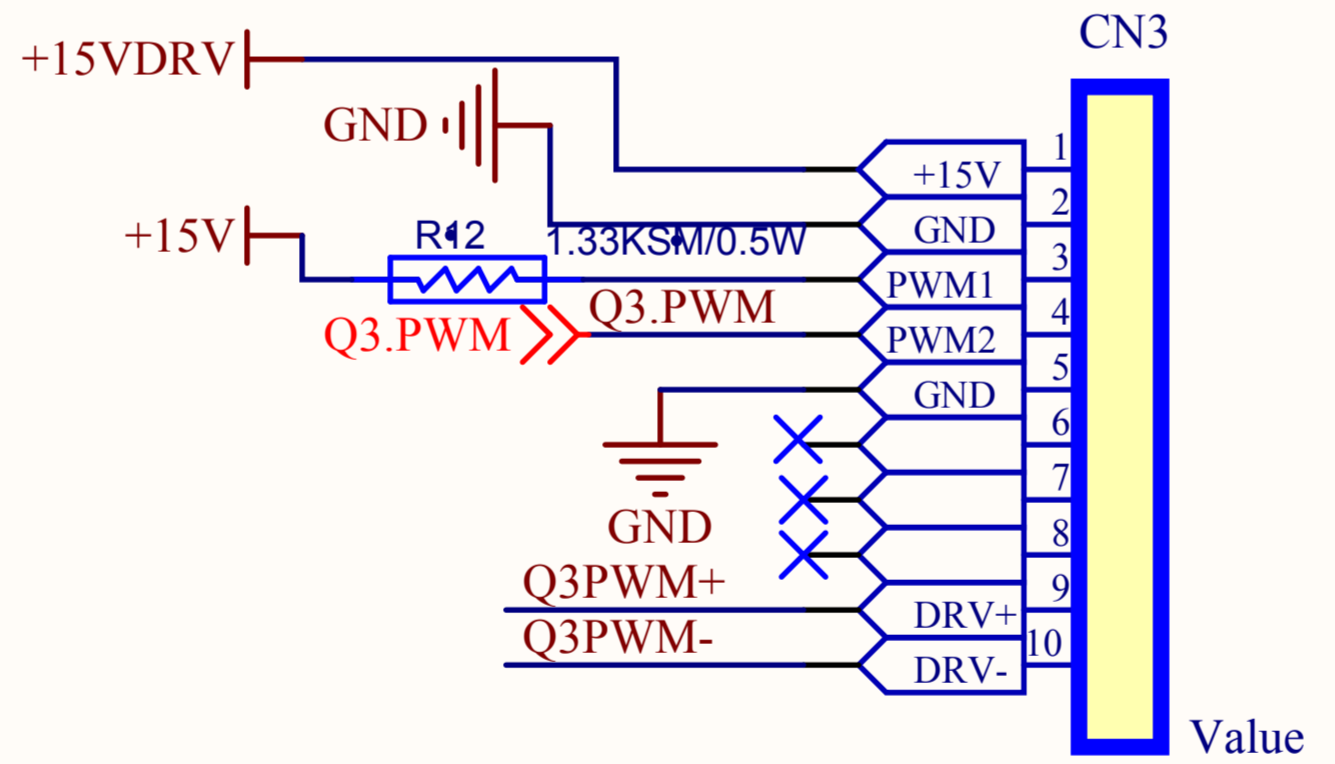
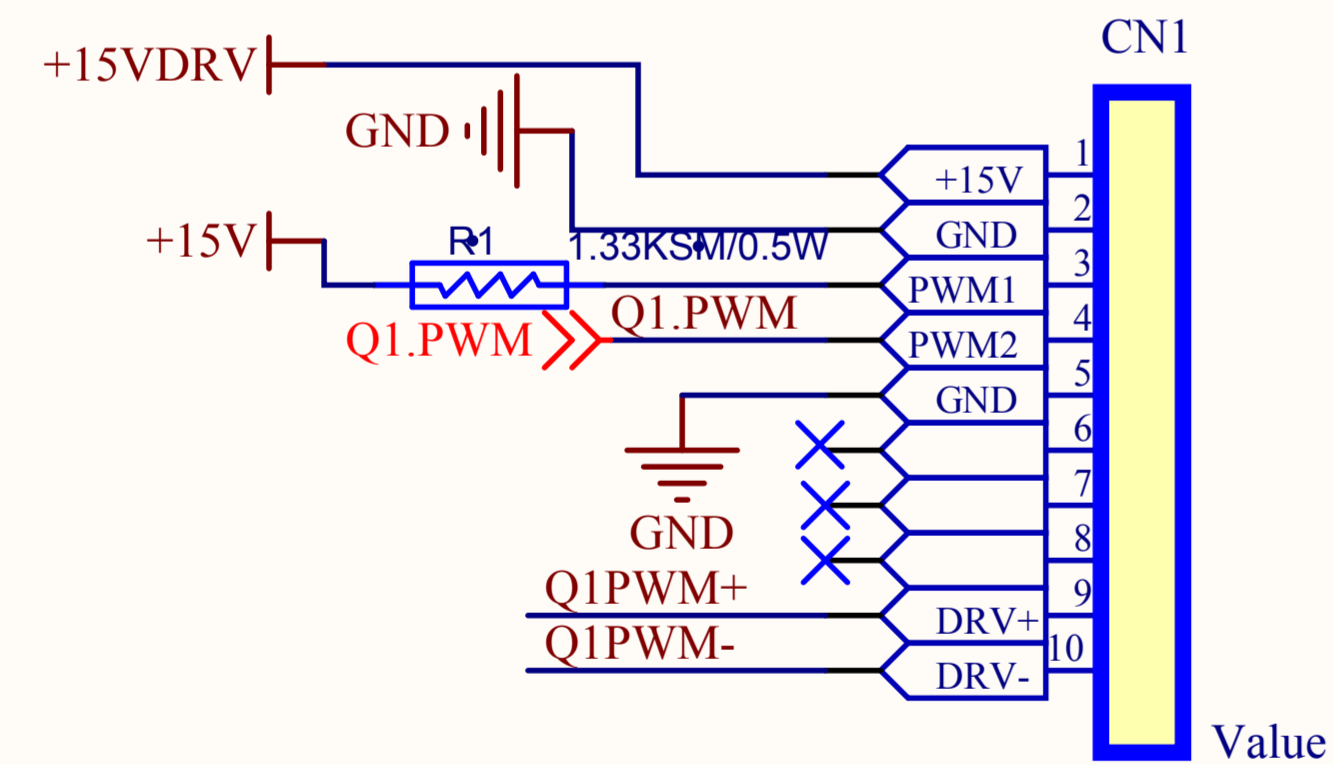
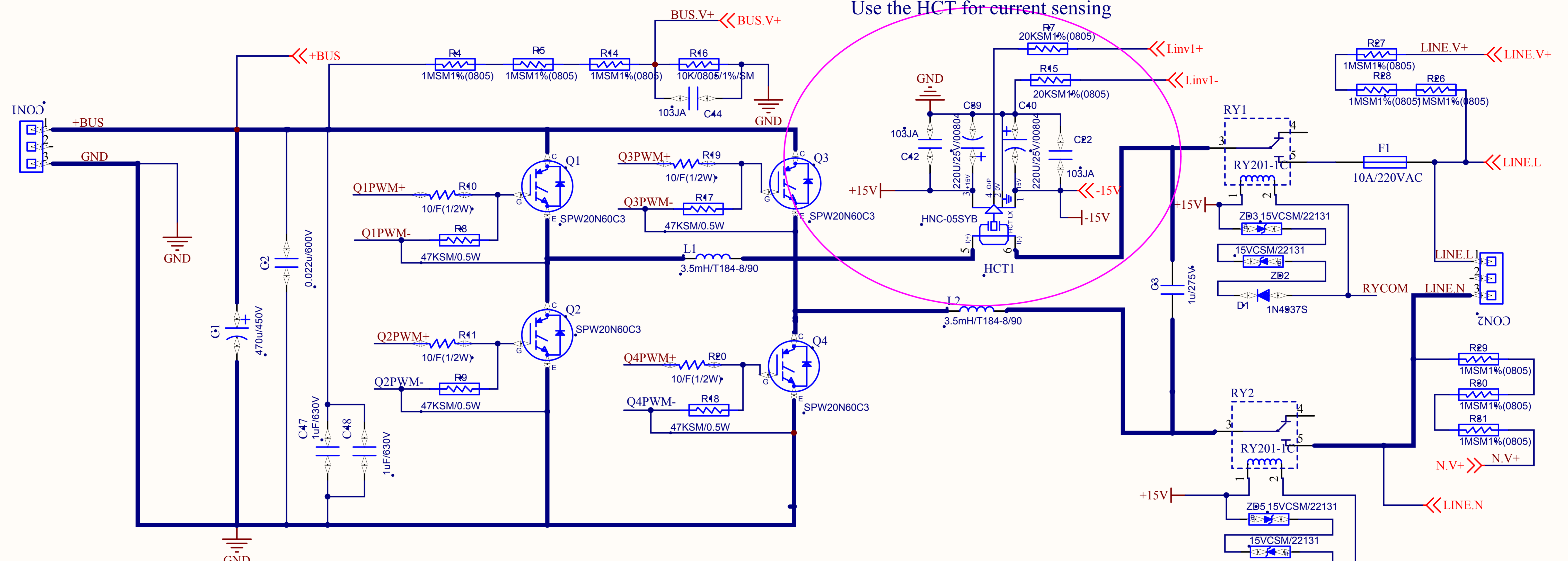


| Title | | |
|-------|---------------------------|-----------|
| Size | Number | Revision |
| A3 | | |
| Date: | 2011-8-12 | Sheet of |
| File: | C:\Layout\...\CNTL.SchDoc | Drawn By: |

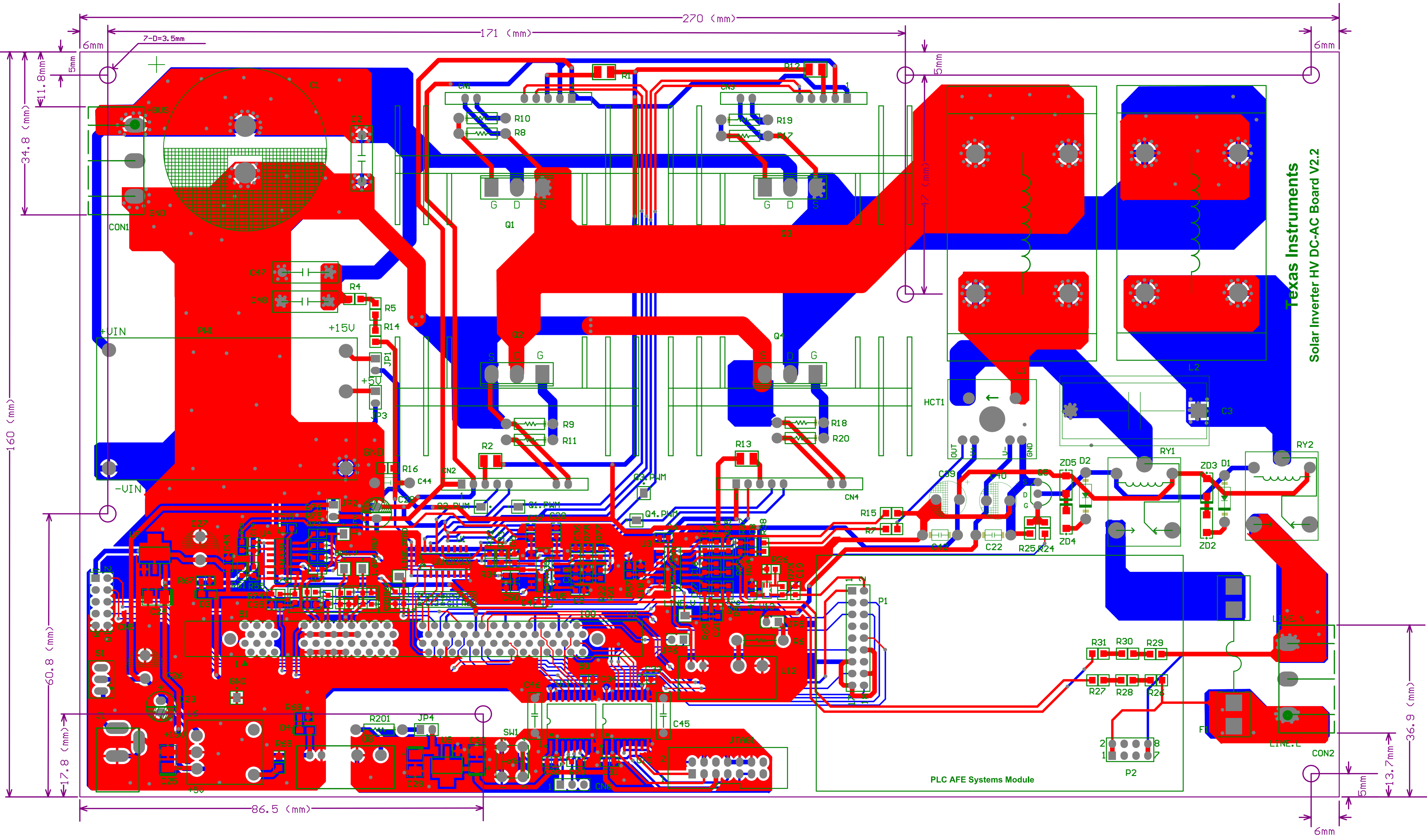


| | | |
|-------|-----------------------------------|-----------|
| Title | | |
| Size | Number | Revision |
| A4 | | |
| Date: | 2011-8-12 | Sheet of |
| File: | C:\Layout\..JTAG-USB-POWER.SchDoc | Drawn By: |

Use the HCT for current sensing



| Title | | |
|-------|-----------------------|-----------|
| Size | Number | Revision |
| A4 | | |
| Date: | 2011-8-12 | Sheet of |
| File: | C:\Layout\Main.SchDoc | Drawn By: |



Texas Instruments
Solar Inverter HV DC-AC Board V2.2

PLC AFE Systems Module

