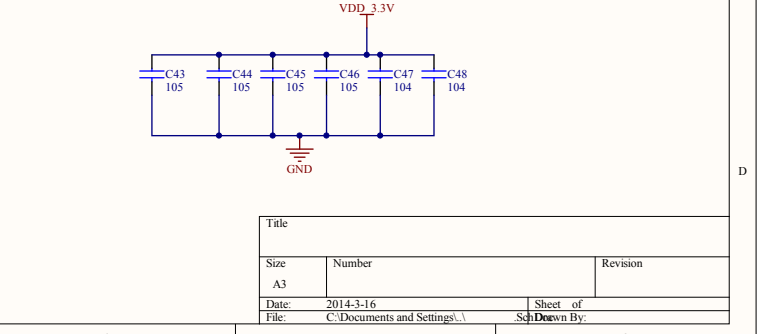
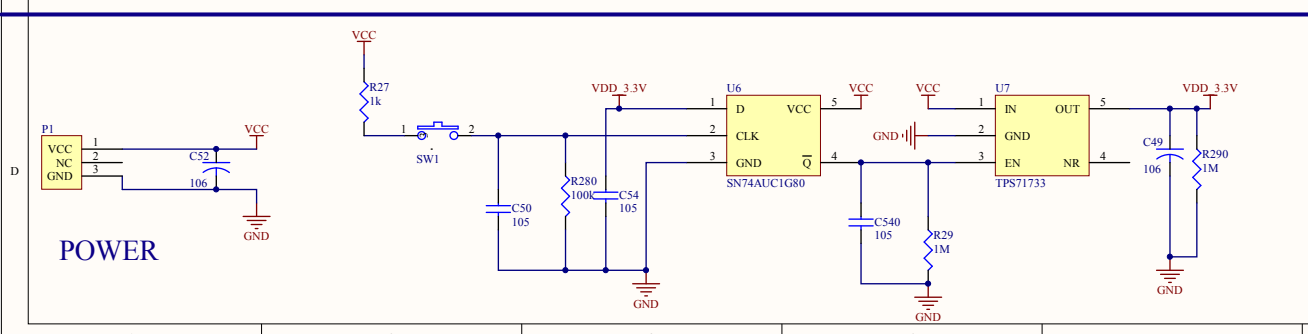
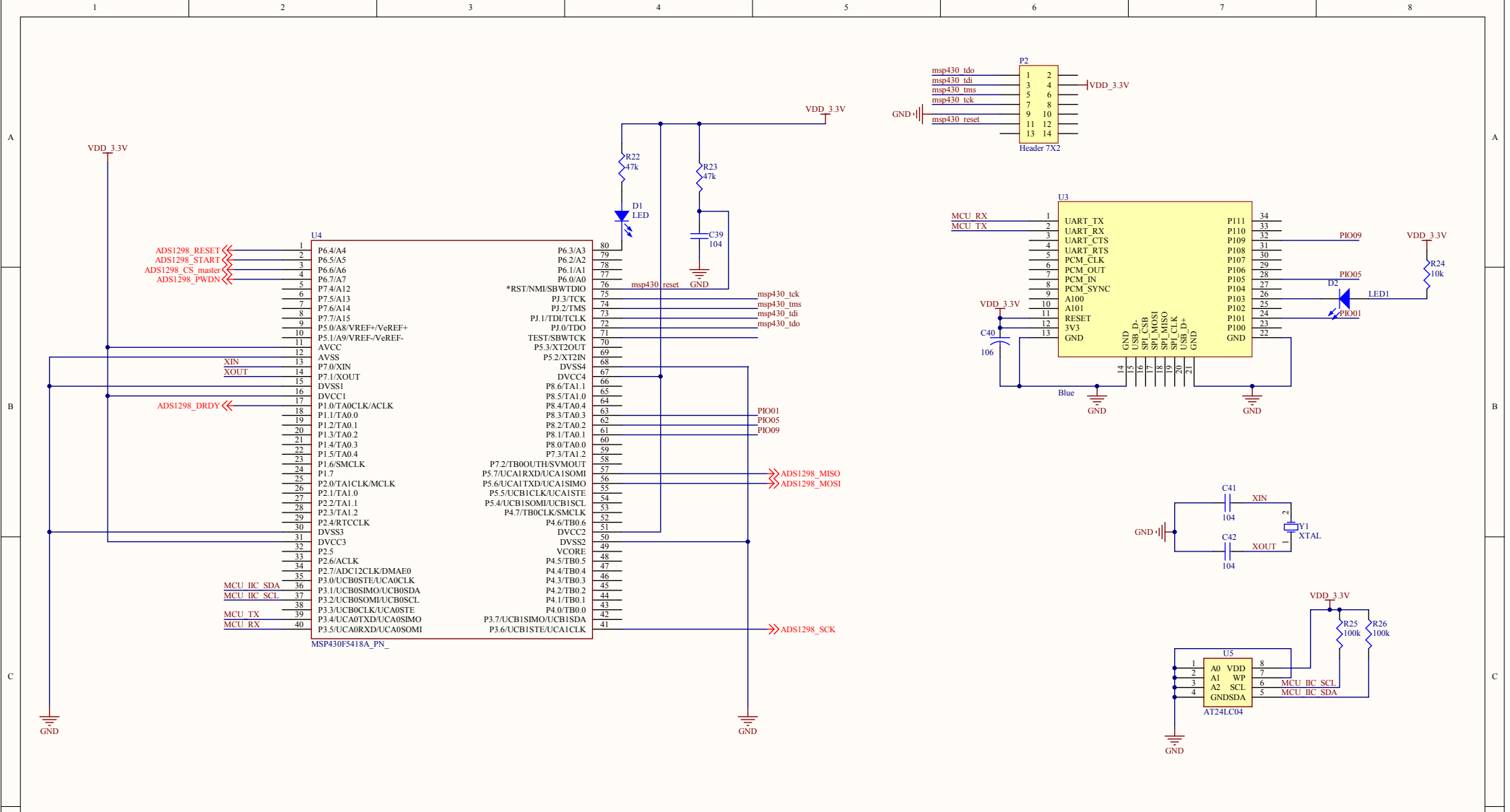


Title		
Size	Number	Revision
A3		
Date:	2014-3-16	Sheet of
File:	C:\Documents and Settings\...\.Sch	Down By:



Title		
Size	Number	Revision
A3		
Date:	2014-3-16	Sheet of
File:	C:\Documents and Settings\... \	SchDown By:

