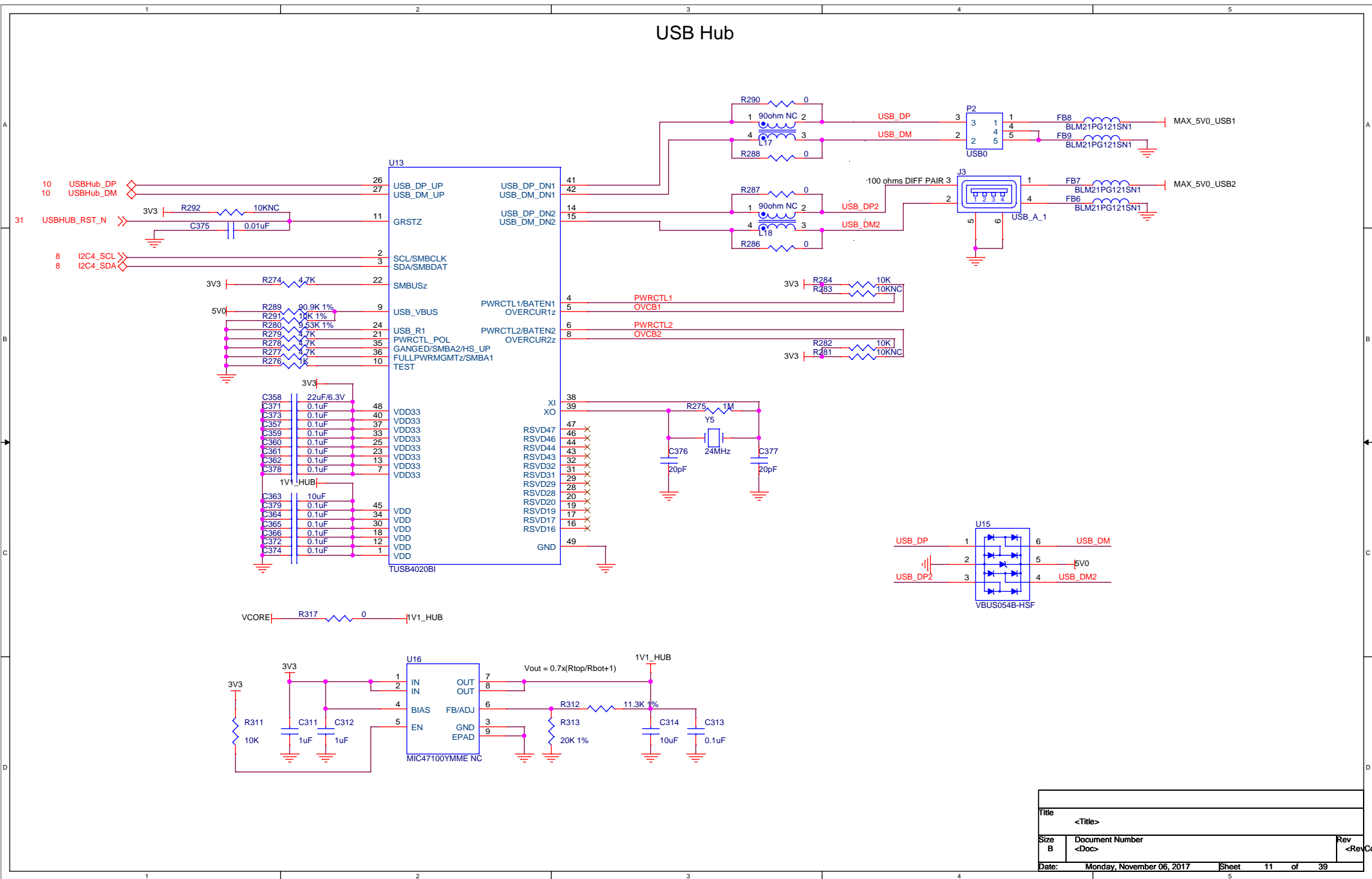


# USB Hub



Title		<Title>
Size	Document Number	Rev
B	<Doc>	<Rev Code>
Date:	Monday, November 06, 2017	Sheet 11 of 39