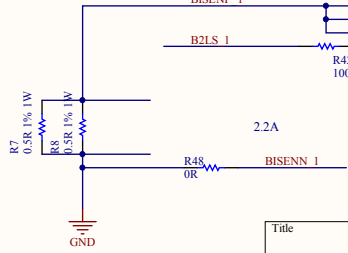
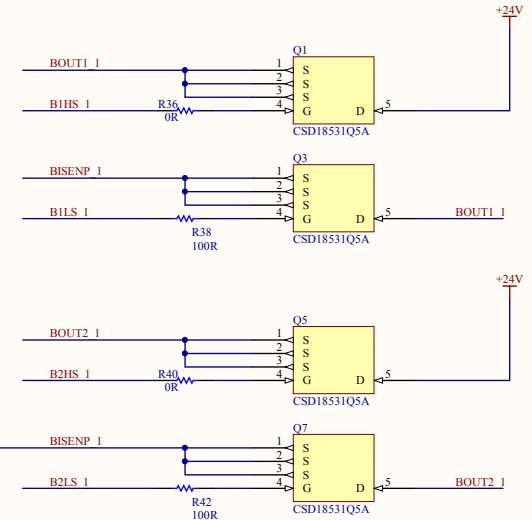
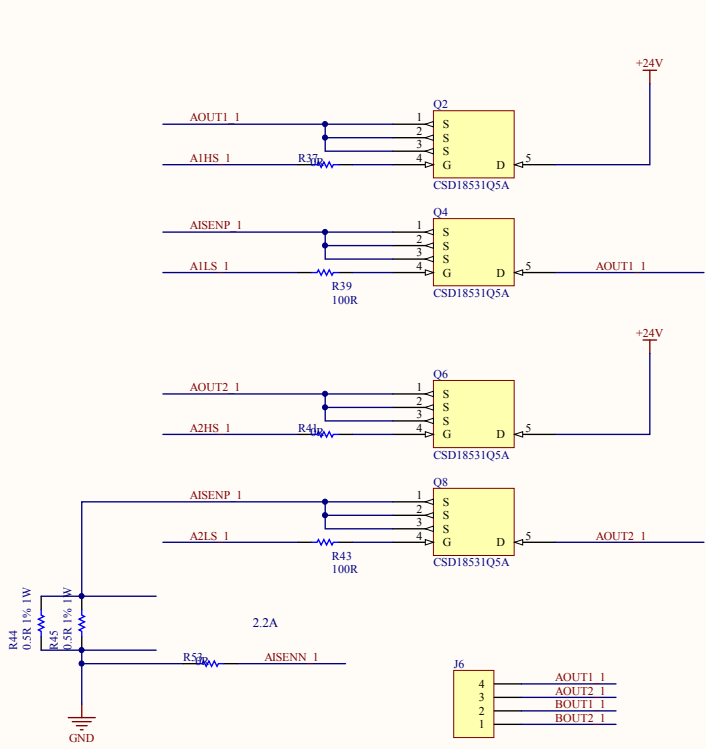
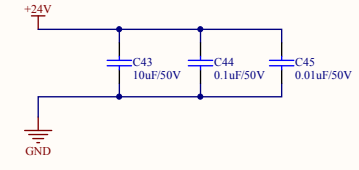
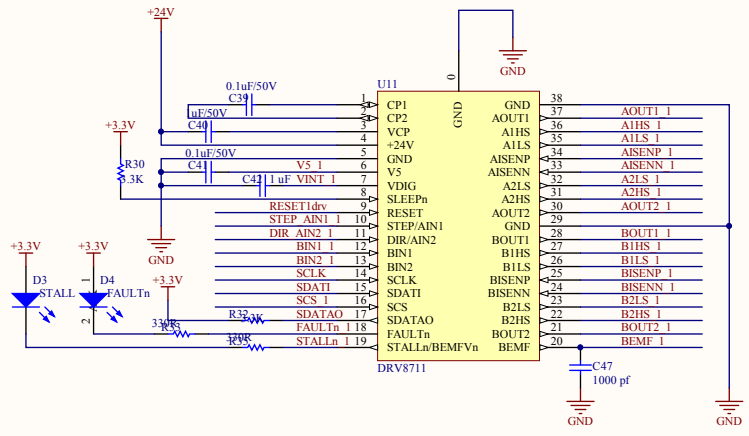


2



Title		
Size	Number	Revision
A3		
Date:	2015/5/25	Sheet of
File:	D:\WORK\U\MOTOR1.SchDoc	Drawn By: