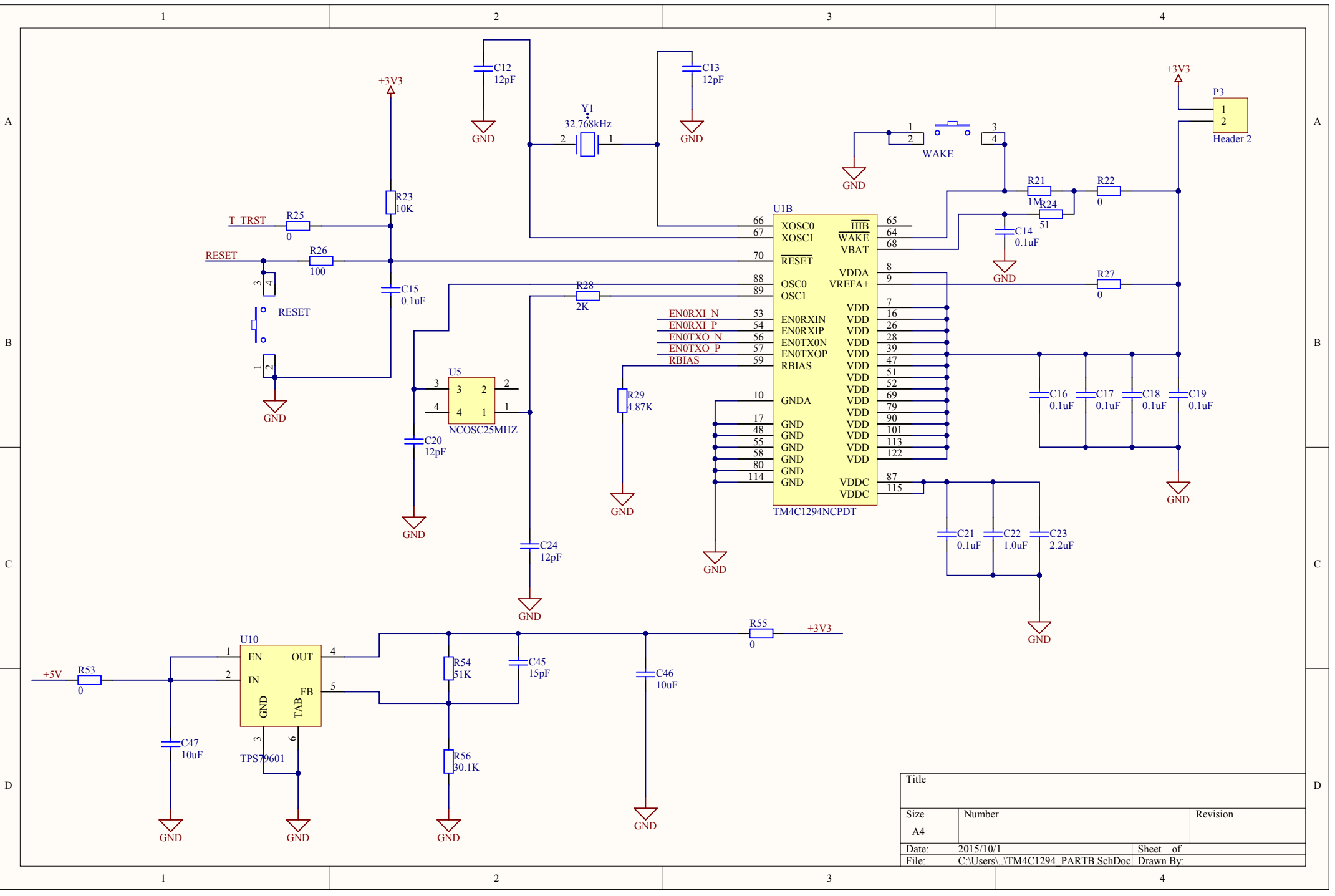


特别注意:以太网接口要放在板子边缘, 并且接口朝外

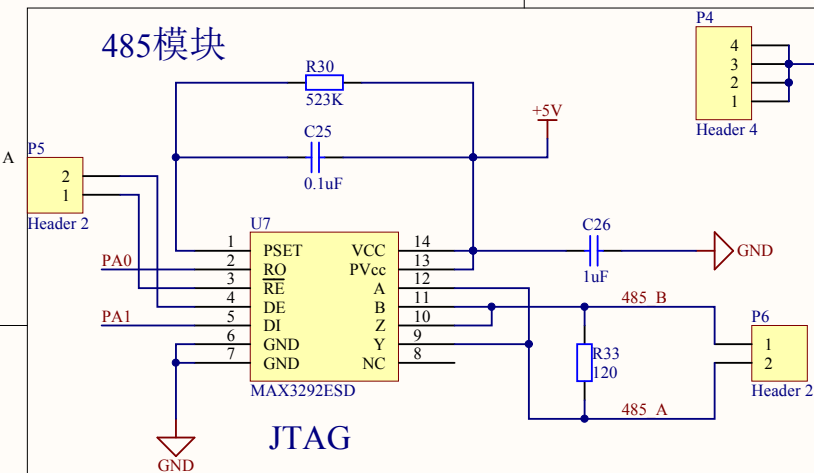
C10是高压电容, 封装是1210  
C11是高压电容, 封装是1812

Title		
Size	Number	Revision
A4		
Date:	2015/10/1	Sheet of
File:	C:\Users\...\Ethernet.SchDoc	Drawn By: Wang Maoxia OF UESTC

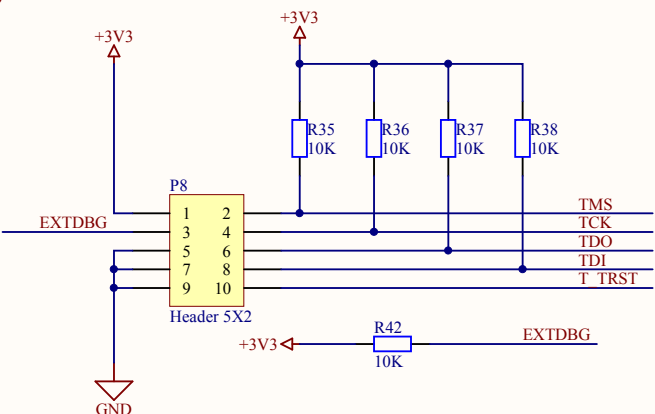


Title		
Size	Number	Revision
A4		
Date:	2015/10/1	Sheet of
File:	C:\Users\...\TM4C1294_PARTB.SchDoc	Drawn By:

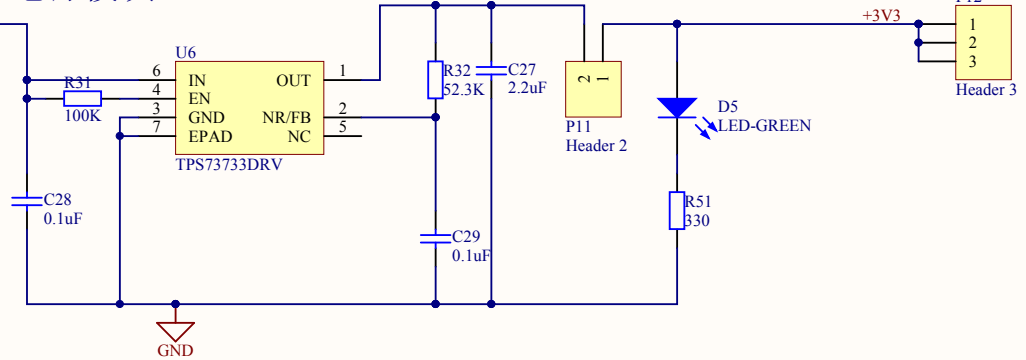
### 485模块



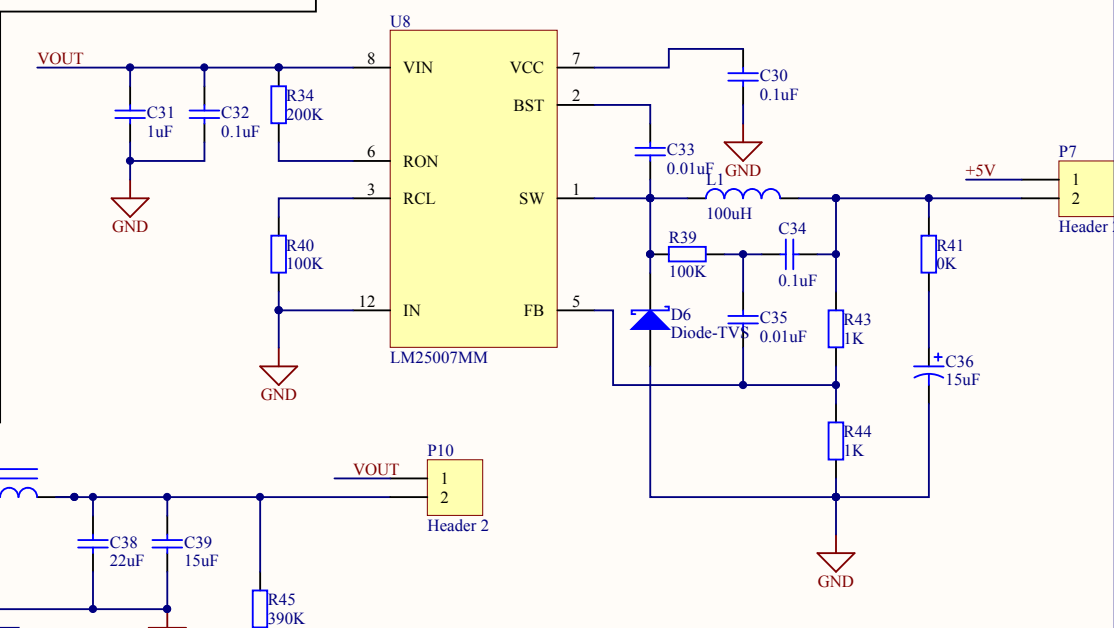
### JTAG



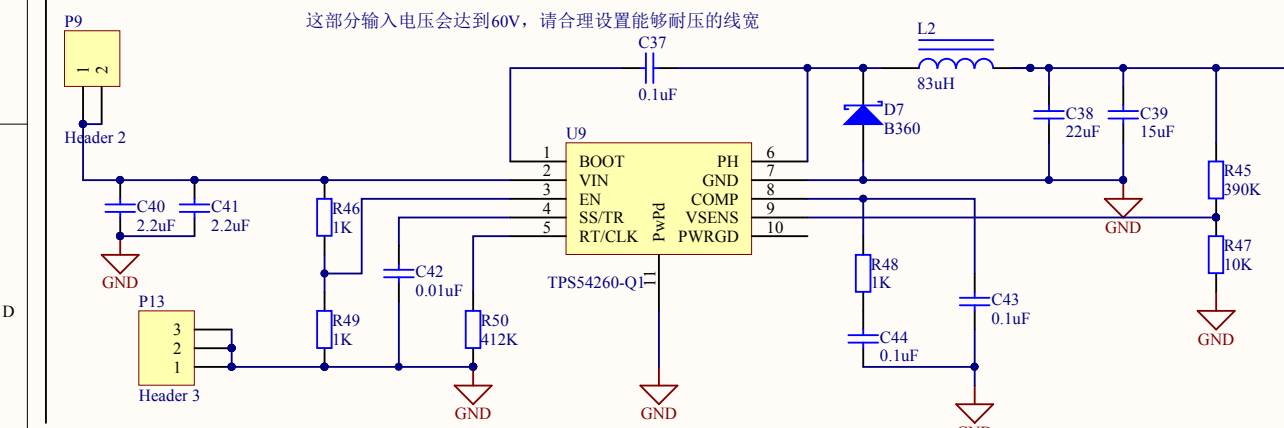
### 电源模块5V->3.3V



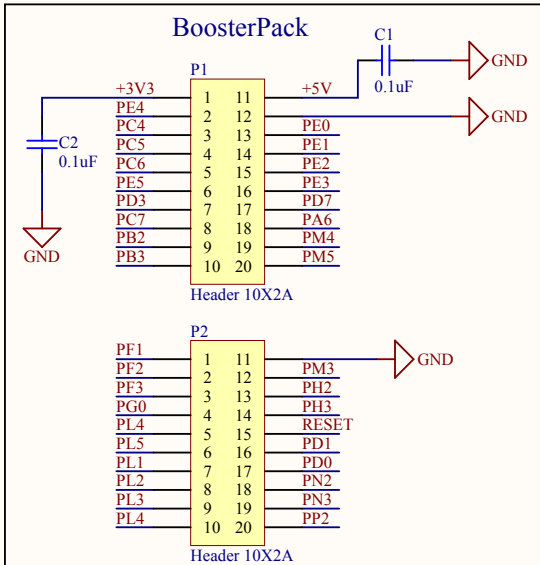
### 外部电压输入



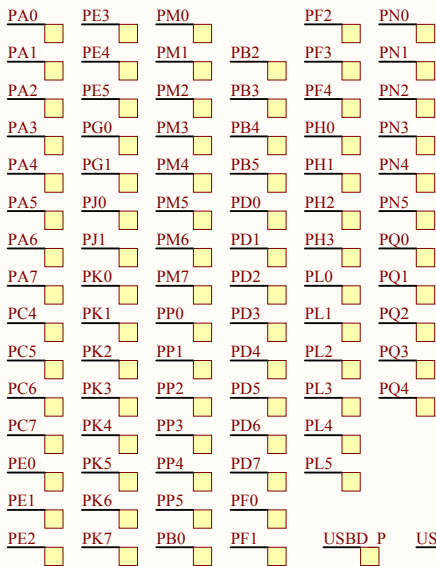
这部分输入电压会达到60V, 请合理设置能够耐压的线宽



Title		
Size	Number	Revision
A4		
Date:	2015/10/1	Sheet of
File:	C:\Users\...\485.SchDoc	Drawn By:



P1放置在左边, P2放在右边, 平行放置, 两个1脚之间的距离为43.80mm。

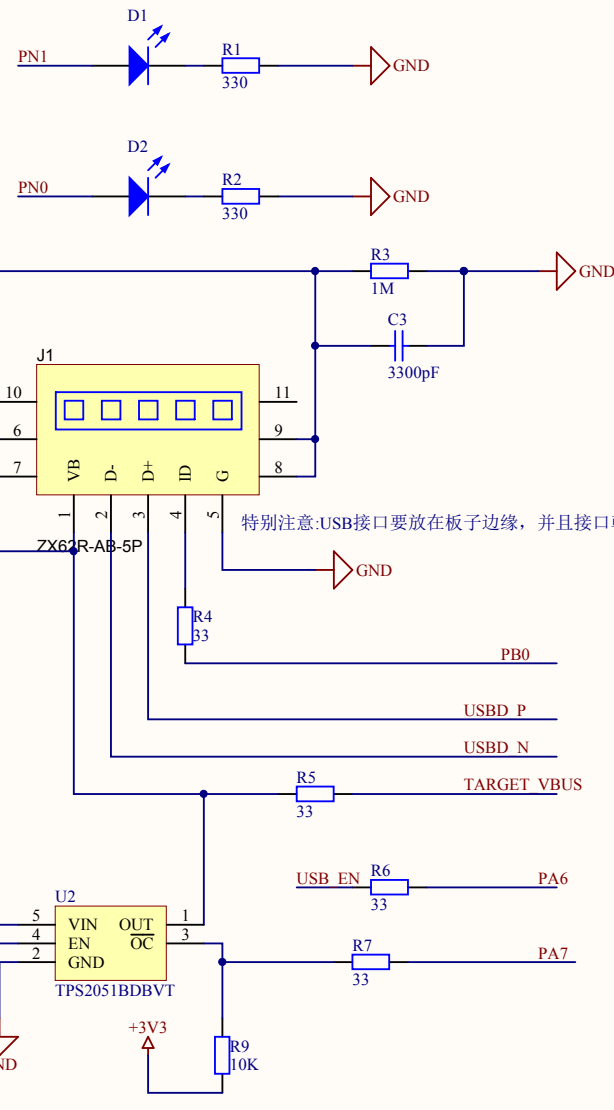
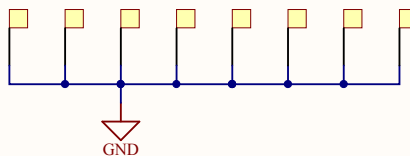


### UIA

PA0	33	PA0	95	PB0
PA1	34	PA1	96	TARGET VBUS
PA2	35	PA2	91	PB2
PA3	36	PA3	92	PB3
PA4	37	PA4	121	PB4
PA5	38	PA5	120	PB5
PA6	40	PA6		
PA7	41	PA7		
TCK	100	PC0	1	PD0
TMS	99	PC1	2	PD1
TDI	98	PC2	3	PD2
TDO	97	PC3	4	PD3
PC4	25	PC4	125	PD4
PC5	24	PC5	126	PD5
PC6	23	PC6	127	PD6
PC7	22	PC7	128	PD7
PE0	15	PE0	42	PF0
PE1	14	PE1	43	PF1
PE2	13	PE2	44	PF2
PE3	12	PE3	45	PF3
PE4	123	PE4	46	PF4
PE5	124	PE5		
PG0	49	PH0	29	PH0
PG1	50	PH1	30	PH1
PJ0	116	PH2	31	PH2
PJ1	117	PH3	32	PH3
PK0	18	PL0	81	PL0
PK1	19	PL1	82	PL1
PK2	20	PL2	83	PL2
PK3	21	PL3	84	PL3
PK4	63	PL4	85	PL4
PK5	62	PL5	86	PL5
PK6	61	PL6	94	USB D P
PK7	60	PL7	93	USB D N
PM0	78	PN0	107	PN0
PM1	77	PN1	108	PN1
PM2	76	PN2	109	PN2
PM3	75	PN3	110	PN3
PM4	74	PN4	111	PN4
PM5	73	PN5	112	PN5
PM6	72			
PM7	71			
PP0	118	PQ0	5	PQ0
PP1	119	PQ1	6	PQ1
PP2	103	PQ2	11	PQ2
PP3	104	PQ3	27	PQ3
PP4	105	PQ4	102	PQ4
PP5	106			

UIA的每一个引脚都要引出成两列放在板子的边缘部位

小方块代表测试点, 做成插针的形式的封装



Title		
TM4C1294NCPDT_MCU		
Size	Number	Revision
A4		
Date:	2015/10/1	Sheet of
File:	C:\Users\Sch...TM4C1294NCPDT_MCU.SchDoc	Down By: Wang Maoxia OF UESTC

